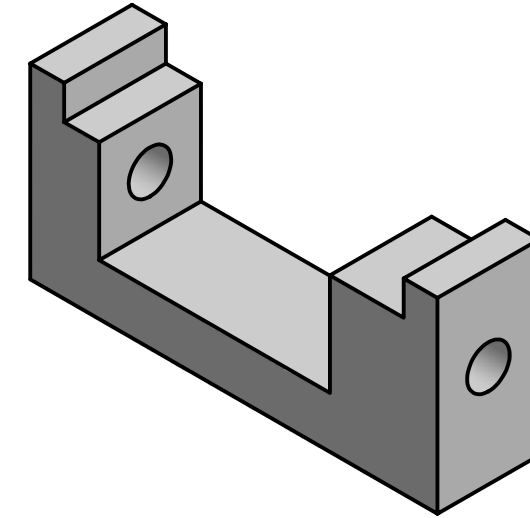
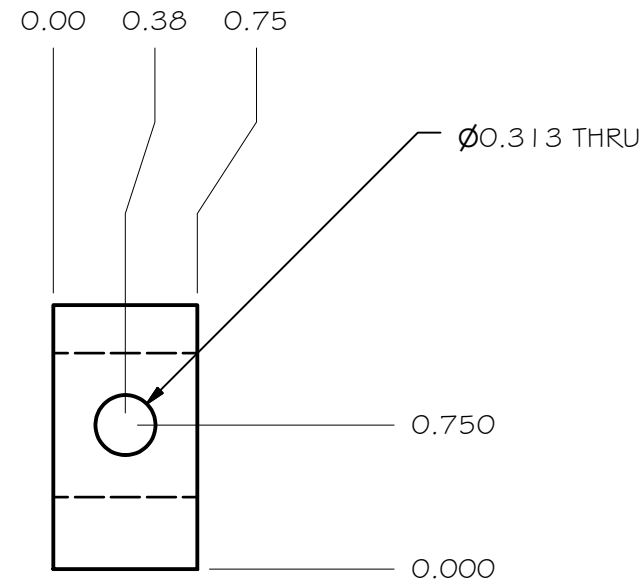
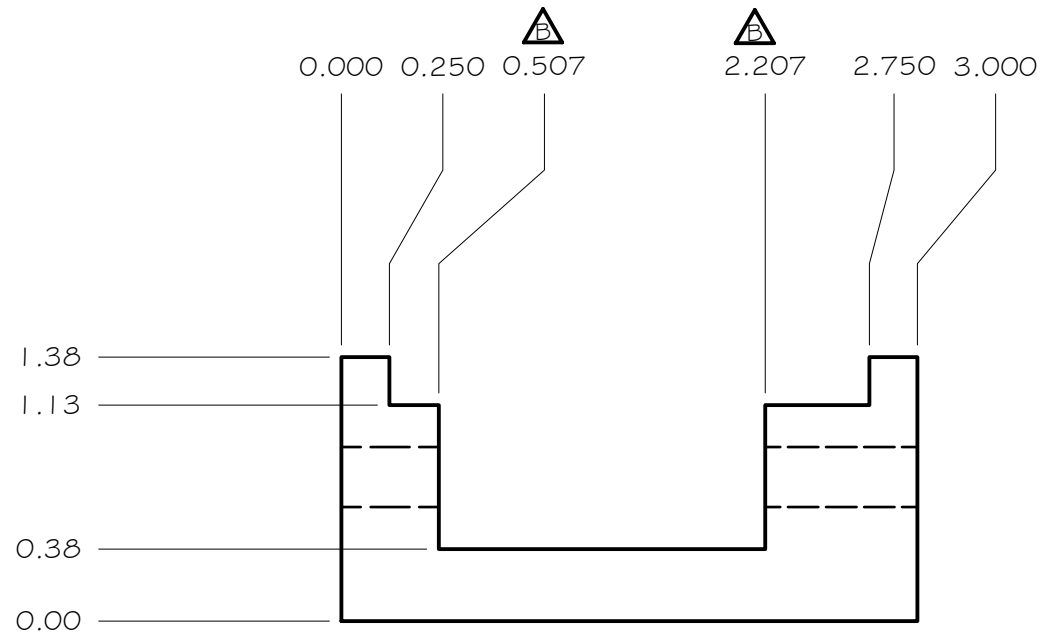


REV	DRWN	CHK'D	DATE	DESCRIPTION
B	VRW	VRW	7/1/05	REVISE TO AS BUILT STRAPS



TOLERANCES UNLESS OTHERWISE NOTED:  
 FRACTIONAL: 0"-6": ±1/64" 6"-24": ±1/32"  
 24"+: ±1/16"  
 DECIMAL: X.X: ±0.1000" X.XX: ±0.0100"  
 X.XXX: ±0.0050" X.XXXX: ±0.0001"  
 ANGLES: ±0.5° FINISH: 125 MICRO INCHES  
 BREAK ALL SHARP EDGES & CORNERS 1/64" MAX

MATERIAL: ALUMINUM  
 FINISH:



DRAWN: vernon  
 CHECKED:  
 DESIGNED: vernon  
 ENGINEER: VRW

QTY: 2

1/20/2005 Sol-Gel Facility

TITLE: ADC SAFETY, LONG

PROJECT CODE: SG4100  
 DWG NO: SG4109  
 REV: A