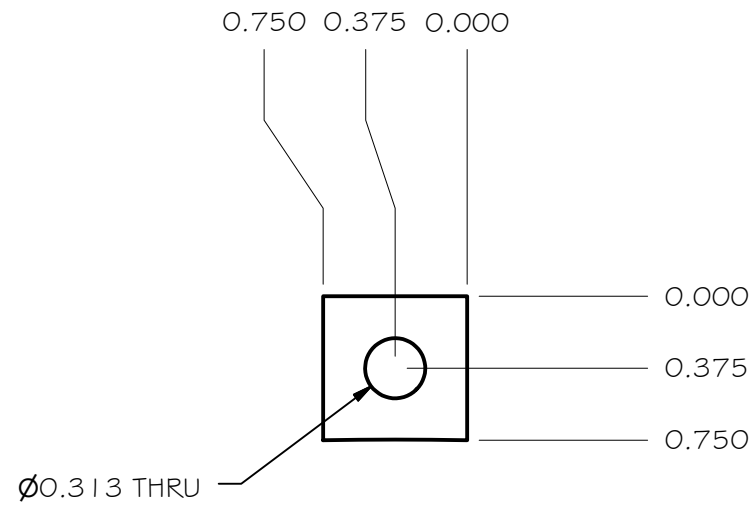
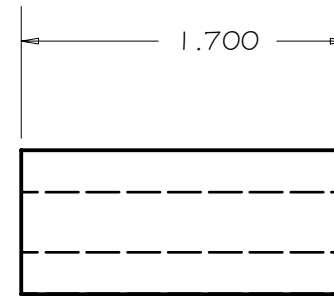


REV	DRWN	CHK'D	DATE	DESCRIPTION



SCALE 1 : 1



TOLERANCES UNLESS OTHERWISE NOTED:
 FRACTIONAL: 0"-6": ±1/64" 6"-24": ±1/32"
 24"+: ±1/16"
 DECIMAL: X.X: ±0.1000" X.XX: ±0.0100"
 X.XXX: ±0.0050" X.XXXX: ±0.0001"
 ANGLES: ±0.5° FINISH: 125 MICRO INCHES
 BREAK ALL SHARP EDGES & CORNERS 1/64" MAX



DRAWN	vernon	1/7/2005	Sol-Gel Facility	
CHECKED				
DESIGNED	vernon		TITLE	
ENGINEER	VRW		ADC BLOCK, LONG	
MATERIAL	SS	FINISH	PROJECT CODE	DWG NO
			SG4103	SG4108
			QTY: 1	REV A

4

3

2

1

4

3

2

1

B

B

A

A