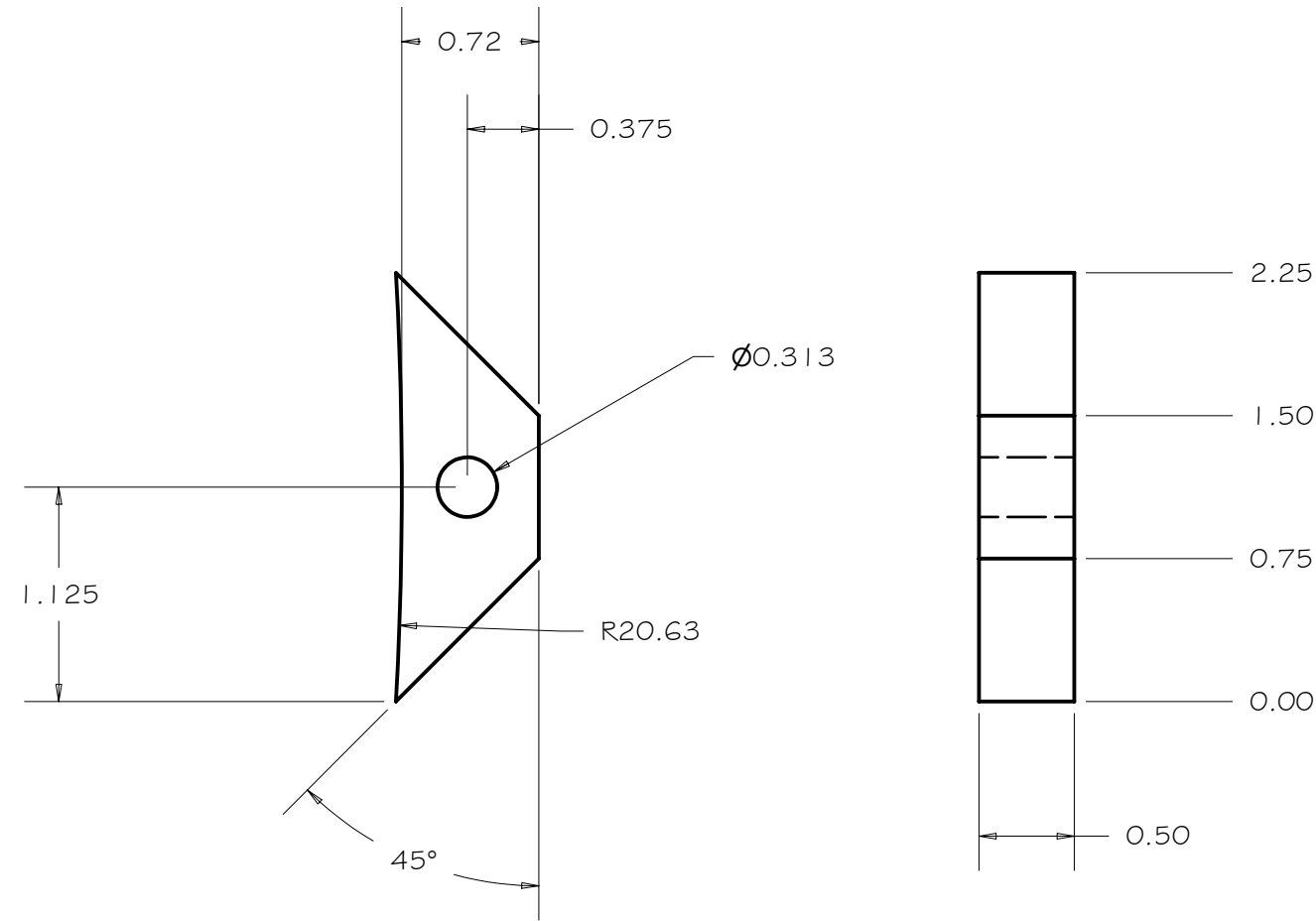
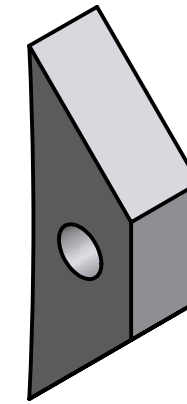


REV	DRWN	CHK'D	DATE	DESCRIPTION



TOLERANCES UNLESS OTHERWISE NOTED:
 FRACTIONAL: 0"-6": $\pm 1/64"$ 6"-24": $\pm 1/32"$
 24"+: $\pm 1/16"$
 DECIMAL: X.X: $\pm 0.1000"$ X.XX: $\pm 0.0100"$
 X.XXX: $\pm 0.0050"$ X.XXXX: $\pm 0.0001"$
 ANGLES: $\pm 0.5^\circ$ FINISH: 125 MICRO INCHES
 BREAK ALL SHARP EDGES & CORNERS 1/64" MAX



DRAWN	vernon	1/20/2005	Sol-Gel Facility	
CHECKED				
DESIGNED	vernon		TITLE	
ENGINEER	VRW		ADC BLOCK, SHORT	
MATERIAL	304 SS	FINISH	PROJECT CODE	DWG NO
			SG4103	SG4107
			QTY: 1	REV A

4

3

2

1

4

3

2

1

B

B

A

A