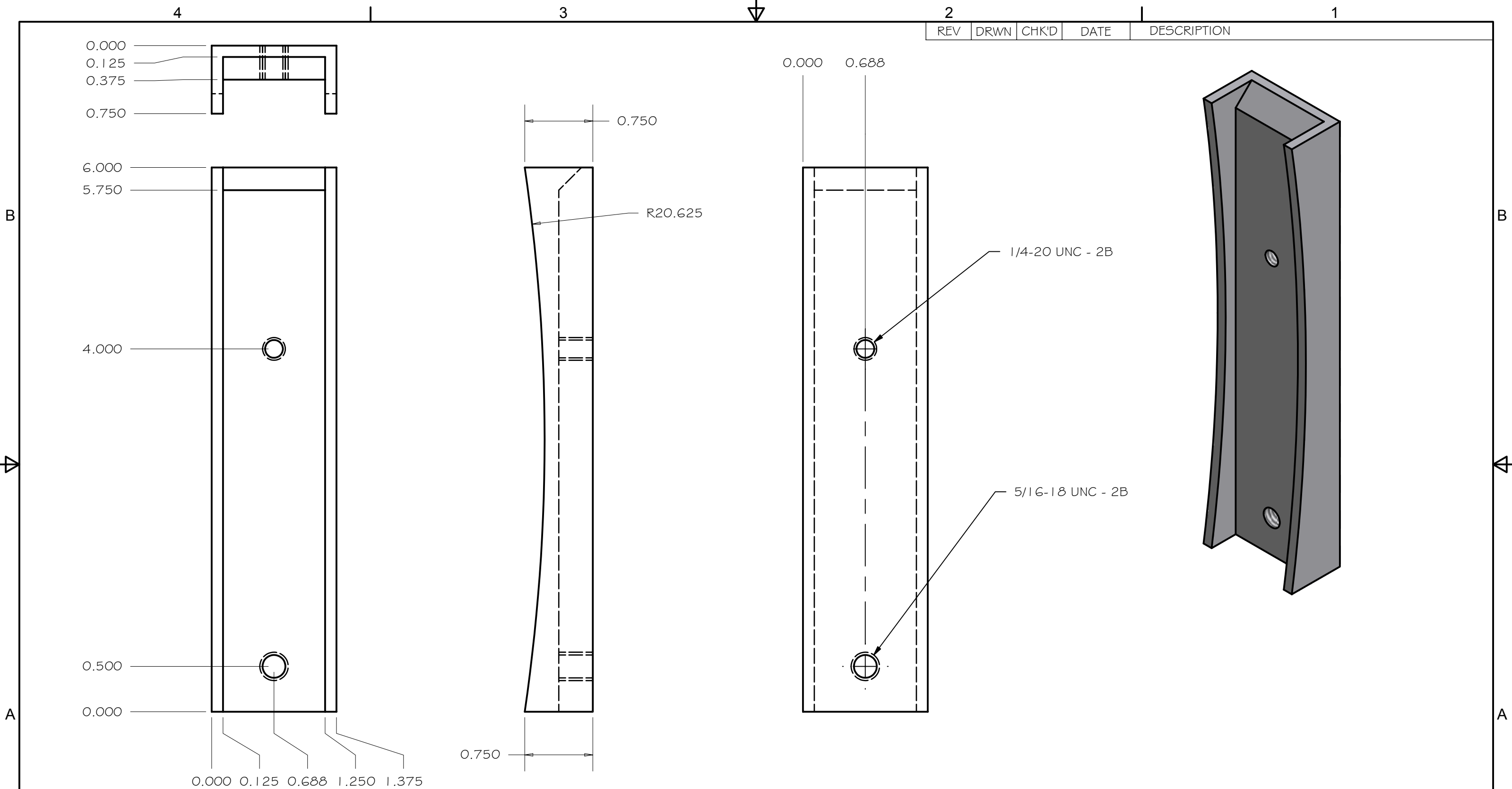


REV	DRWN	CHK'D	DATE	DESCRIPTION
-----	------	-------	------	-------------



TOLERANCES UNLESS OTHERWISE NOTED:
 FRACTIONAL: 0"-6": ±1/64" 6"-24": ±1/32"
 24"+: ±1/16"
 DECIMAL: X.X: ±0.1000" X.XX: ±0.0100"
 X.XXX: ±0.0050" X.XXXX: ±0.0001"
 ANGLES: ±0.5° FINISH: 125 MICRO INCHES
 BREAK ALL SHARP EDGES & CORNERS 1/64" MAX

MATERIAL	FINISH
304 SS	



DRAWN	vernon	1/14/2005	Sol-Gel Facility
CHECKED			
DESIGNED	vernon		TITLE
ENGINEER	VRW		ADC STRAP MOUNT
MATERIAL		QTY: 2	PROJECT CODE
304 SS			SG4103
FINISH			DWG NO
			SG4102
			REV
			A