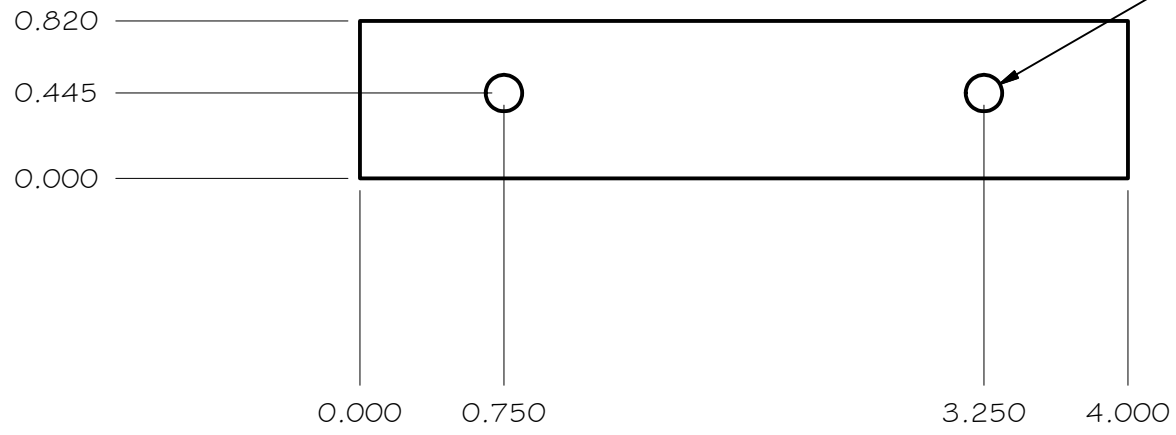
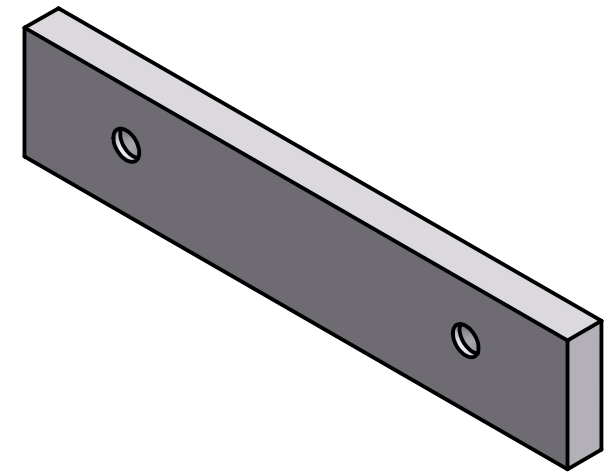
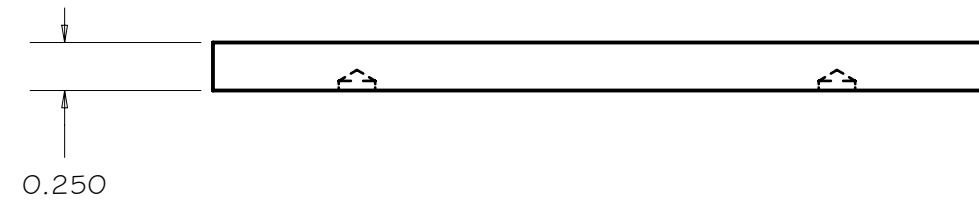


| REV | DRWN | CHK'D | DATE | DESCRIPTION |
|-----|------|-------|------|-------------|
| | | | | |



2X \varnothing 0.190 ∇ 0.050

TOLERANCES UNLESS OTHERWISE NOTED:
 FRACTIONAL: 0"-6": $\pm 1/64"$ 6"-24": $\pm 1/32"$
 24"+: $\pm 1/16"$
 DECIMAL: X.X: $\pm 0.1000"$ X.XX: $\pm 0.0100"$
 X.XXX: $\pm 0.0050"$ X.XXXX: $\pm 0.0001"$
 ANGLES: $\pm 0.5^\circ$ FINISH: 125 MICRO INCHES
 BREAK ALL SHARP EDGES & CORNERS 1/64" MAX



| | | |
|----------|--------|-----------|
| DRAWN | vernon | 2/16/2005 |
| CHECKED | | |
| DESIGNED | vernon | |
| ENGINEER | vernon | |

| | | | |
|--------------|--|--------|-----|
| PROJECT CODE | | DWG NO | REV |
| NEXT ASSY | | A8096 | A |
| A8090 | | | 1 |

Cassegrain ADC
 CLAMP PLATE

| | |
|----------|--------|
| MATERIAL | FINISH |
| ALUMINUM | |

QTY: 1

