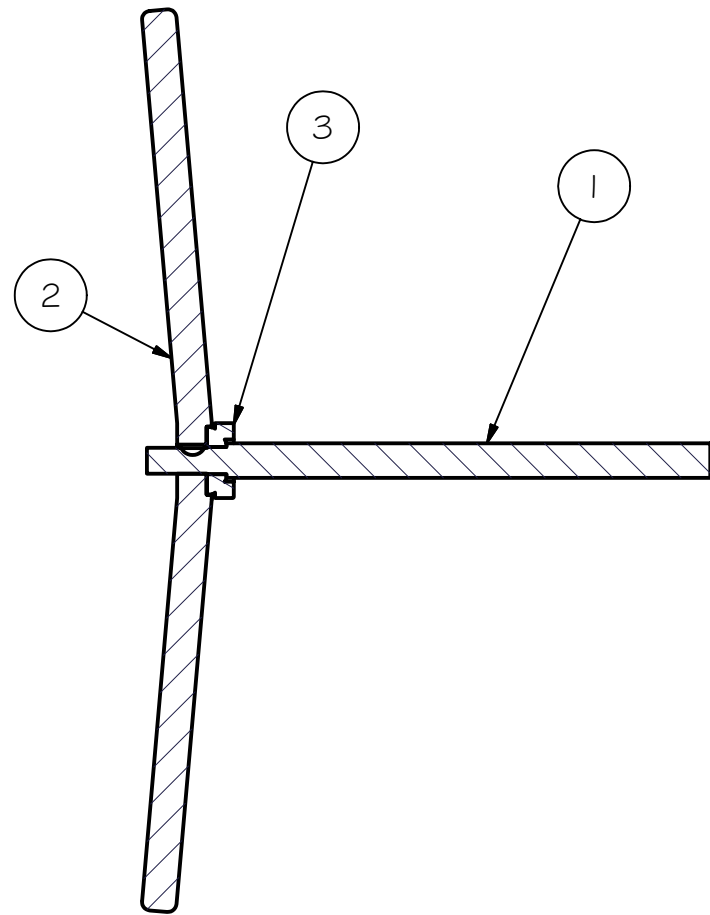
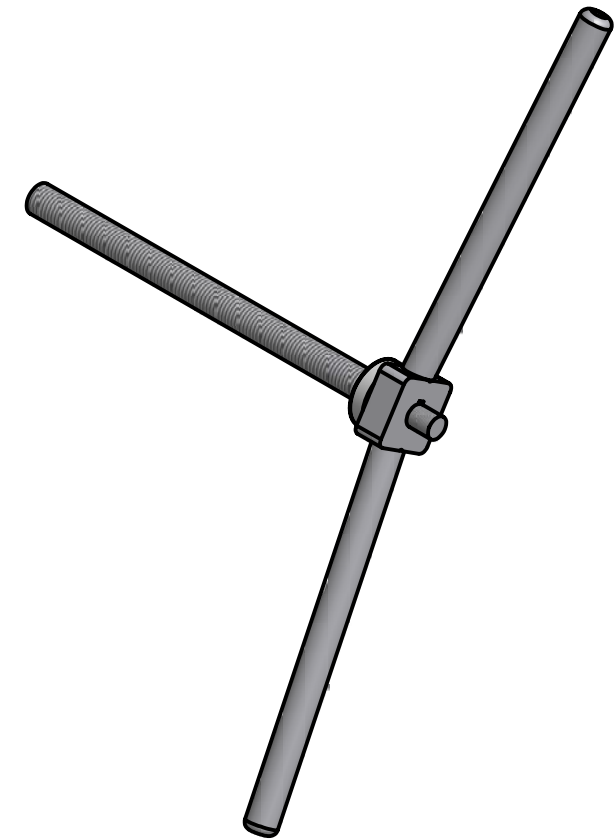
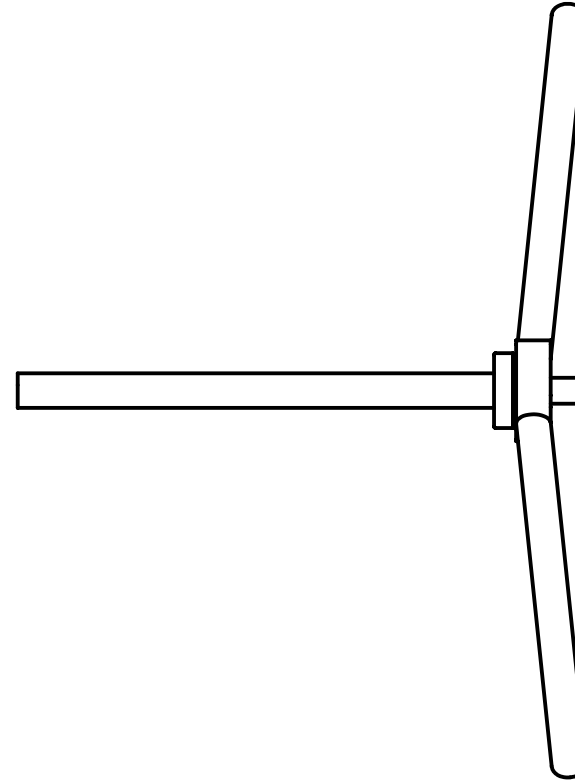
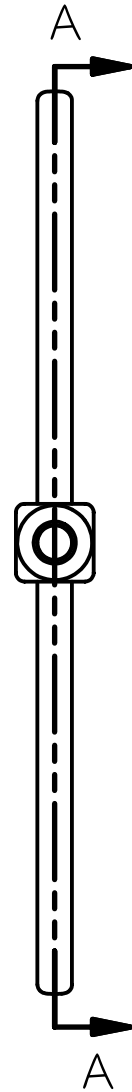


REV	DRWN	CHK'D	DATE	DESCRIPTION
B	VRW	VRW	5/19/04	STIFFEN ASSEMBLY



SECTION A-A  
SCALE 0.18 : 1

- ASSEMBLY WITH:
- 1) 3/16 X 3/4 WOODRUFF KEY
  - 2) 3/4-16 UNF LOCK NUT



Parts List			
ITEM	QTY	PART NUMBER	DESCRIPTION
1	1	A5031	ACME SCREW
2	1	A5032	ACME HANDLE
3	1	SKF GX 20 F	SPHERICAL THRUST BEARING

TOLERANCES UNLESS OTHERWISE NOTED:  
 FRACTIONAL: 0"-6": ±1/64" 6"-24": ±1/32"  
 24"+: ±1/16"  
 DECIMAL: X.X: ±0.1000" X.XX: ±0.0100"  
 X.XXX: ±0.0050" X.XXXX: ±0.0001"  
 ANGLES: ±0.5° FINISH: 125 MICRO INCHES  
 BREAK ALL SHARP EDGES & CORNERS 1/64" MAX

MATERIAL	FINISH



DRAWN	vernon	3/29/2004
CHECKED		
DESIGNED	vernon	
ENGINEER	vernon	

QTY: 1
--------

Cassegrain ADC	
TITLE ACME SCREW ASSEMBLY	
PROJECT CODE A5001	DWG NO A5030
REV B	1/1