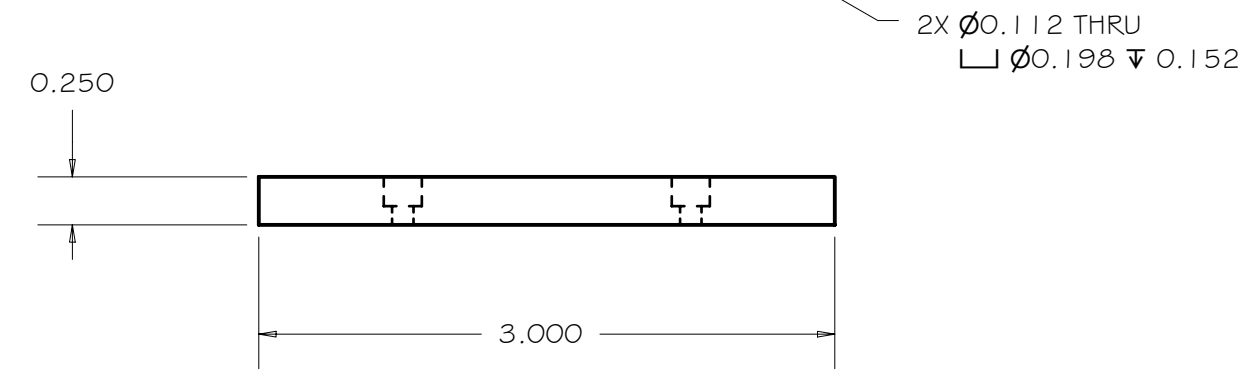
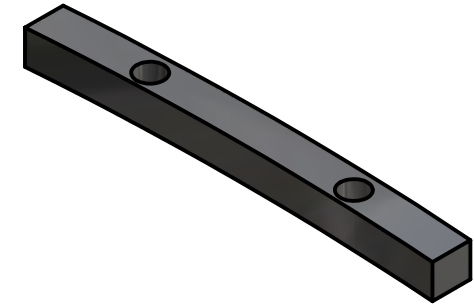
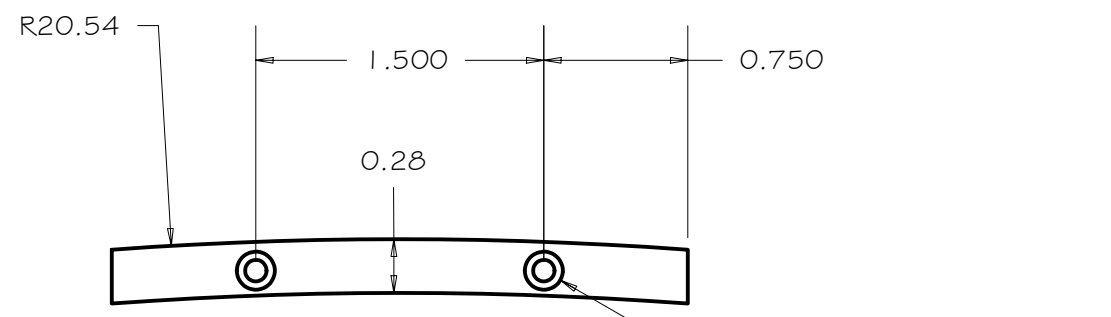


REV	DRWN	CHK'D	DATE	DESCRIPTION



2X $\varnothing 0.112$ THRU
 $\sqsubset \varnothing 0.198 \nabla 0.152$

SCALE 1 : 1

TOLERANCES UNLESS OTHERWISE NOTED:
 FRACTIONAL: 0"-6": $\pm 1/64"$ 6"-24": $\pm 1/32"$
 24"+: $\pm 1/16"$
 DECIMAL: X.X: $\pm 0.1000"$ X.XX: $\pm 0.0100"$
 X.XXX: $\pm 0.0050"$ X.XXXX: $\pm 0.0001"$
 ANGLES: $\pm 0.5^\circ$ FINISH: 125 MICRO INCHES
 BREAK ALL SHARP EDGES & CORNERS 1/64" MAX



DRAWN	vernon	2/23/2004
CHECKED		
DESIGNED	vernon	
ENGINEER	vernon	
QTY: 3		

PROJECT CODE		DWG NO	REV
NEXT ASSY		A2060	A
A2002			1

Cassegrain ADC

AXIAL SSPACER, AFT

