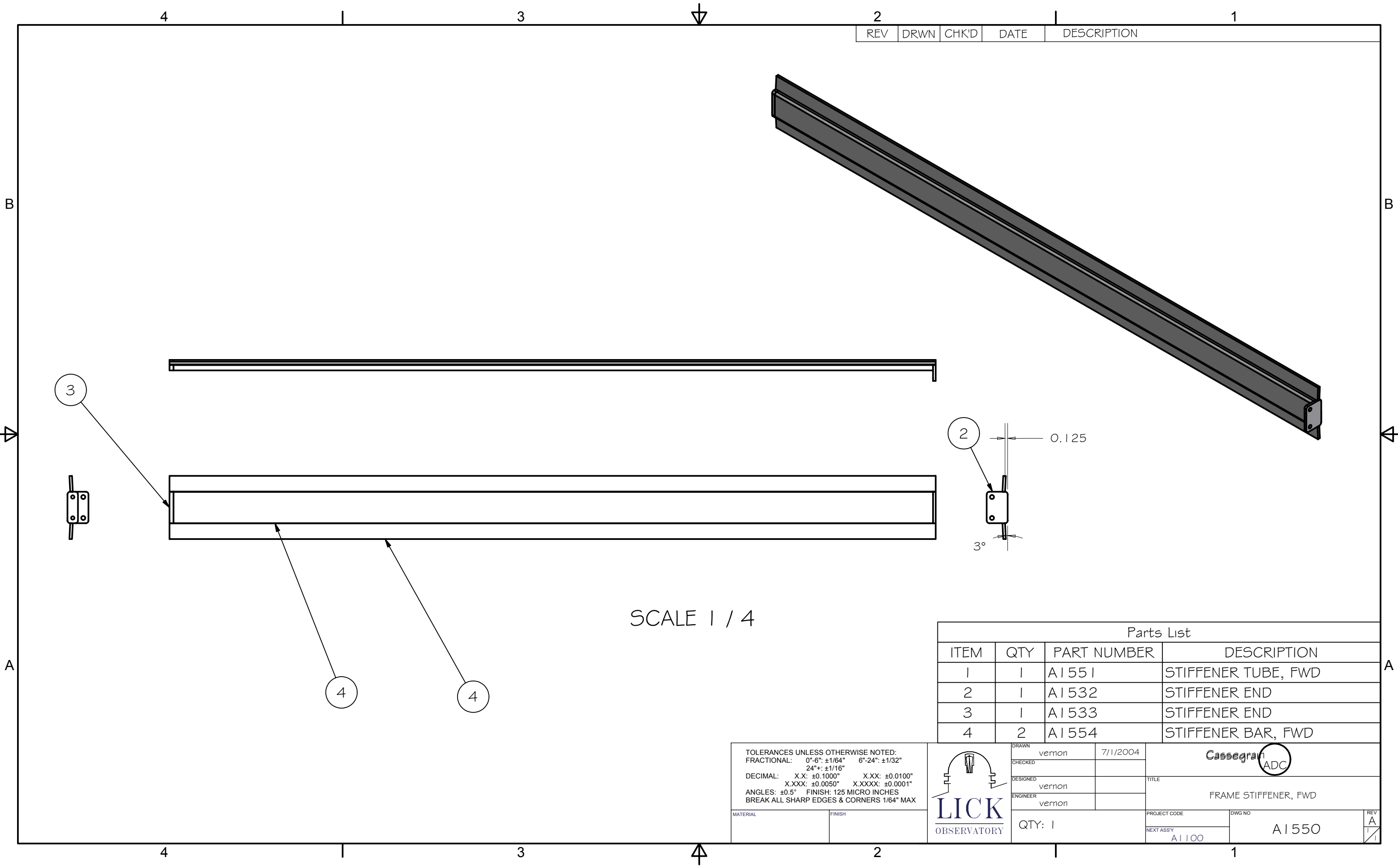


REV	DRWN	CHK'D	DATE	DESCRIPTION
-----	------	-------	------	-------------

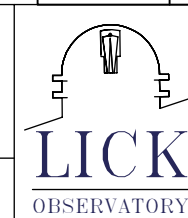


SCALE 1 / 4

Parts List			
ITEM	QTY	PART NUMBER	DESCRIPTION
1	1	A1551	STIFFENER TUBE, FWD
2	1	A1532	STIFFENER END
3	1	A1533	STIFFENER END
4	2	A1554	STIFFENER BAR, FWD

TOLERANCES UNLESS OTHERWISE NOTED:
 FRACTIONAL: 0"-6": ±1/64" 6"-24": ±1/32"
 24"+: ±1/16"
 DECIMAL: X.X: ±0.1000" X.XX: ±0.0100"
 X.XXX: ±0.0050" X.XXXX: ±0.0001"
 ANGLES: ±0.5° FINISH: 125 MICRO INCHES
 BREAK ALL SHARP EDGES & CORNERS 1/64" MAX

MATERIAL	FINISH
----------	--------



DRAWN	vernon	7/1/2004
CHECKED		
DESIGNED	vernon	
ENGINEER	vernon	

PROJECT CODE		DWG NO	REV
NEXT ASSY		A1550	A
A1100			1

Cassegrain ADC

FRAME STIFFENER, FWD

QTY: 1