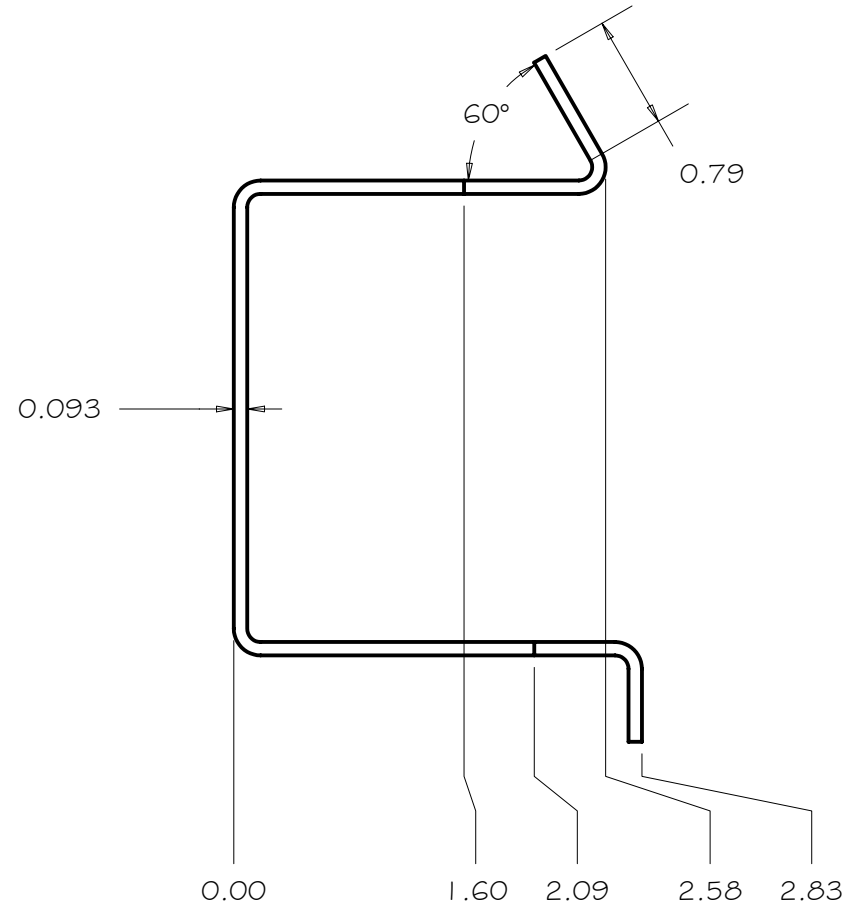
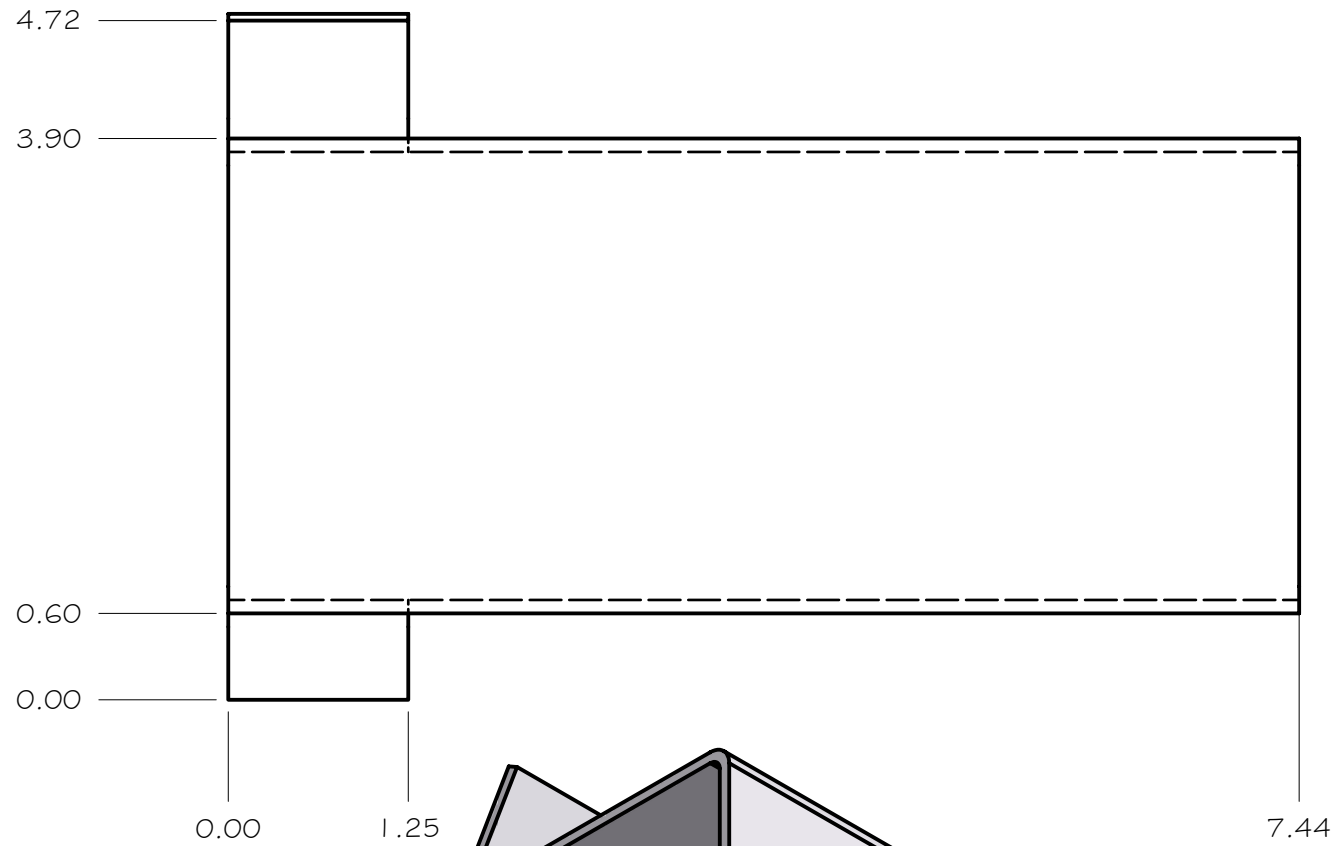
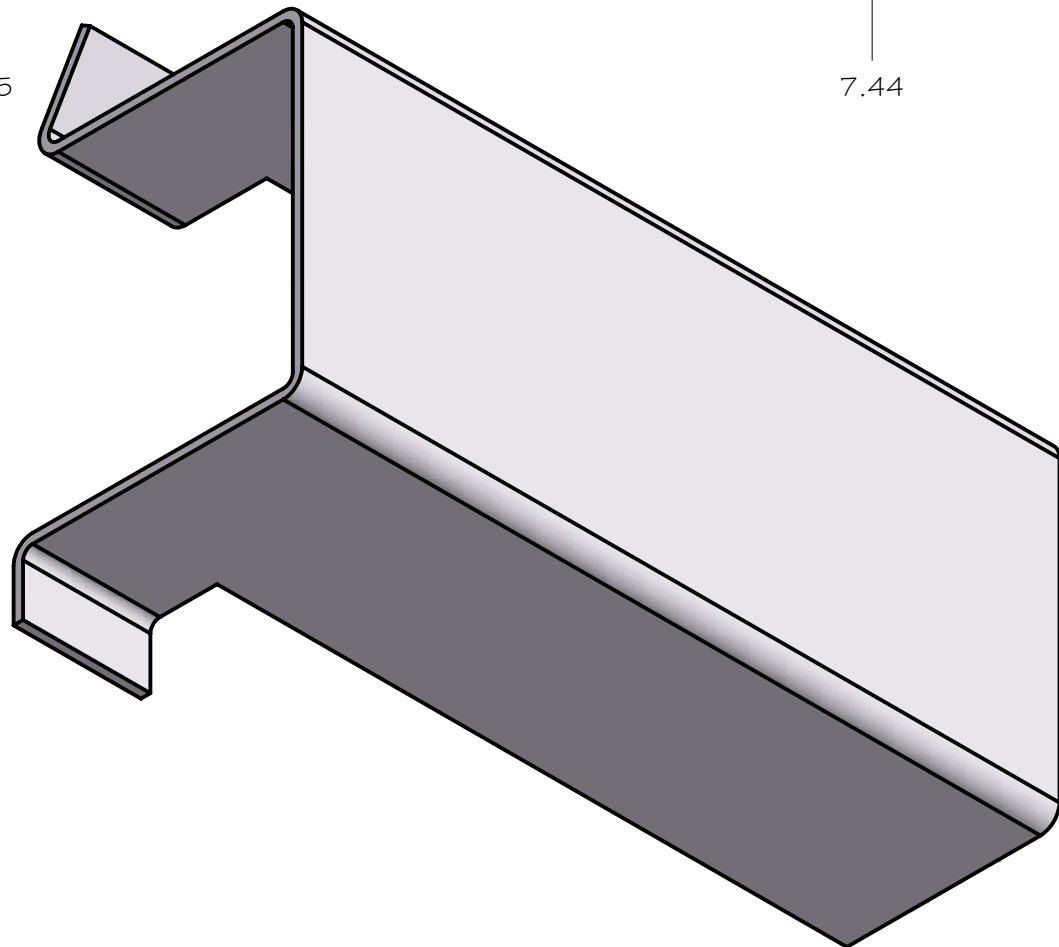


REV	DRWN	CHK'D	DATE	DESCRIPTION
-----	------	-------	------	-------------



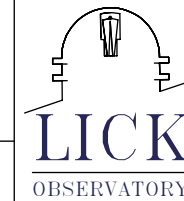
SCALE 3 / 4



TOLERANCES UNLESS OTHERWISE NOTED:
 FRACTIONAL: 0"-6": ±1/64" 6"-24": ±1/32"
 24"+: ±1/16"
 DECIMAL: X.X: ±0.1000" X.XX: ±0.0100"
 X.XXX: ±0.0050" X.XXXX: ±0.0001"
 ANGLES: ±0.5° FINISH: 125 MICRO INCHES
 BREAK ALL SHARP EDGES & CORNERS 1/64" MAX

MATERIAL
 6061 T6
 ALUMINUM

FINISH



DRAWN: vernon 12/22/2004
 CHECKED:
 DESIGNED: vernon
 ENGINEER: vernon

QTY: 1

PROJECT CODE: A1527
 DWG NO: A1541
 TITLE: COVER
 REV A 1/2



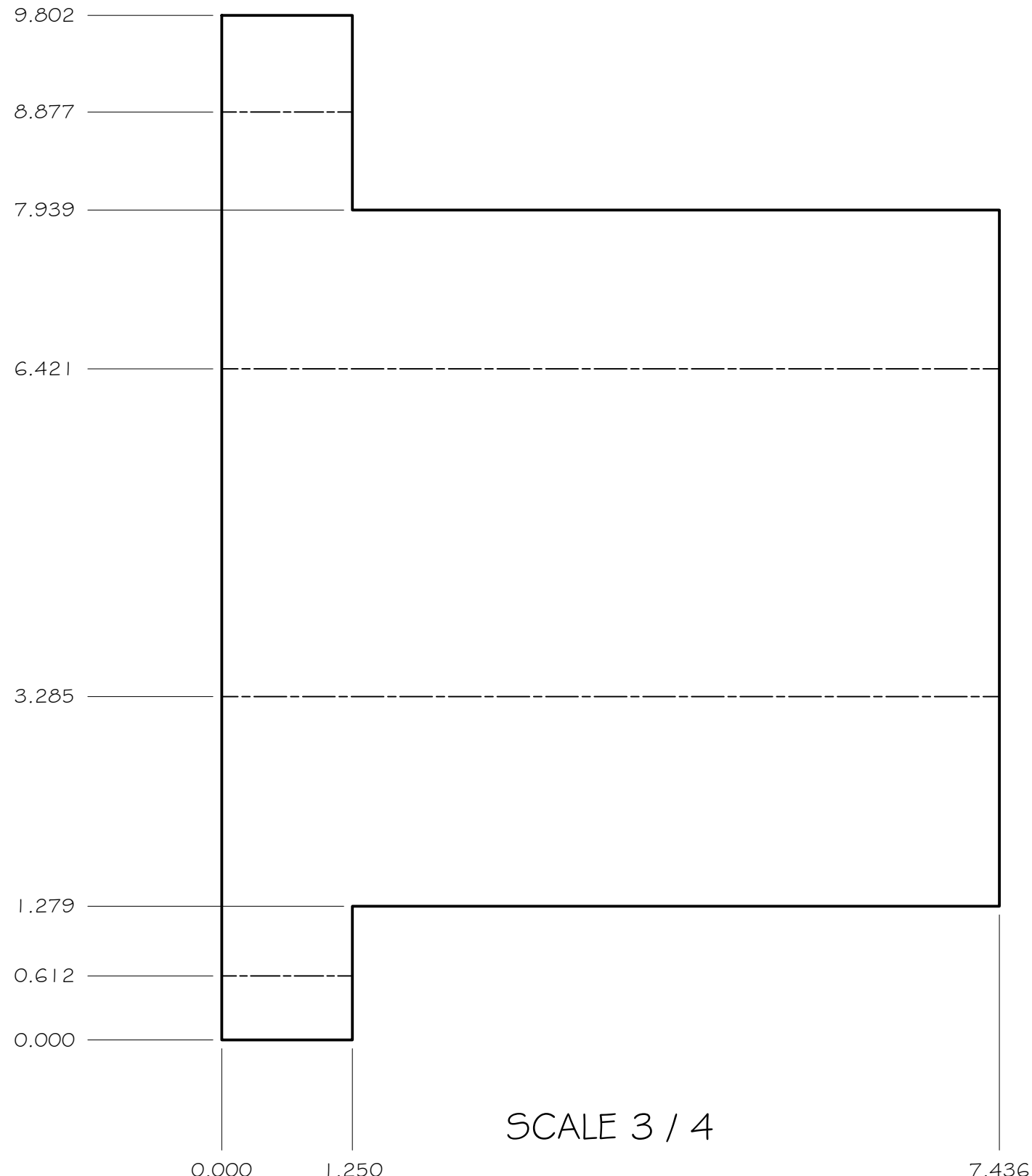
4

3

2

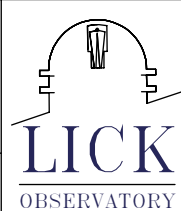
1

REV	DRWN	CHK'D	DATE	DESCRIPTION
-----	------	-------	------	-------------



SCALE 3 / 4

TOLERANCES UNLESS OTHERWISE NOTED:
 FRACTIONAL: 0"-6": ±1/64" 6"-24": ±1/32"
 24"+: ±1/16"
 DECIMAL: X.X: ±0.1000" X.XX: ±0.0100"
 X.XXX: ±0.0050" X.XXXX: ±0.0001"
 ANGLES: ±0.5° FINISH: 125 MICRO INCHES
 BREAK ALL SHARP EDGES & CORNERS 1/64" MAX



DRAWN	vernon	12/22/2004
CHECKED		
DESIGNED	vernon	
ENGINEER	vernon	

PROJECT CODE		DWG NO
NEXT ASSY		REV
A1527	A1541	A 2/2

Cassegrain ADC

COVER

4

3

2

1

B

B

A

A