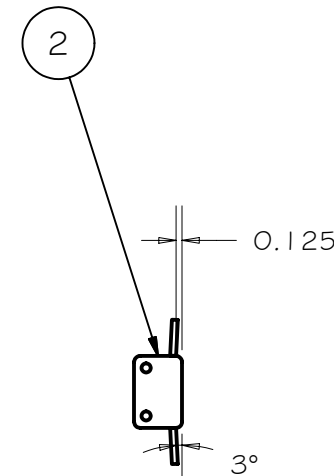
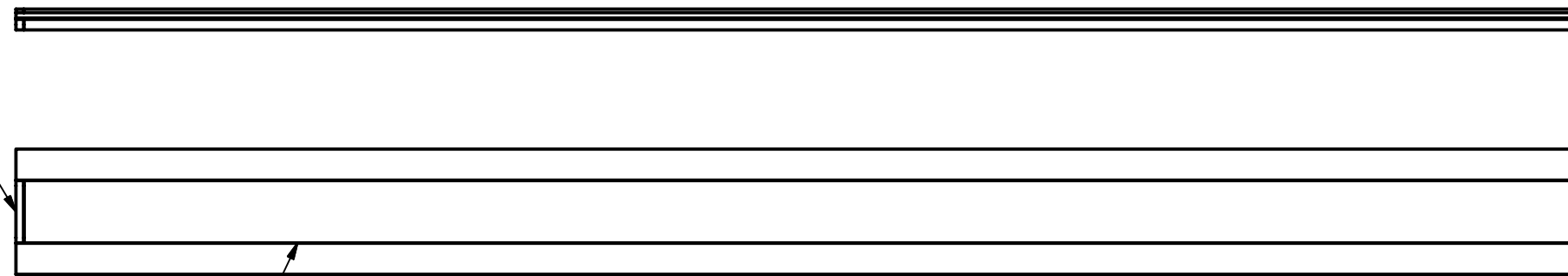
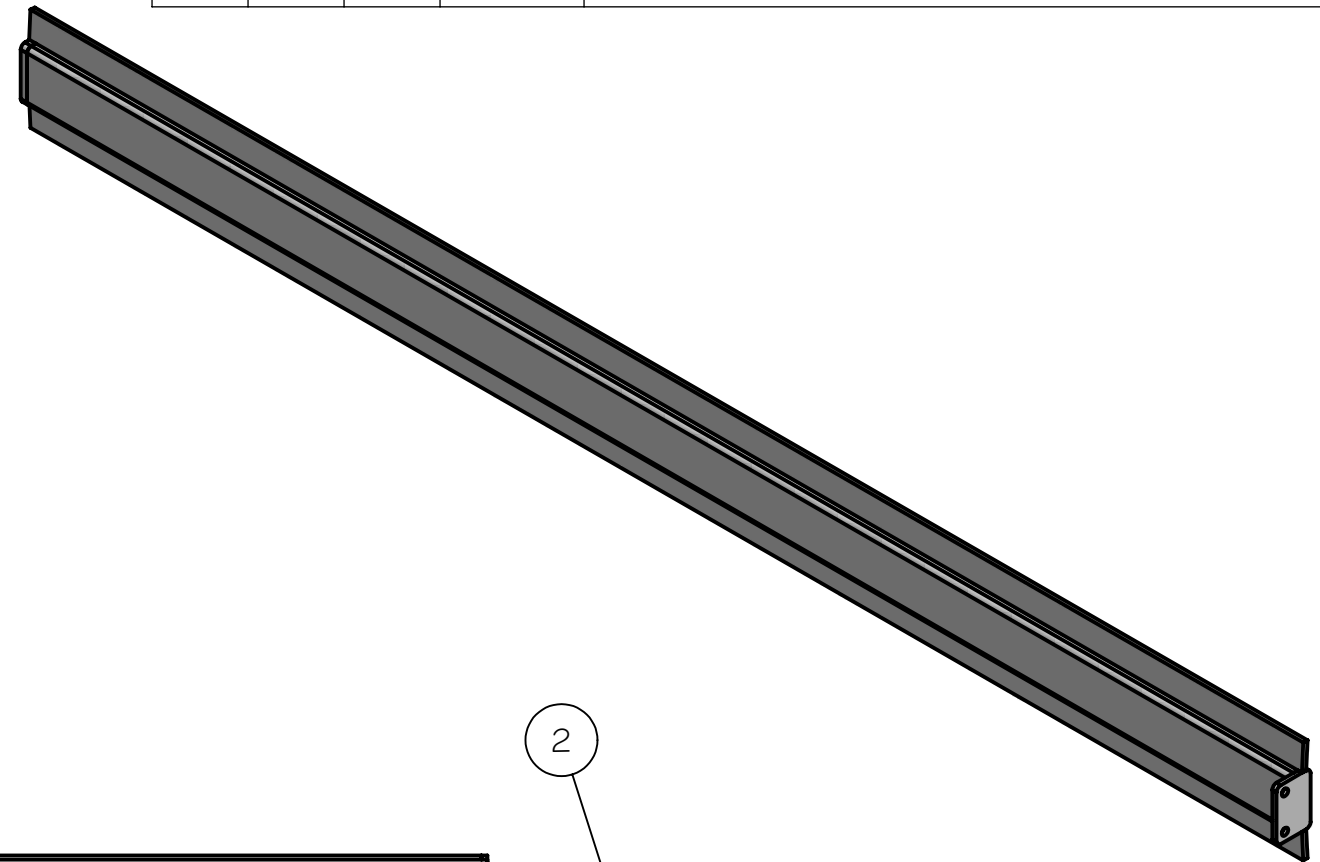


REV	DRWN	CHK'D	DATE	DESCRIPTION
B	VRW	VRW	7/1/04	LENGTHEN



3

2

1

4

Parts List			
ITEM	QTY	PART NUMBER	DESCRIPTION
1	1	A1531	STIFFENER TUBE, AFT
2	1	A1532	STIFFENER END
3	1	A1533	STIFFENER END
4	2	A1534	STIFFENER BAR, AFT

TOLERANCES UNLESS OTHERWISE NOTED:  
 FRACTIONAL: 0"-6": ±1/64" 6"-24": ±1/32"  
 24"+: ±1/16"  
 DECIMAL: X.X: ±0.1000" X.XX: ±0.0100"  
 X.XXX: ±0.0050" X.XXXX: ±0.0001"  
 ANGLES: ±0.5° FINISH: 125 MICRO INCHES  
 BREAK ALL SHARP EDGES & CORNERS 1/64" MAX



DRAWN: vernon 3/22/2004  
 CHECKED: \_\_\_\_\_  
 DESIGNED: vernon  
 ENGINEER: vernon

Cassegrain ADC

TITLE: FRAME STIFFENER, AFT

MATERIAL: \_\_\_\_\_ FINISH: \_\_\_\_\_

QTY: 1

PROJECT CODE: \_\_\_\_\_ DWG NO: A1530  
 NEXT ASSY: A1100

REV B 1/1