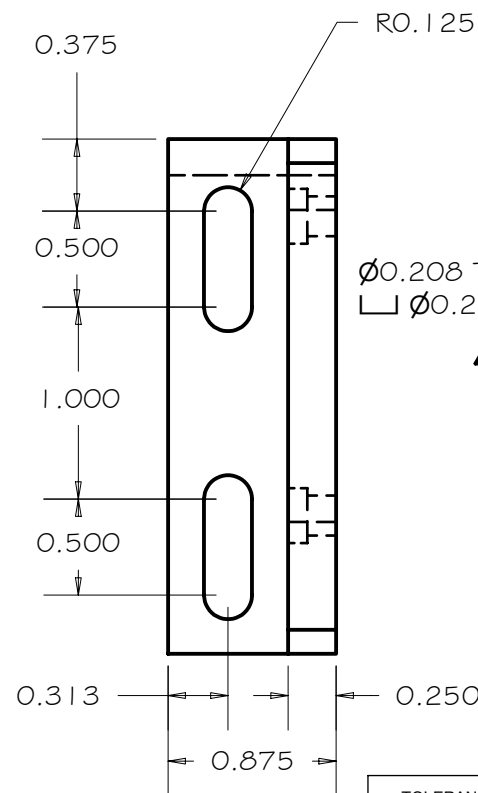
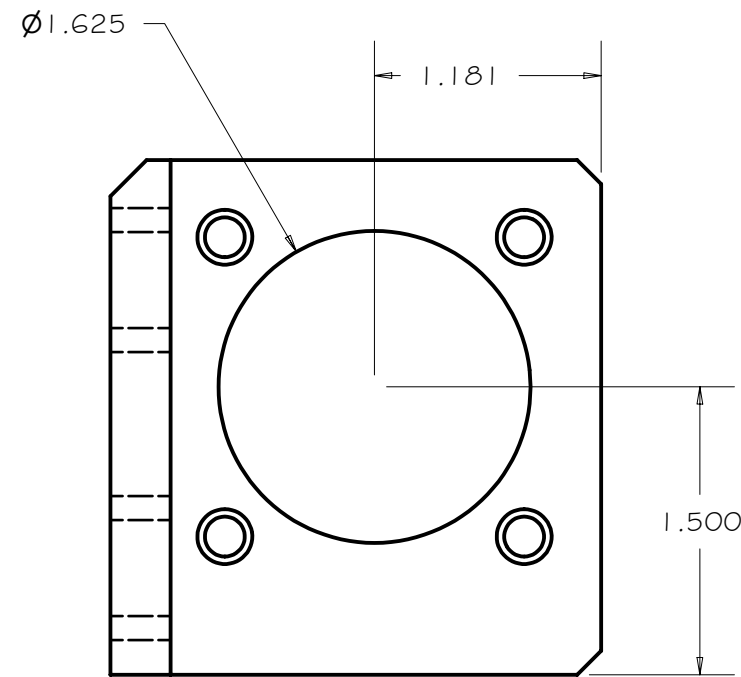
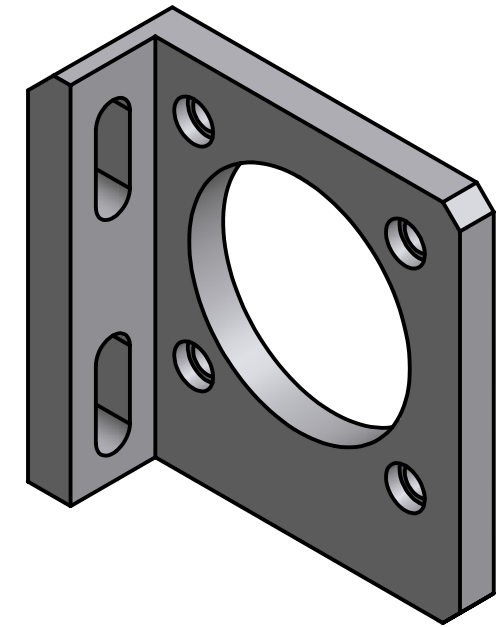
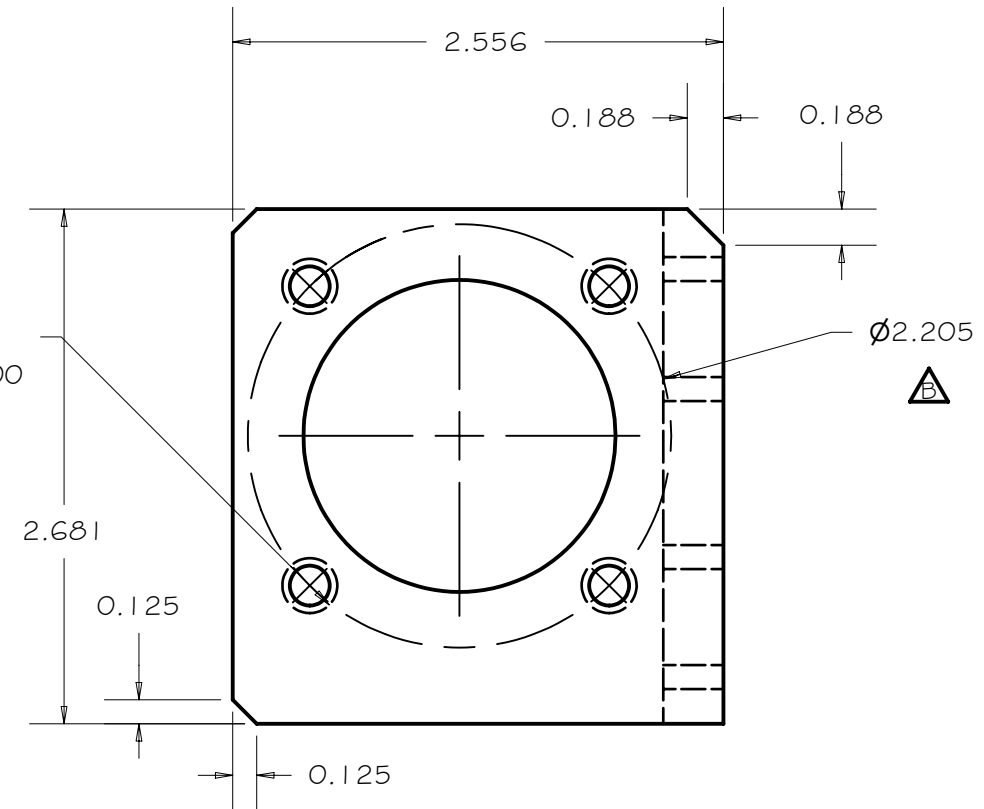


REV	DRWN	CHK'D	DATE	DESCRIPTION
B	VRW	VRW	4/26/04	CHANGE HOLE PATTERN



$\varnothing 0.208$ THRU
 $\varnothing 0.286$ ∇ 0.100
 $\triangle B$



TOLERANCES UNLESS OTHERWISE NOTED:
 FRACTIONAL: 0"-6": $\pm 1/64$ " 6"-24": $\pm 1/32$ "
 24"+: $\pm 1/16$ "
 DECIMAL: X.X: ± 0.1000 " X.XX: ± 0.0100 "
 X.XXX: ± 0.0050 " X.XXXX: ± 0.0001 "
 ANGLES: $\pm 0.5^\circ$ FINISH: 125 MICRO INCHES
 BREAK ALL SHARP EDGES & CORNERS $1/64$ " MAX

MATERIAL: STEEL
 FINISH:



DRAWN: vernon
 CHECKED:
 DESIGNED: vernon
 ENGINEER: vernon

9/4/2003
Cassegrain ADC
 TITLE: HOUSING COVER

QTY: 1

PROJECT CODE: A1300
 DWG NO: A1311
 REV B