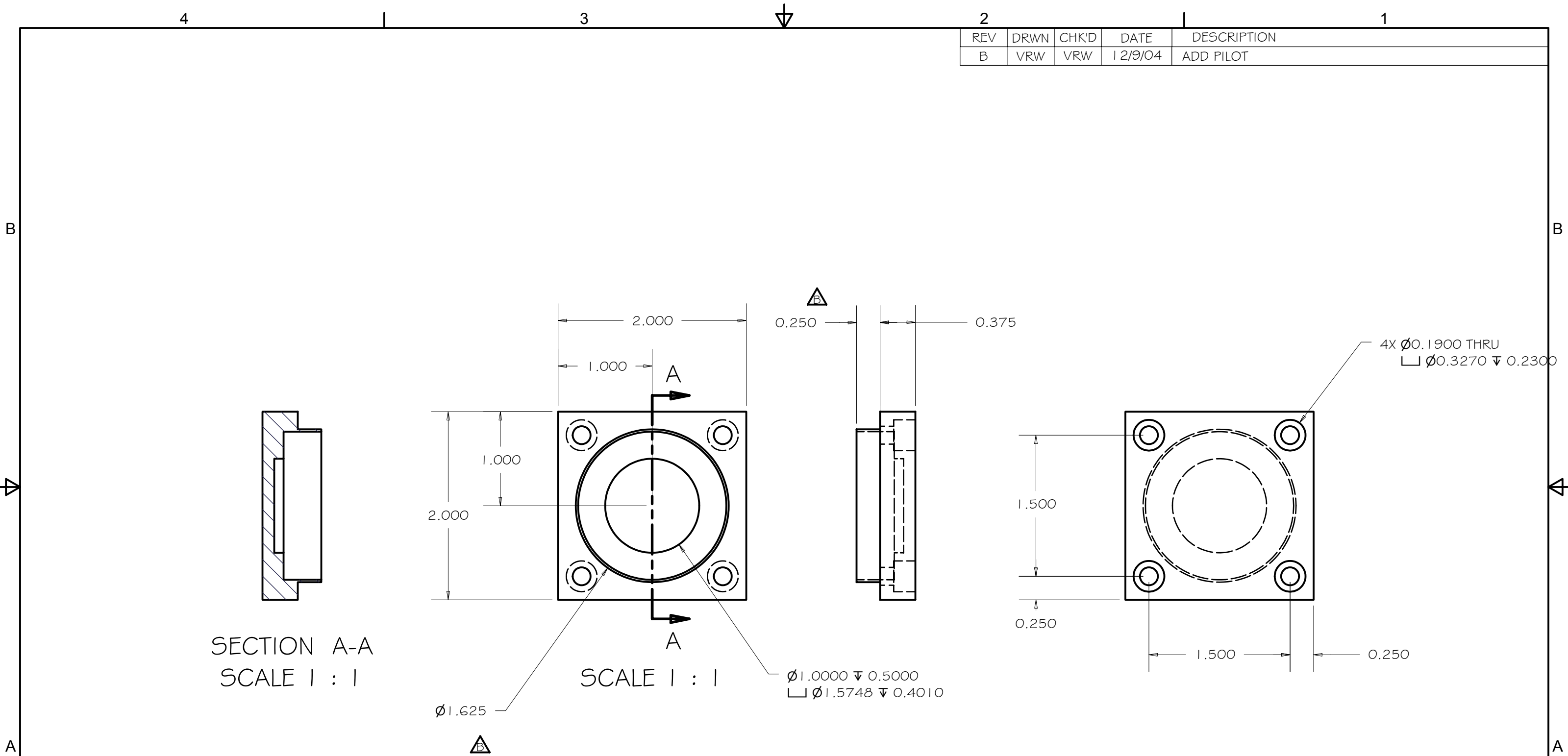


REV	DRWN	CHK'D	DATE	DESCRIPTION
B	VRW	VRW	12/9/04	ADD PILOT



TOLERANCES UNLESS OTHERWISE NOTED:
 FRACTIONAL: 0"-6": \pm 1/64" 6"-24": \pm 1/32"
 24"+: \pm 1/16"
 DECIMAL: X.X: \pm 0.1000" X.XX: \pm 0.0100"
 X.XXX: \pm 0.0050" X.XXXX: \pm 0.0001"
 ANGLES: \pm 0.5° FINISH: 125 MICRO INCHES
 BREAK ALL SHARP EDGES & CORNERS 1/64" MAX

MATERIAL	FINISH
STEEL	2



DRAWN	vernon	3/22/2004
CHECKED		
DESIGNED	vernon	
ENGINEER	vernon	
QTY: 1		

PROJECT CODE		DWG NO	REV
NEXT ASSY		A1220	B
A1000			1

Cassegrain ADC

BALL SCREW CAP, AFT