

SCALE 1 / 12

Parts List			
ITEM	QTY	PART NUMBER	DESCRIPTION
1	1	A2029	CYLINDER, OUTER, AFT
2	1	A2031	CYLINDER, OUTER, AFT
3	2	A2032	SIDE BLOCK, AFT
4	1	A2033	LOWER CYLINDER, AFT
5	1	A2034	UPPER CYLINDER, AFT
6	1	A2035	FLANGE, LOWER, AFT
7	1	A2036	FLANGE, DRIVE, AFT
8	2	A2037	FLANGE, SHORT, AFT
9	1	A2038	FLANGE, THIN, AFT
10	1	A2039	STIFFENER, AFT
11	2	A2043	AXIAL CLAMP BRACKET, AFT

TOLERANCES UNLESS OTHERWISE NOTED:
 FRACTIONAL: 0"-6": ±1/64" 6"-24": ±1/32"
 24"+: ±1/16"
 DECIMAL: X.X: ±0.1000" X.XX: ±0.0100"
 X.XXX: ±0.0050" X.XXXX: ±0.0001"
 ANGLES: ±0.5° FINISH: 125 MICRO INCHES
 BREAK ALL SHARP EDGES & CORNERS 1/64" MAX

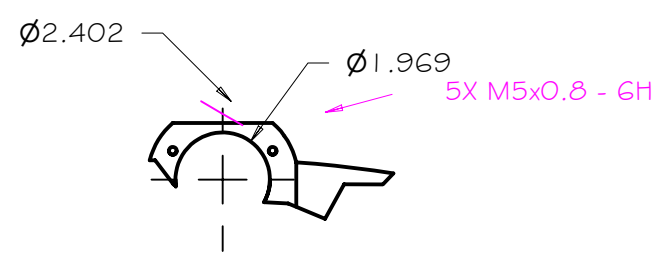
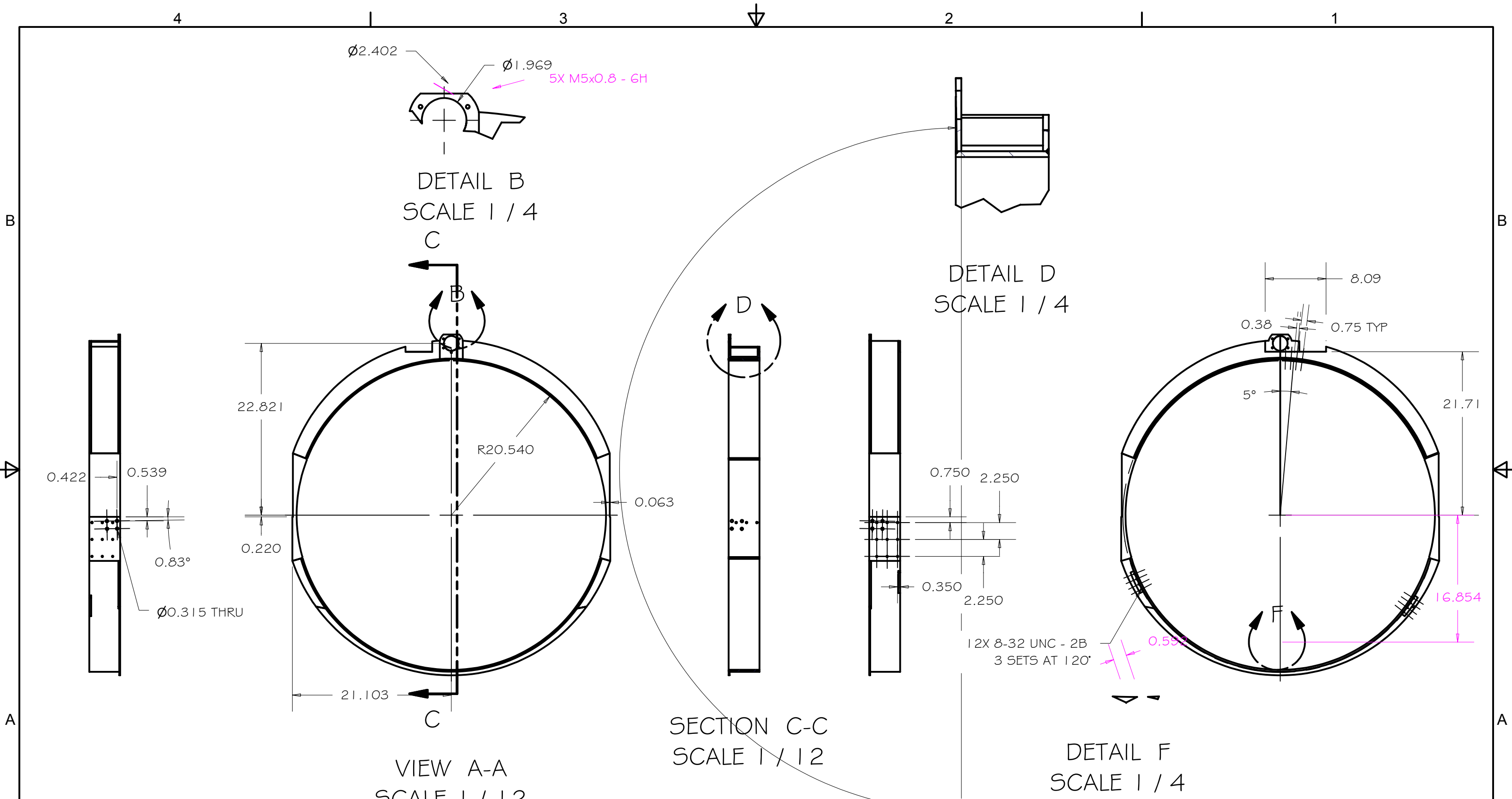


DRAWN: vernon 10/8/2003
 CHECKED: _____
 DESIGNED: vernon
 ENGINEER: vernon

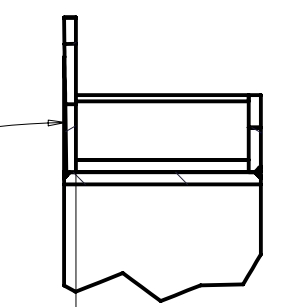
Cassegrain ADC
 TITLE: CELL WELDMENT, AFT
 PROJECT CODE: A2002
 DWG NO: A2030
 REV: A
 1/3

MATERIAL: _____ FINISH: _____

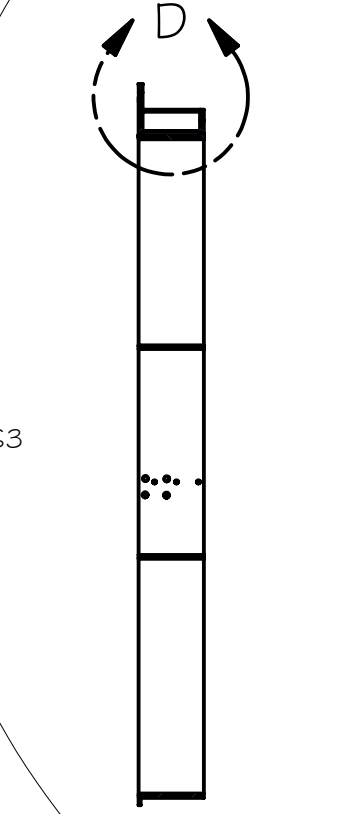
QTY: 1



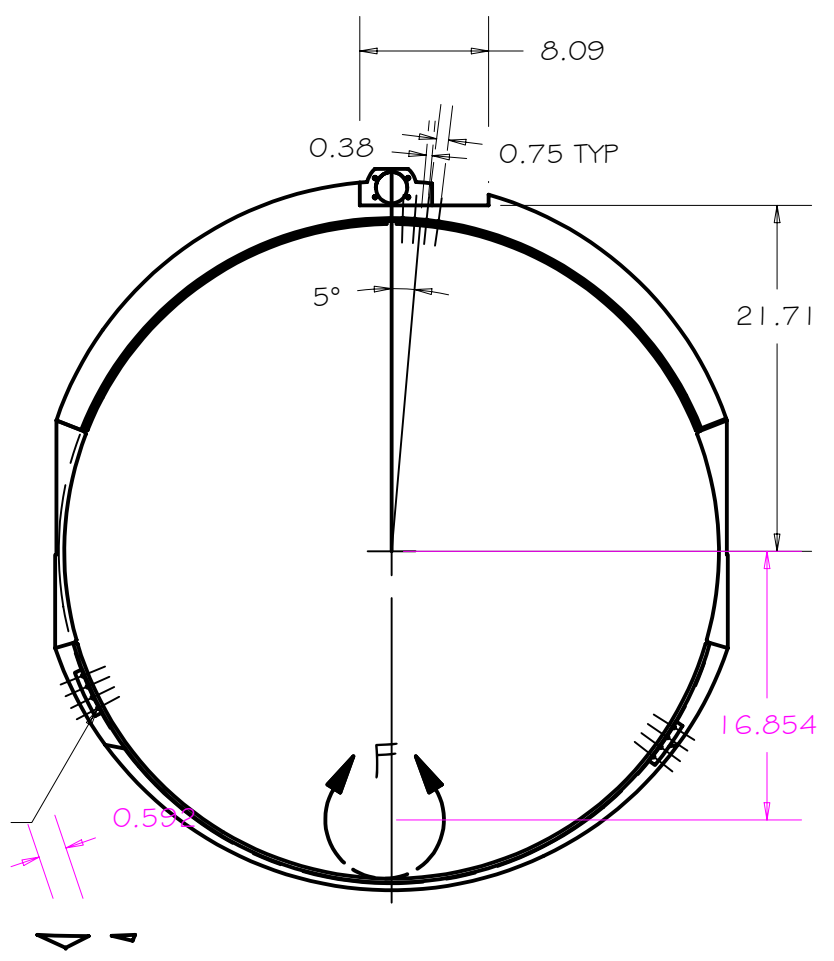
DETAIL B
SCALE 1 / 4



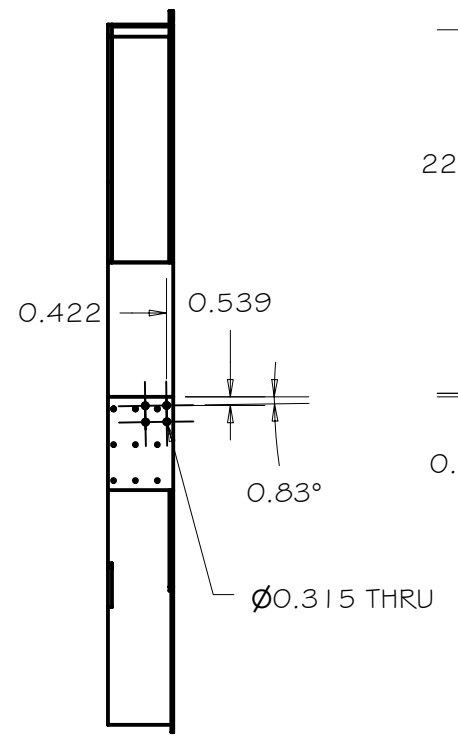
DETAIL D
SCALE 1 / 4



SECTION C-C
SCALE 1 / 12



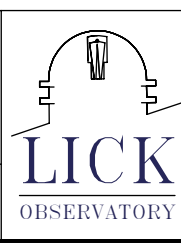
DETAIL F
SCALE 1 / 4



VIEW A-A
SCALE 1 / 12

TOLERANCES UNLESS OTHERWISE NOTED:

FRACTIONAL:	0"-6": ±1/64"	6"-24": ±1/32"
	24"+: ±1/16"	
DECIMAL:	X.X: ±0.1000"	X.XX: ±0.0100"
	X.XXX: ±0.0050"	X.XXXX: ±0.0001"
ANGLES:	±0.5° FINISH: 125 MICRO INCHES	
	BREAK ALL SHARP EDGES & CORNERS 1/64" MAX	

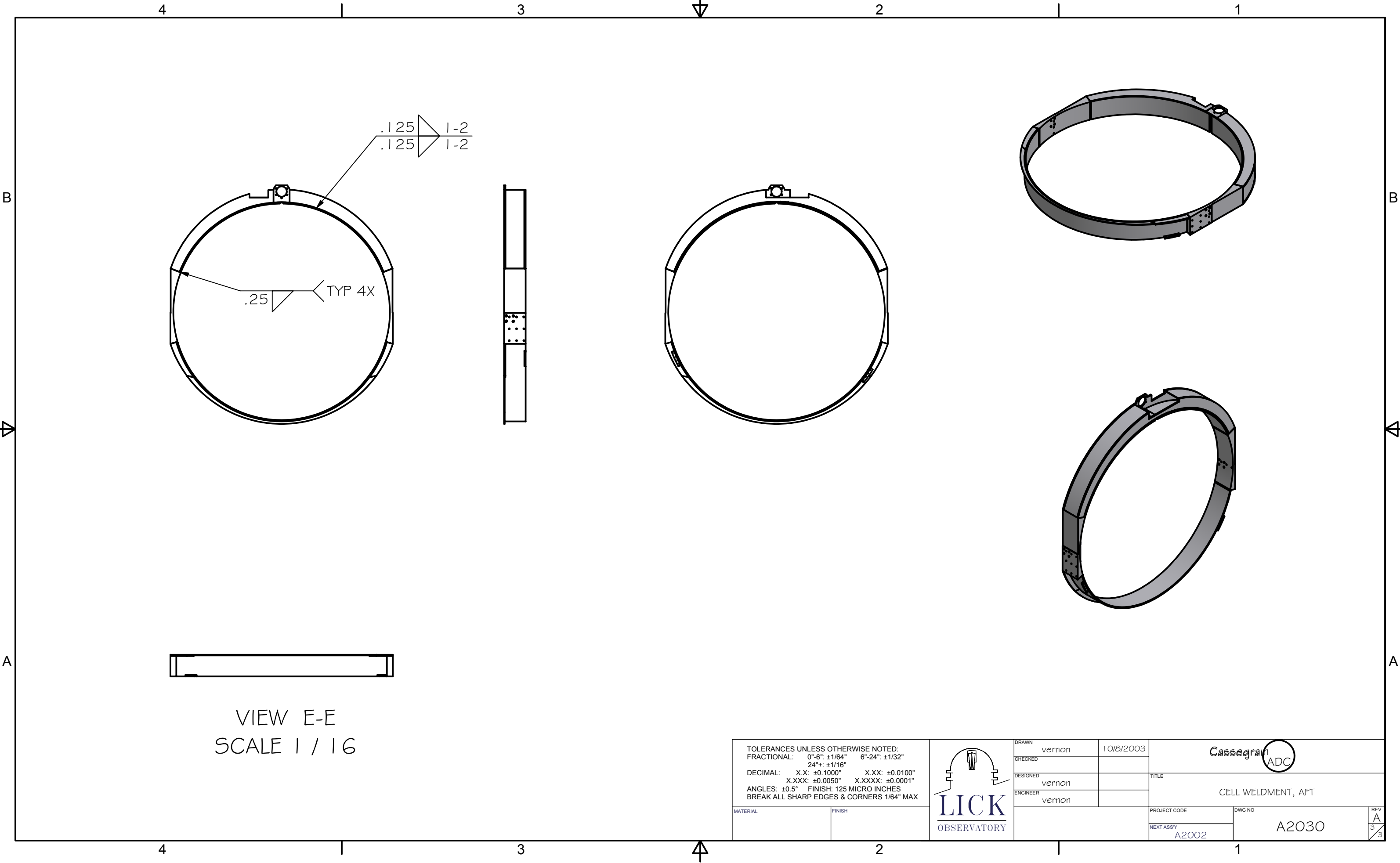


DRAWN	vernon	10/8/2003
CHECKED		
DESIGNED	vernon	
ENGINEER	vernon	

PROJECT CODE		DWG NO	REV
A2002		A2030	A
NEXT ASSY			2
			3



CELL WELDMENT, AFT



VIEW E-E
SCALE 1 / 16

TOLERANCES UNLESS OTHERWISE NOTED:
 FRACTIONAL: 0"-6": ±1/64" 6"-24": ±1/32"
 24"+: ±1/16"
 DECIMAL: X.X: ±0.1000" X.XX: ±0.0100"
 X.XXX: ±0.0050" X.XXXX: ±0.0001"
 ANGLES: ±0.5° FINISH: 125 MICRO INCHES
 BREAK ALL SHARP EDGES & CORNERS 1/64" MAX

MATERIAL	FINISH



DRAWN	vernon	10/8/2003
CHECKED		
DESIGNED	vernon	
ENGINEER	vernon	

PROJECT CODE		DWG NO	REV
NEXT ASSY		A2030	A
A2002			3/3

Cassegrain ADC

CELL WELDMENT, AFT