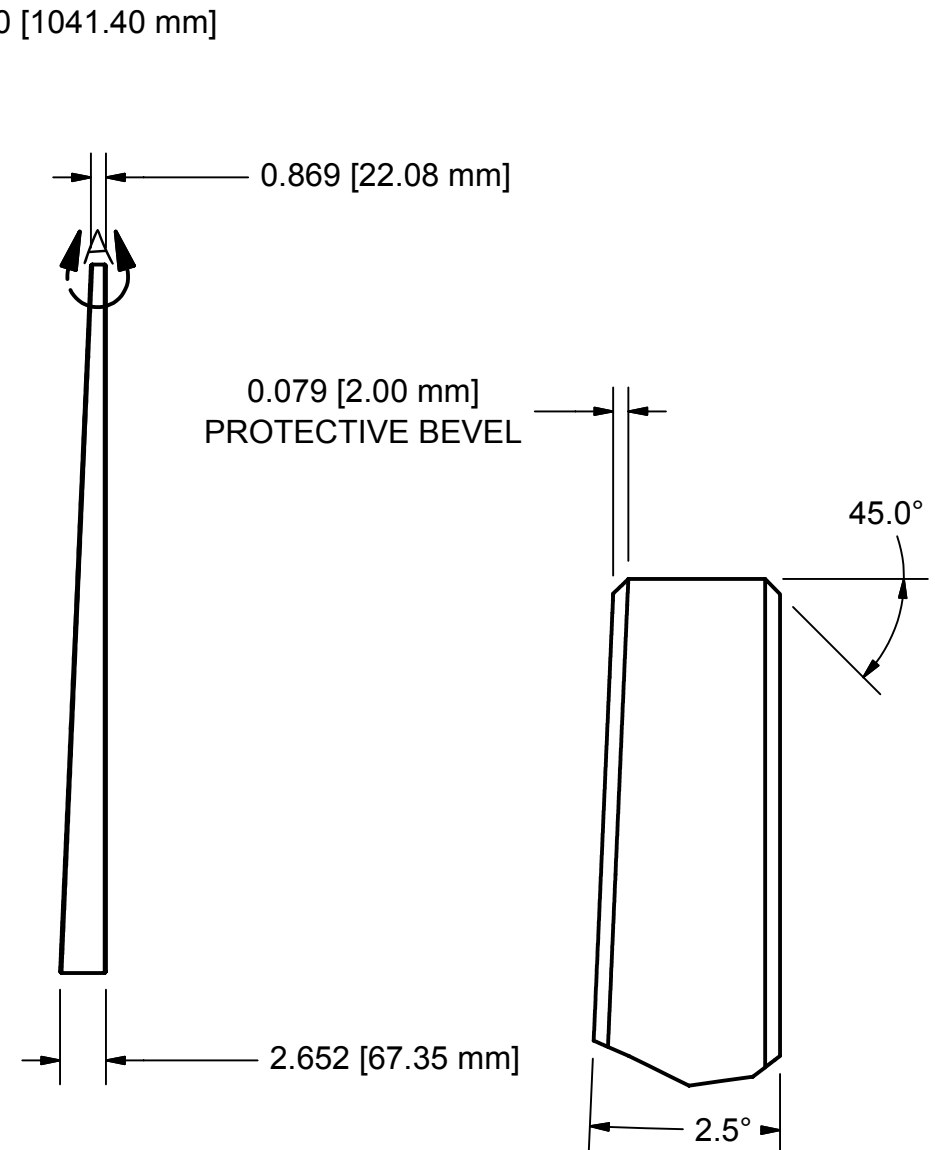
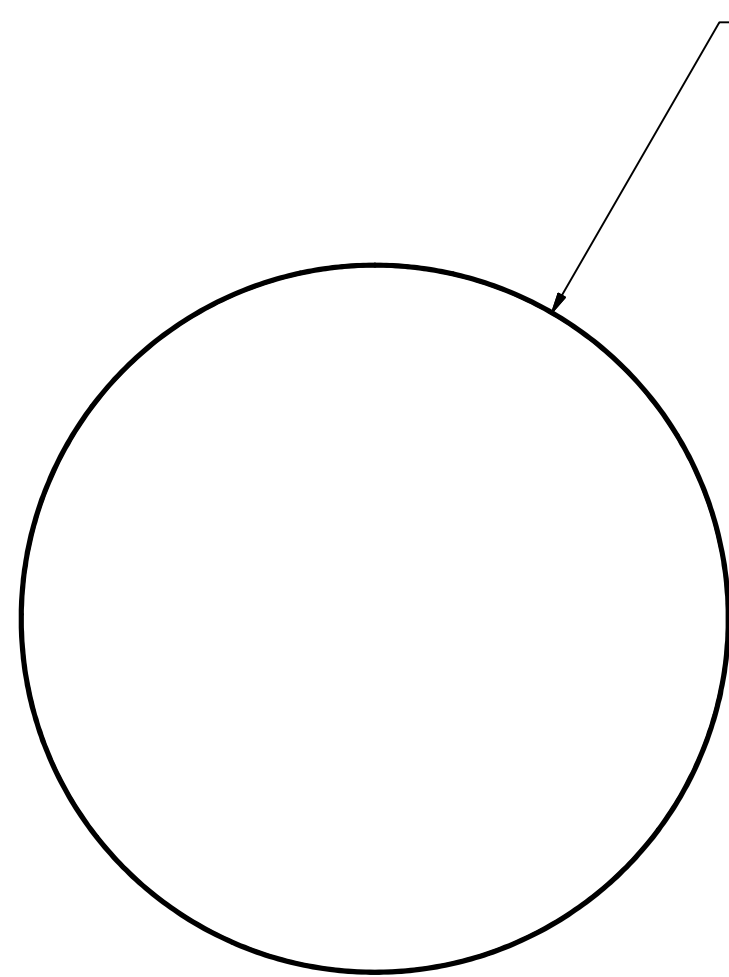


REV	DRWN	CHK'D	DATE	DESCRIPTION



DETAIL A
SCALE 1 : 1

BLANK SUPPLIED FROM CORNING WITH FOLLOWING SPECS.
 2.5° WEDGE, +- 1 MINUTE
 MATERIAL: CORNING HPFS STANDARD GRADE 3D
 TOP AND BOTTOM SURFACES WILL BE 320 GRIT OR BETTER

GRIND AND POLISH TO FOLLOWING SPECS.
 2.5° ANGLE +- 1 MINUTE
 TOP AND BOTTOM SURFACES FLAT TO 1 WAVE OR BETTER OVER ANY 24" DIAMETER, C.A. 39.96"
 SCRATCH/DIG -60/40
 BEVELS ON EDGES AS SHOWN

QUANTITY: 2 PIECES

TOLERANCES UNLESS OTHERWISE NOTED:
 FRACTIONAL: 0"-6": ±1/64" 6"-24": ±1/32"
 24"+: ±1/16"
 DECIMAL: X.X: ±0.1000" X.XX: ±0.0100"
 X.XXX: ±0.0050" X.XXXX: ±0.0001"
 ANGLES: ±0.5° FINISH: 125 MICRO INCHES
 BREAK ALL SHARP EDGES & CORNERS 1/64" MAX

MATERIAL	FINISH



DRAWN	vernon	5/23/2003
CHECKED		
DESIGNED	vernon	
ENGINEER	vernon	

PROJECT CODE		DWG NO	REV
NEXT ASSY		A2010	B
A2012			1

Cassegrain ADC

ADC OPTIC

QTY: 2