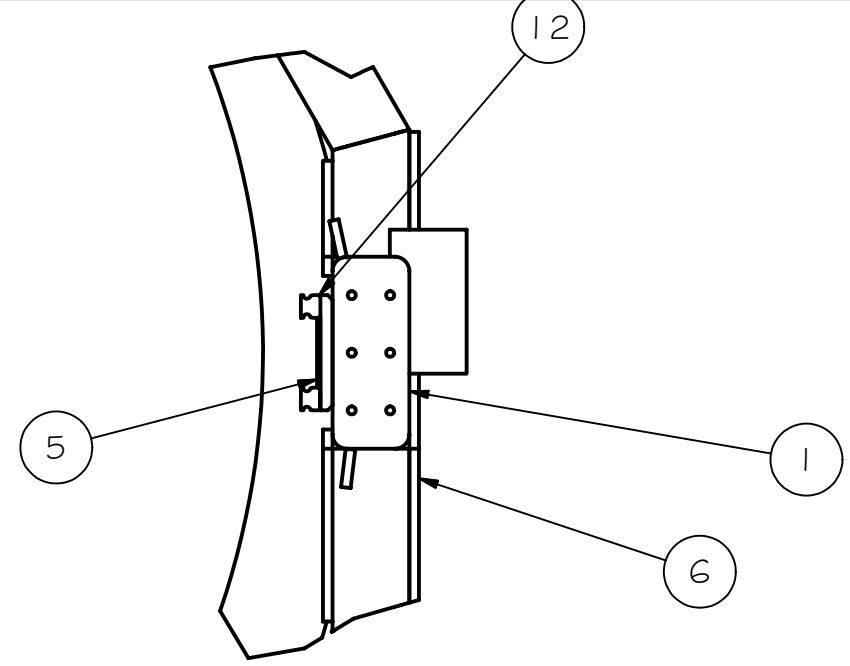
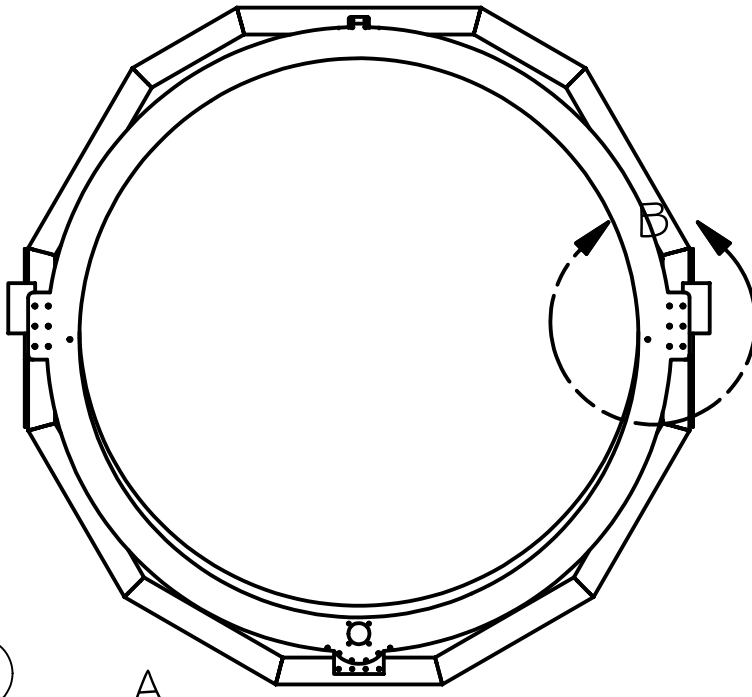
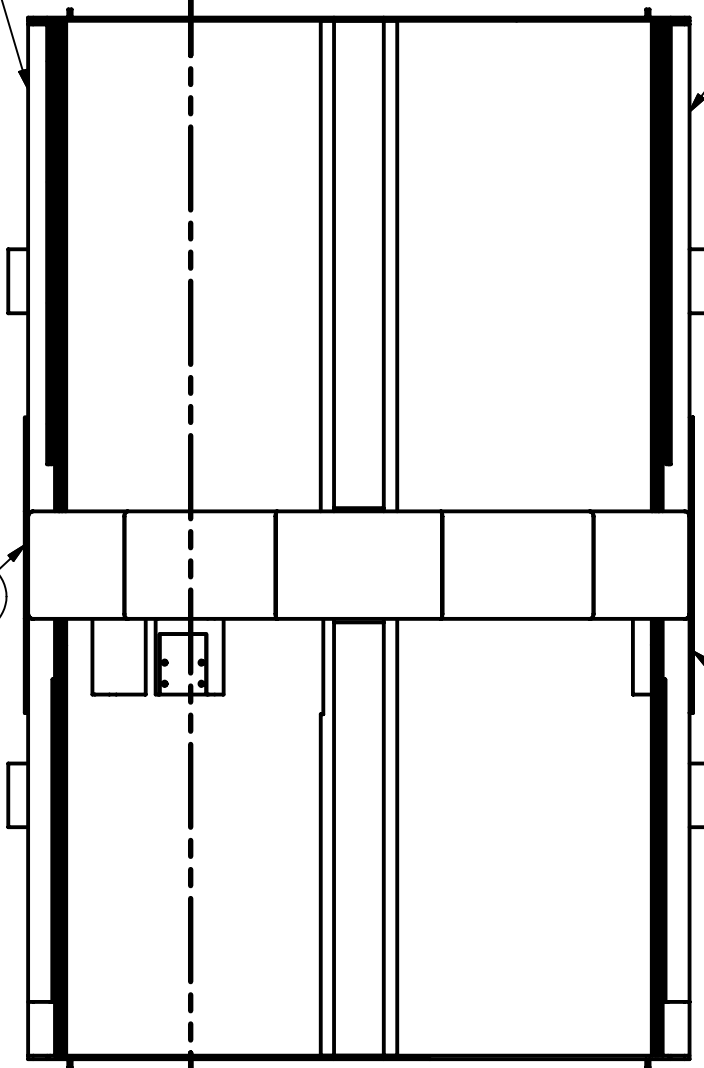


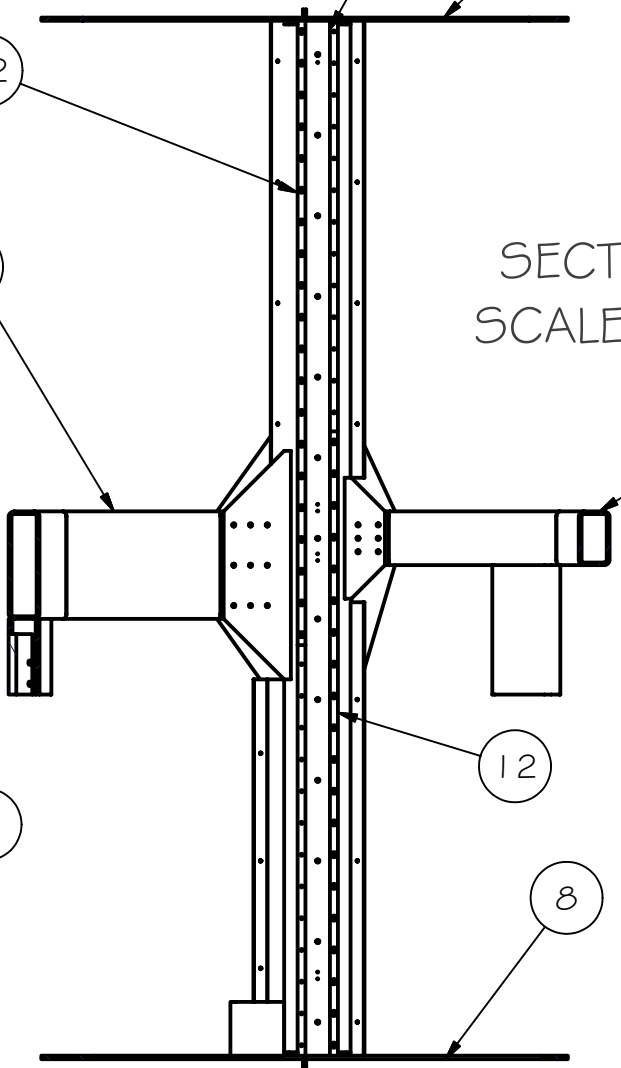
REV	DRWN	CHK'D	DATE	DESCRIPTION



SHOWN WITHOUT FRONT RING, ITEM 7
 DETAIL B
 SCALE 1 / 5



SECTION A-A
 SCALE 0.07 : 1



Parts List			
ITEM	QTY	PART NUMBER	DESCRIPTION
1	1	A1110	SUPPORT WELDMENT, LEFT
2	1	A1130	SUPPORT WELDMENT, RIGHT
3	1	A1150	FRAME WELDMENT, LOWER
4	1	A1160	FRAME WELDMENT, UPPER
5	2	A1170	RAIL SPACER
6	2	A1171	GUSSET, FRAME
7	1	A1172	RING, FWD
8	1	A1173	RING, AFT
9	1	A1528	BALL SCREW SHIELD, FWD
10	1	A1529	BALL SCREW SHIELD, AFT
11	2	A1530	FRAME STIFFENER
12	4	THK SHS-20-rail	THK SHS-20 RAIL

TOLERANCES UNLESS OTHERWISE NOTED:
 FRACTIONAL: 0"-6": ±1/64" 6"-24": ±1/32"
 24"+: ±1/16"
 DECIMAL: X.X: ±0.1000" X.XX: ±0.0100"
 X.XXX: ±0.0050" X.XXXX: ±0.0001"
 ANGLES: ±0.5° FINISH: 125 MICRO INCHES
 BREAK ALL SHARP EDGES & CORNERS 1/64" MAX



DRAWN: vernon 7/22/2003
 CHECKED: [blank]
 DESIGNED: vernon
 ENGINEER: vernon

Cassegrain ADC
 TITLE: FRAME ASSEMBLY
 PROJECT CODE: A1000
 DWG NO: A1100
 REV: A
 1/2

MATERIAL	FINISH	QTY: 1	REV: A
----------	--------	--------	--------