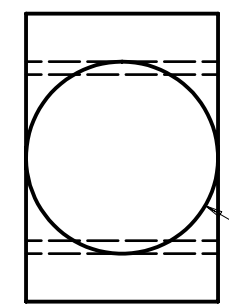
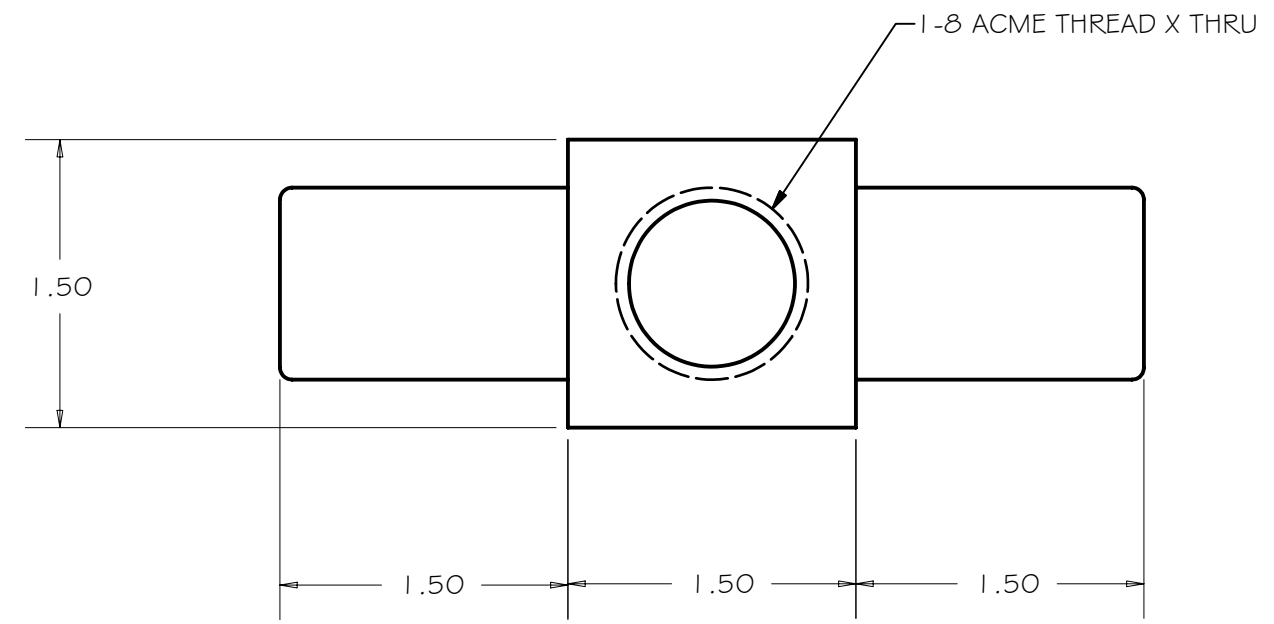
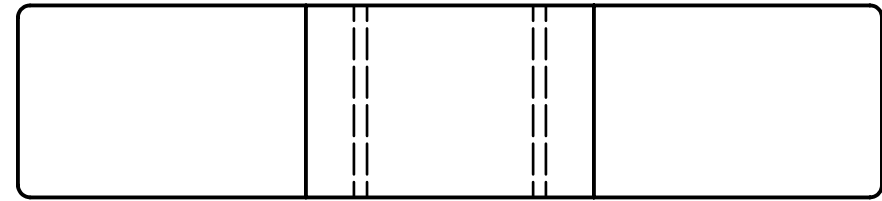
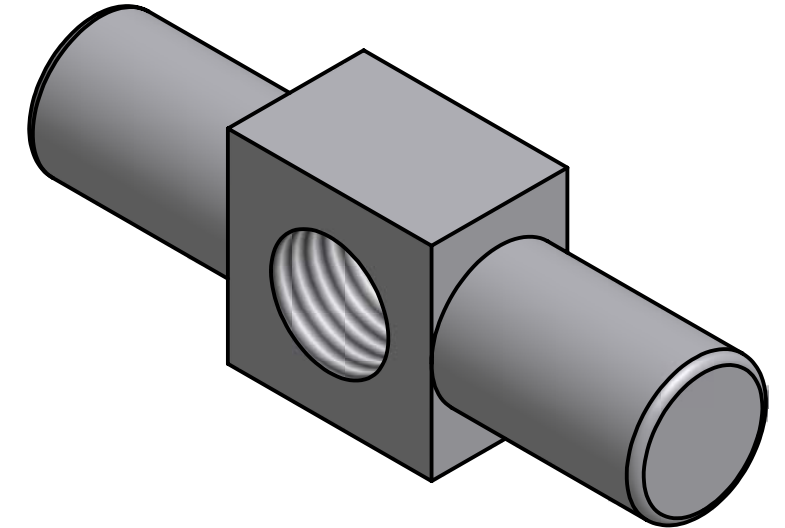


REV	DRWN	CHK'D	DATE	DESCRIPTION



TOLERANCES UNLESS OTHERWISE NOTED: FRACTIONAL: 0"-6": ±1/64" 6"-24": ±1/32" 24"+: ±1/16" DECIMAL: X.X: ±0.1000" X.XX: ±0.0100" X.XXX: ±0.0050" X.XXXX: ±0.0001" ANGLES: ±0.5° FINISH: 125 MICRO INCHES BREAK ALL SHARP EDGES & CORNERS 1/64" MAX			DRAWN vernon	3/29/2004	
MATERIAL STEEL	FINISH		CHECKED	DESIGNED vernon	
QTY: 1			PROJECT CODE A5001	DWG NO A5045	REV A