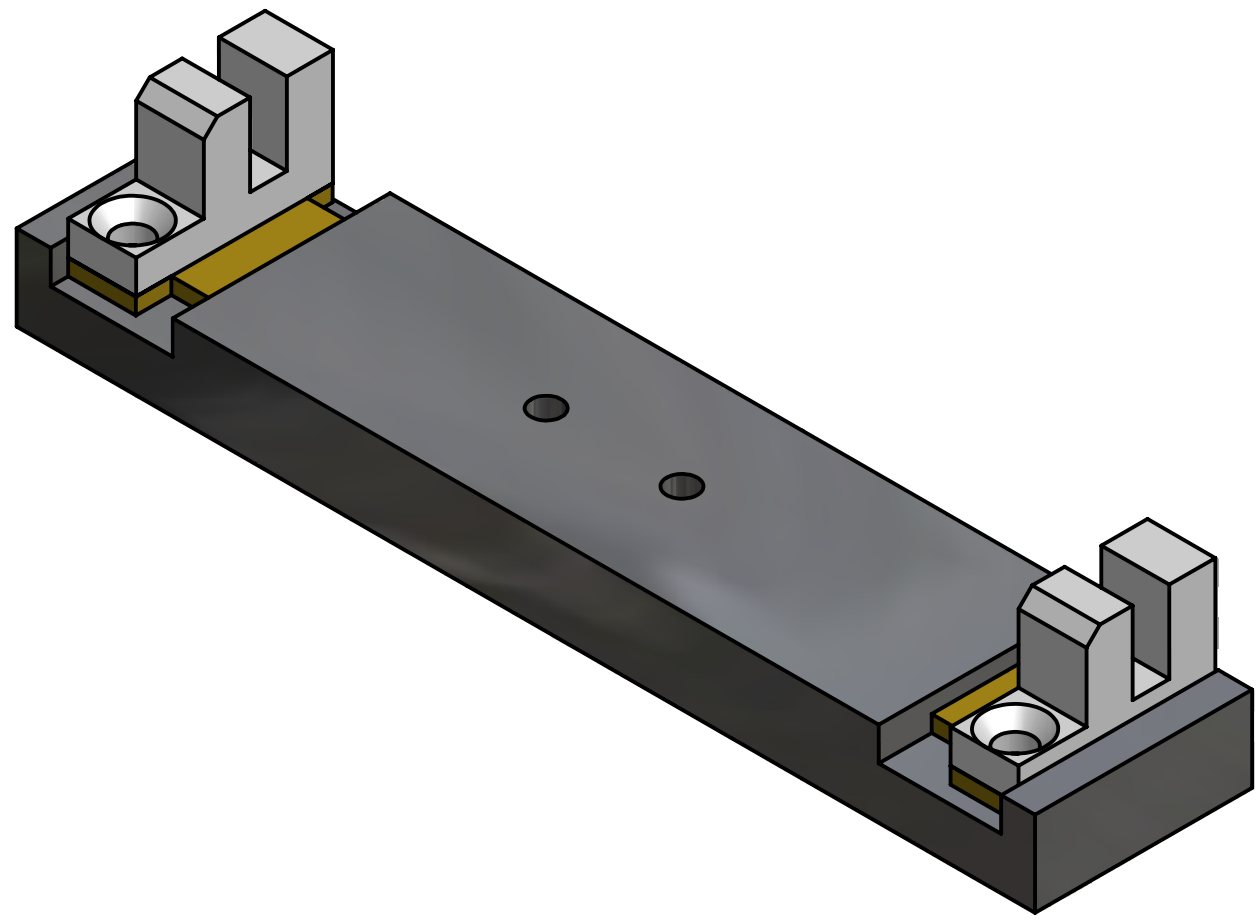
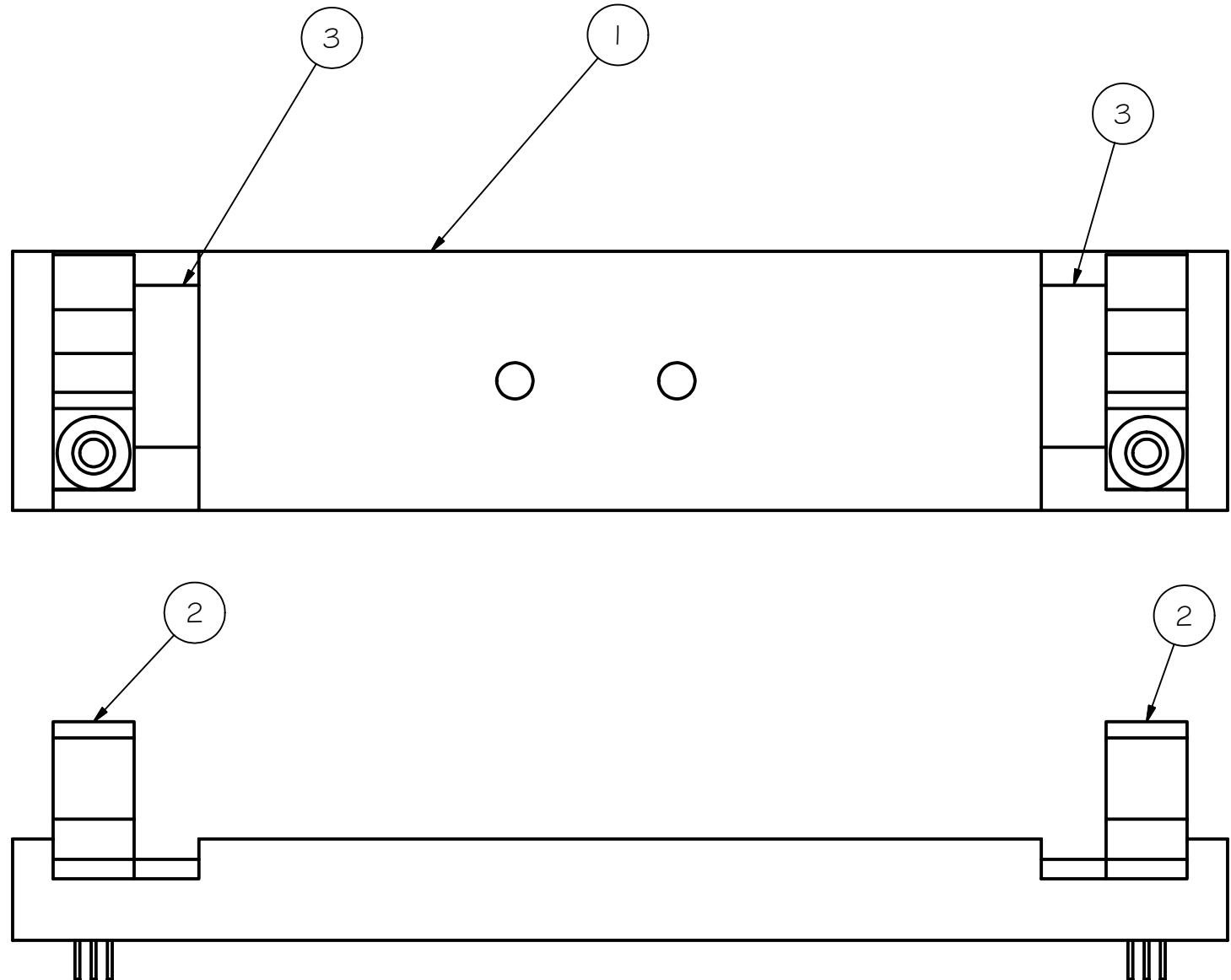


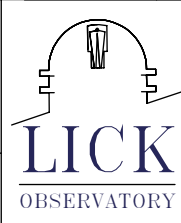
REV	DRWN	CHK'D	DATE	DESCRIPTION
-----	------	-------	------	-------------



SCALE 2 : 1

Parts List			
ITEM	QTY	PART NUMBER	DESCRIPTION
1	1	A3018	2 WIDE FIDUCAL MOUNT
2	2	A3010	CHERRY VN1015 MODIFIED
3	2	A3011	FIDUCAL PC BOARD

TOLERANCES UNLESS OTHERWISE NOTED:
 FRACTIONAL: 0"-6": ±1/64" 6"-24": ±1/32"
 24"+: ±1/16"
 DECIMAL: X.X: ±0.1000" X.XX: ±0.0100"
 X.XXX: ±0.0050" X.XXXX: ±0.0001"
 ANGLES: ±0.5° FINISH: 125 MICRO INCHES
 BREAK ALL SHARP EDGES & CORNERS 1/64" MAX



DRAWN: vernon 3/25/2004
 CHECKED:
 DESIGNED: vernon
 ENGINEER: vernon
 QTY: 1

Cassegrain ADC
 TITLE: FIDUCAL ASSEMBLY, WIDE DOUBLE
 PROJECT CODE: A0001
 DWG NO: A3019
 REV: A