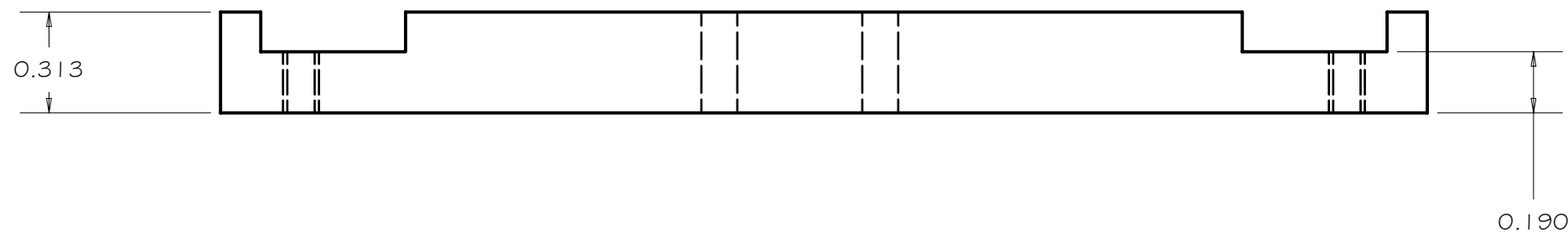
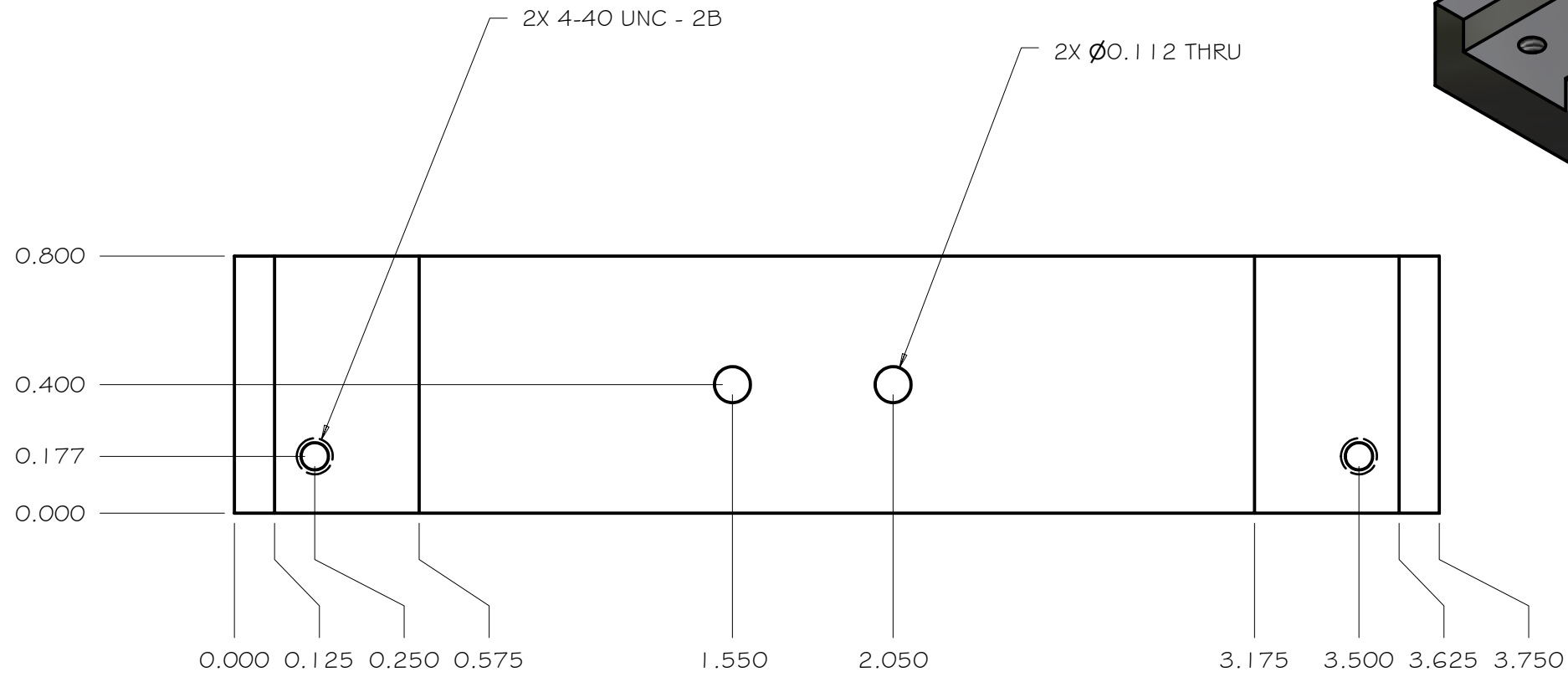
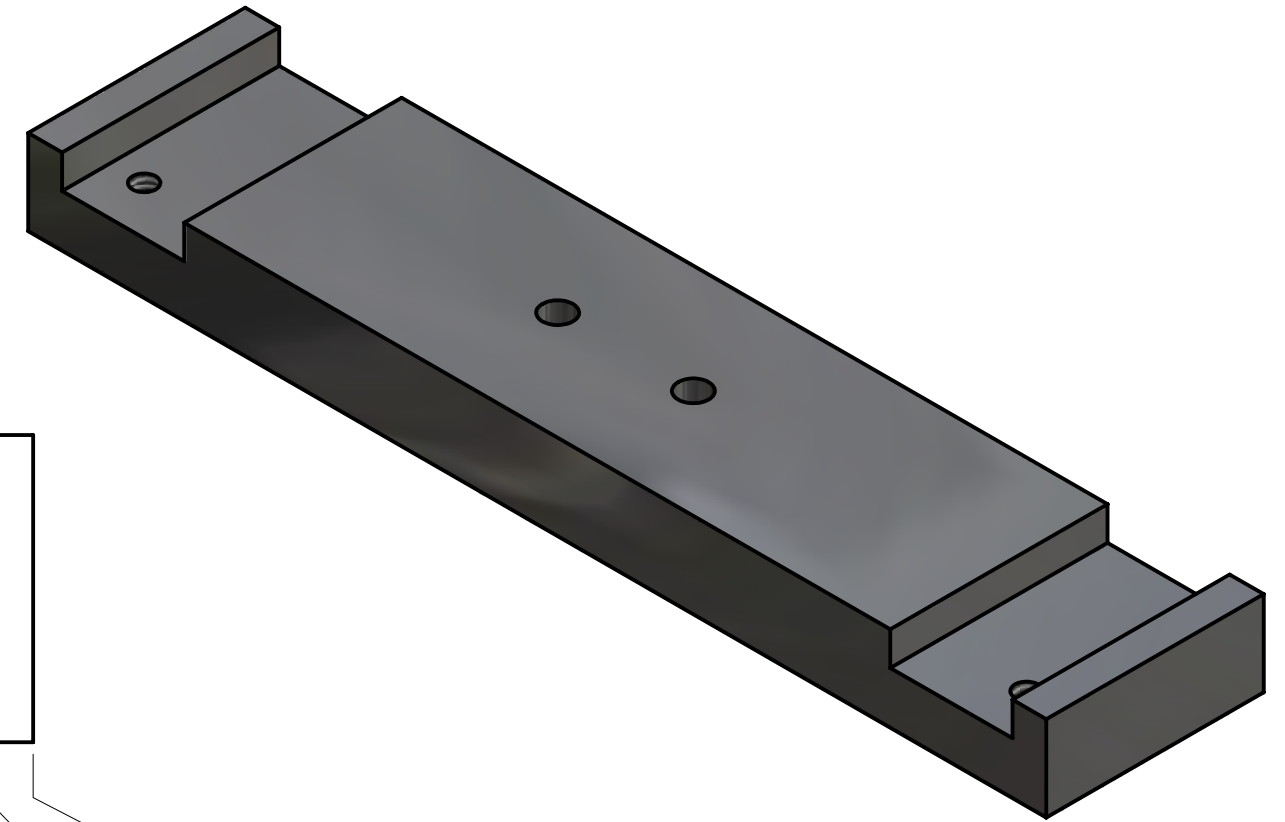


REV	DRWN	CHK'D	DATE	DESCRIPTION



SCALE 2 : 1

TOLERANCES UNLESS OTHERWISE NOTED:  
 FRACTIONAL: 0"-6": ±1/64" 6"-24": ±1/32"  
 24"+: ±1/16"  
 DECIMAL: X.X: ±0.1000" X.XX: ±0.0100"  
 X.XXX: ±0.0050" X.XXXX: ±0.0001"  
 ANGLES: ±0.5° FINISH: 125 MICRO INCHES  
 BREAK ALL SHARP EDGES & CORNERS 1/64" MAX

MATERIAL: DELRIN, BLACK



DRAWN: vernon 3/25/2004  
 CHECKED:   
 DESIGNED: vernon  
 ENGINEER: vernon

QTY: 1

PROJECT CODE: A3019  
 DWG NO: A3018  
 TITLE: 2 WIDE FIDUCAL MOUNT  
 PROJECT CODE: A3019  
 DWG NO: A3018  
 REV: A/1