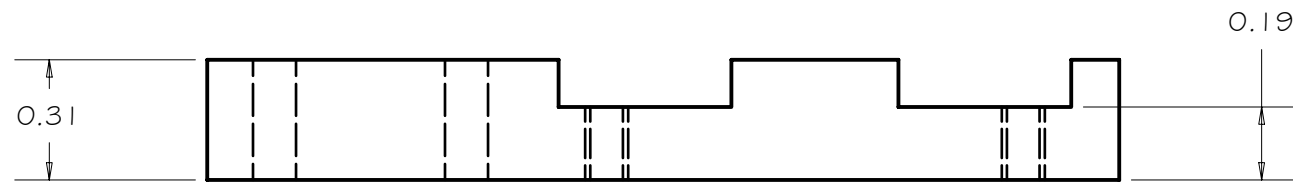
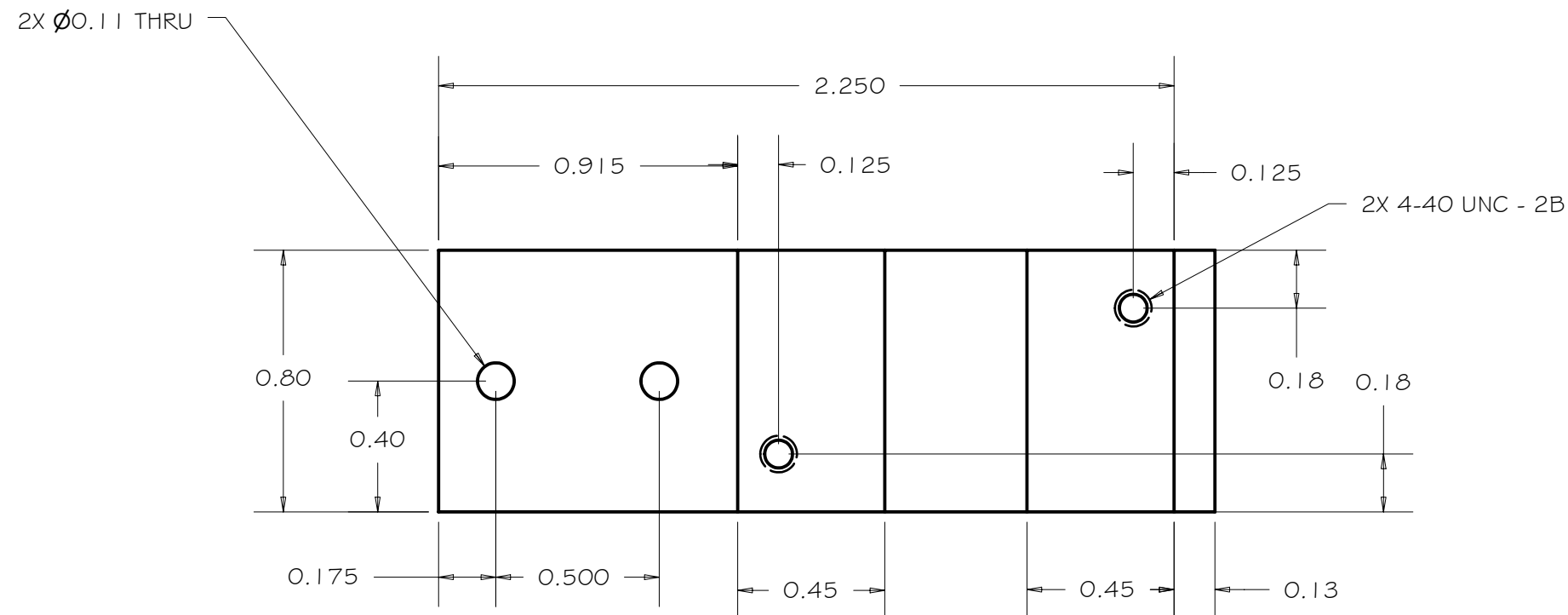
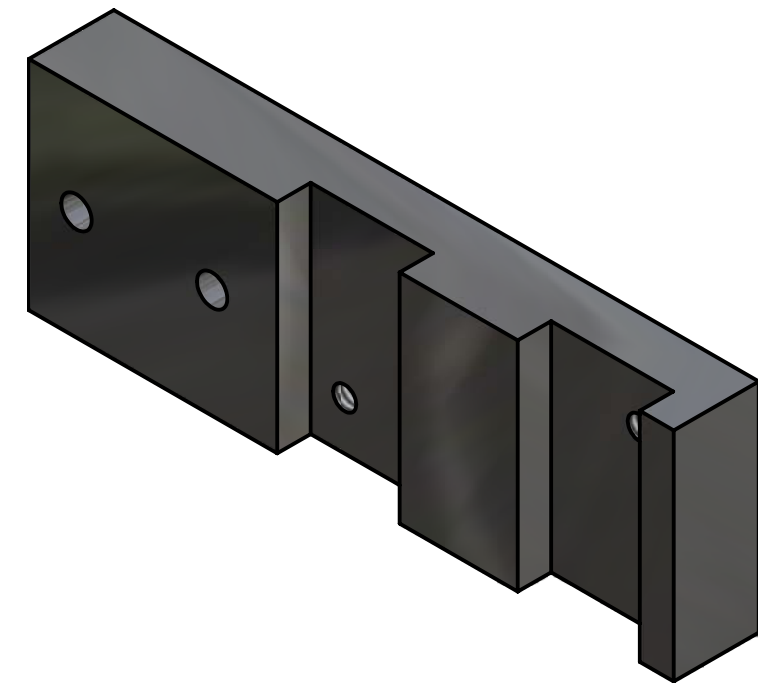


REV	DRWN	CHK'D	DATE	DESCRIPTION
-----	------	-------	------	-------------



SCALE 2 : 1

TOLERANCES UNLESS OTHERWISE NOTED:
 FRACTIONAL: 0"-6": ±1/64" 6"-24": ±1/32"
 24"+: ±1/16"
 DECIMAL: X.X: ±0.1000" X.XX: ±0.0100"
 X.XXX: ±0.0050" X.XXXX: ±0.0001"
 ANGLES: ±0.5° FINISH: 125 MICRO INCHES
 BREAK ALL SHARP EDGES & CORNERS 1/64" MAX

MATERIAL	FINISH
DELRIN, BLACK	



DRAWN	vernon	3/25/2004
CHECKED		
DESIGNED	vernon	
ENGINEER	vernon	

QTY: 1

PROJECT CODE		DWG NO	REV
NEXT ASSY		A3012	A
A3015			1

Cassegrain ADC

2 FIDUCIAL MOUNT

4

3

2

1

4

3

2

1