

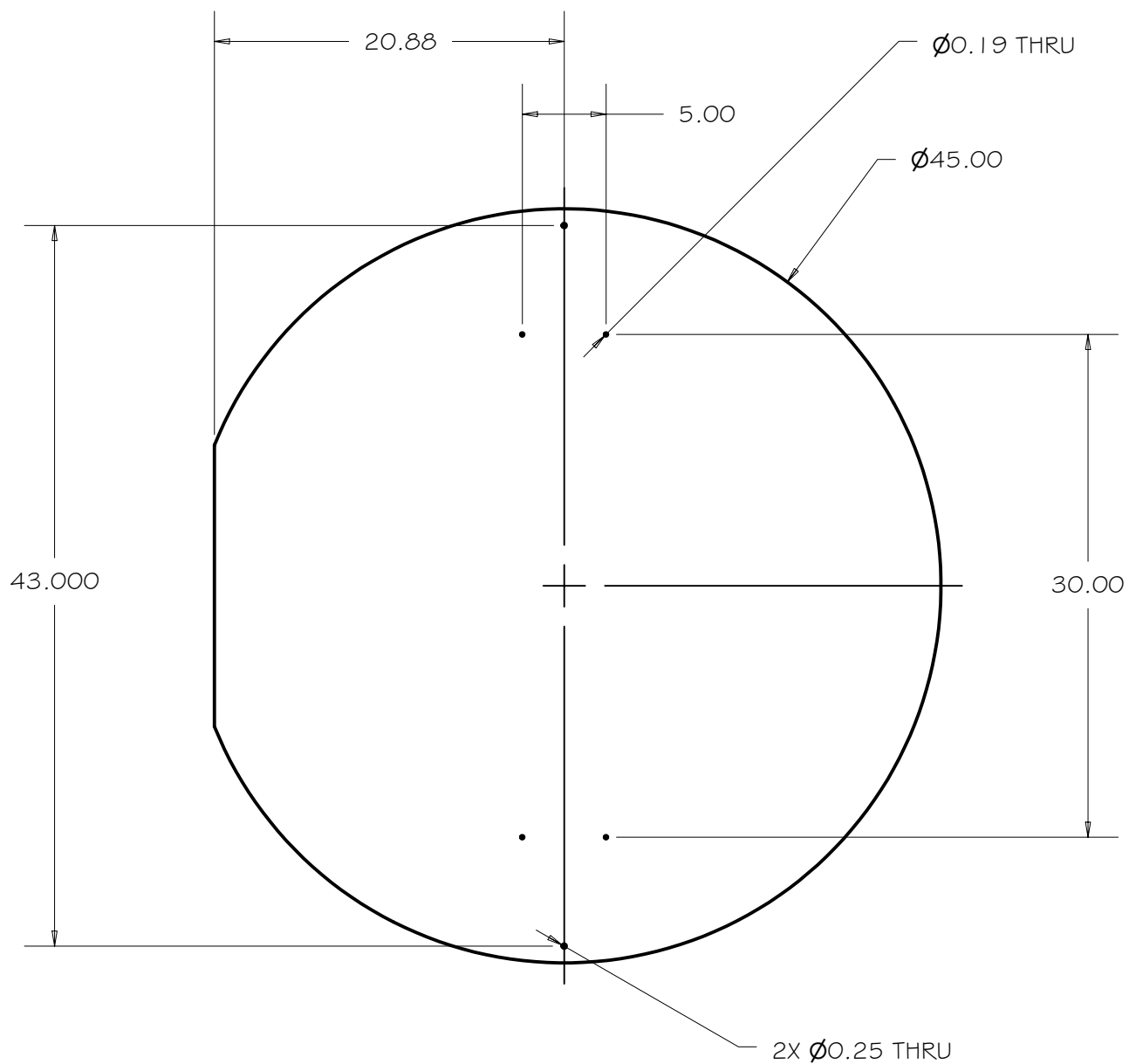
4

3

2

1

REV	DRWN	CHK'D	DATE	DESCRIPTION

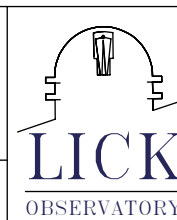


SCALE 1 / 10

TOLERANCES UNLESS OTHERWISE NOTED:
 FRACTIONAL: 0"-6": ±1/64" 6"-24": ±1/32"
 24"+: ±1/16"
 DECIMAL: X.X: ±0.1000" X.XX: ±0.0100"
 X.XXX: ±0.0050" X.XXXX: ±0.0001"
 ANGLES: ±0.5° FINISH: 125 MICRO INCHES
 BREAK ALL SHARP EDGES & CORNERS 1/64" MAX

MATERIAL
 6061 T6
 ALUMINUM

FINISH



DRAWN vernon 3/23/2004
 CHECKED
 DESIGNED vernon
 ENGINEER vernon

QTY: 2

Cassegrain ADC
 TITLE
 COVER, PLATE
 PROJECT CODE
 NEXT ASSY A1510
 DWG NO
 A1537
 REV
 A
 1/1