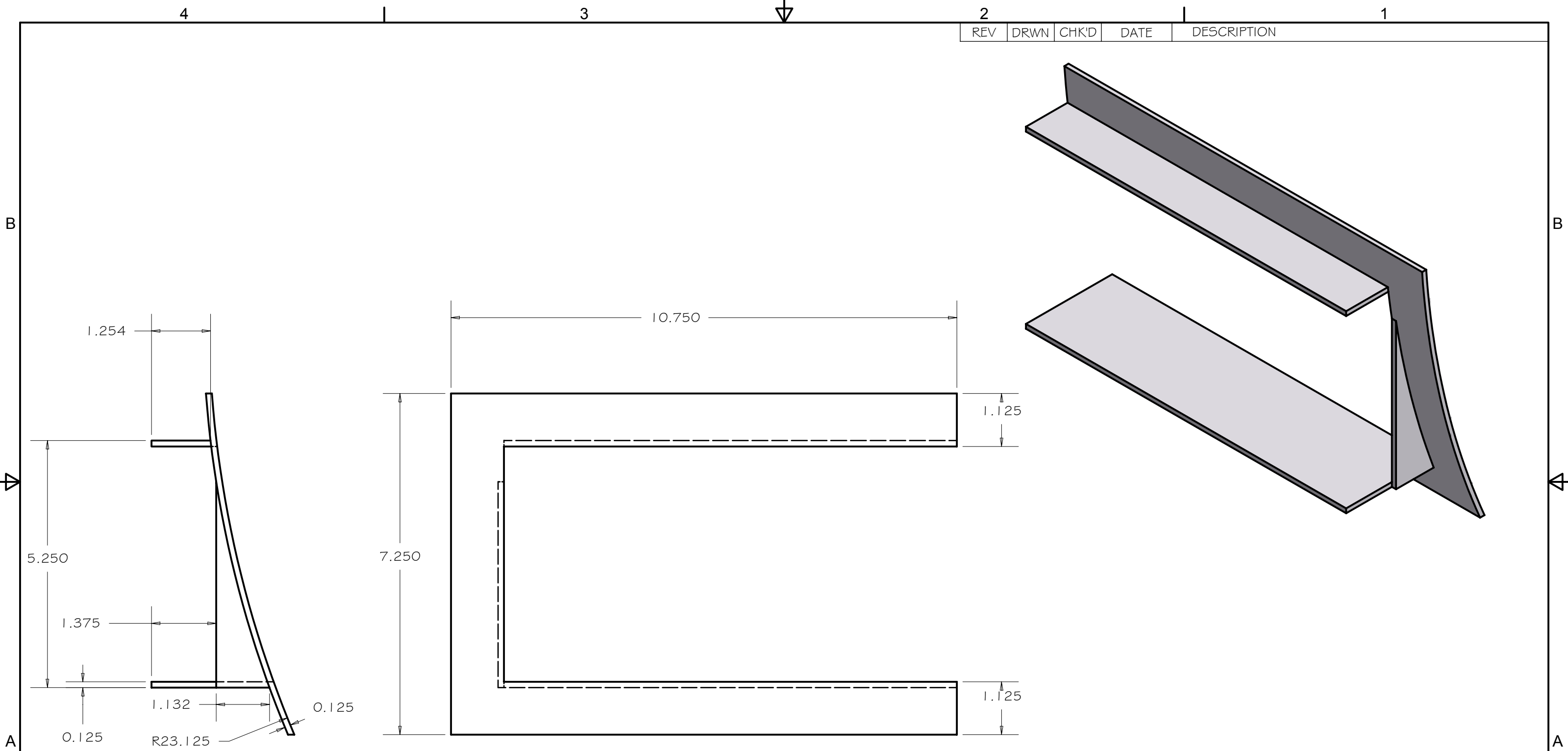


REV	DRWN	CHK'D	DATE	DESCRIPTION



TOLERANCES UNLESS OTHERWISE NOTED:
 FRACTIONAL: 0"-6": ±1/64" 6"-24": ±1/32"
 24"+: ±1/16"
 DECIMAL: X.X: ±0.1000" X.XX: ±0.0100"
 X.XXX: ±0.0050" X.XXXX: ±0.0001"
 ANGLES: ±0.5° FINISH: 125 MICRO INCHES
 BREAK ALL SHARP EDGES & CORNERS 1/64" MAX

MATERIAL: 6061 T6 ALUMINUM



DRAWN: vernon 3/23/2004
 CHECKED:
 DESIGNED: vernon
 ENGINEER: vernon
 QTY: 1

Cassegrain ADC

TITLE: CLADDING FRAME, HARDPOINT

PROJECT CODE: A1000 DWG NO: A1535

REV: A