

4

3

2

1

REV	DRWN	CHK'D	DATE	DESCRIPTION
-----	------	-------	------	-------------

B

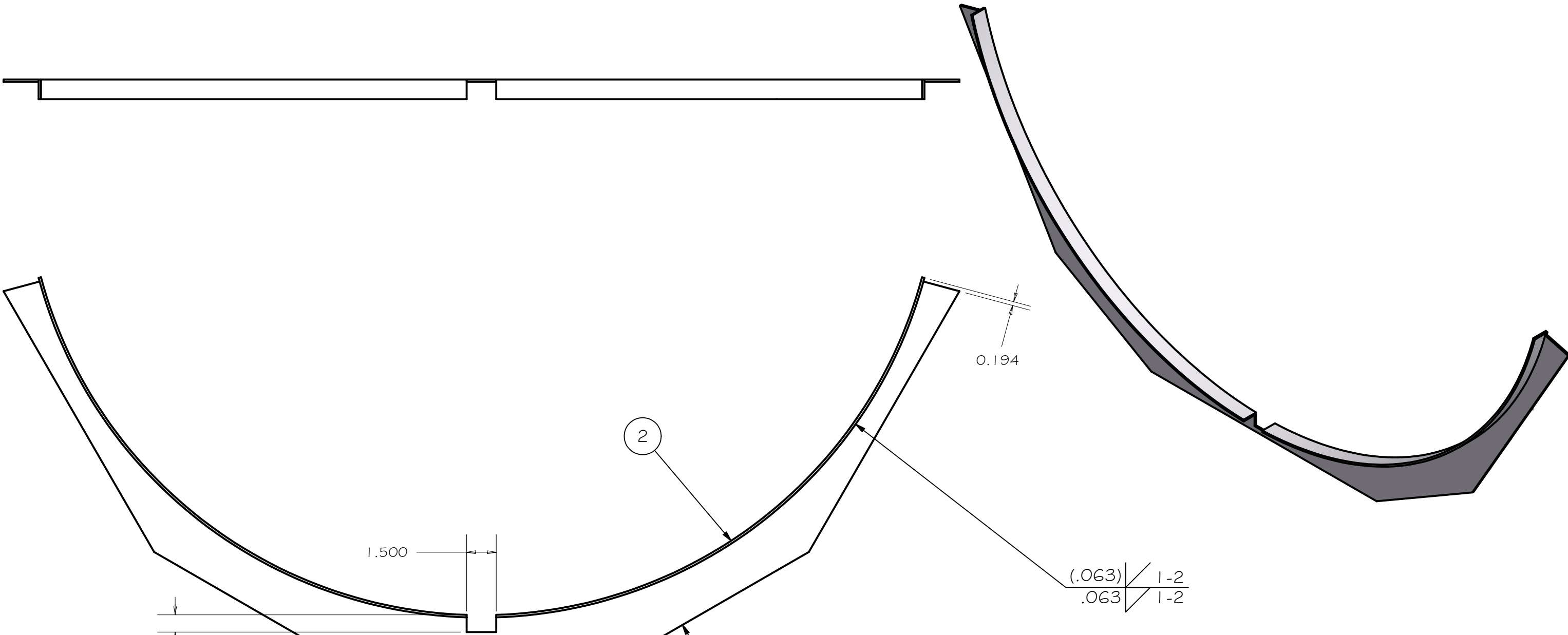
B

A

A

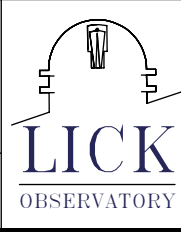
A

A



Parts List			
ITEM	QTY	PART NUMBER	DESCRIPTION
1	1	A1511	CLADDING PLATE, FWD UPPER
2	1	A1512	CLADDING RING, FWD UPPER

TOLERANCES UNLESS OTHERWISE NOTED:
 FRACTIONAL: 0"-6": ±1/64" 6"-24": ±1/32"
 24"+: ±1/16"
 DECIMAL: X.X: ±0.1000" X.XX: ±0.0100"
 X.XXX: ±0.0050" X.XXXX: ±0.0001"
 ANGLES: ±0.5° FINISH: 125 MICRO INCHES
 BREAK ALL SHARP EDGES & CORNERS 1/64" MAX



DRAWN: vernon 3/23/2004
 CHECKED: _____
 DESIGNED: vernon
 ENGINEER: vernon

Cassegrain ADC
 TITLE: CLADDING FRAME, FWD UPPER
 PROJECT CODE: A1000
 DWG NO: A1513
 REV: A