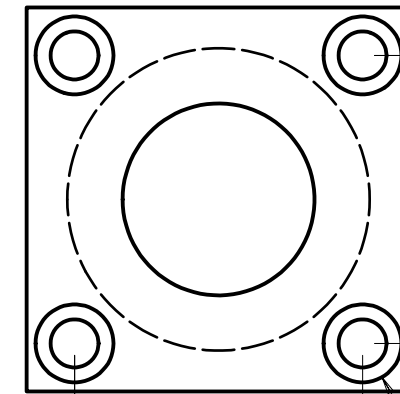
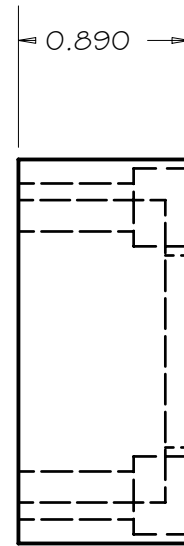
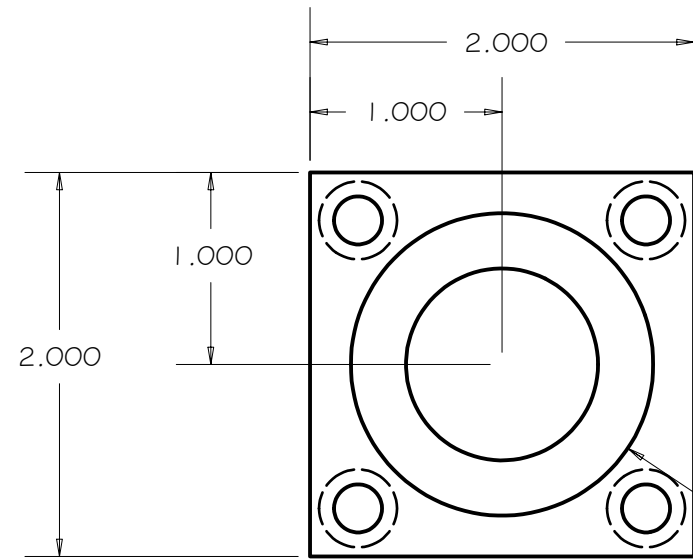


| REV | DRWN | CHK'D | DATE | DESCRIPTION |
|-----|------|-------|------|-------------|
| | | | | |



$\phi 1.000$ THRU
 $\square \phi 1.575 \nabla 0.765$

4X $\phi 0.250$ THRU
 $\square \phi 0.406 \nabla 0.290$

TOLERANCES UNLESS OTHERWISE NOTED:
 FRACTIONAL: 0"-6": $\pm 1/64"$ 6"-24": $\pm 1/32"$
 24"+: $\pm 1/16"$
 DECIMAL: X.X: $\pm 0.1000"$ X.XX: $\pm 0.0100"$
 X.XXX: $\pm 0.0050"$ X.XXXX: $\pm 0.0001"$
 ANGLES: $\pm 0.5^\circ$ FINISH: 125 MICRO INCHES
 BREAK ALL SHARP EDGES & CORNERS 1/64" MAX

| | |
|----------|--------|
| MATERIAL | FINISH |
| STEEL | |



| | | |
|----------|--------|----------|
| DRAWN | vernon | 9/4/2003 |
| CHECKED | | |
| DESIGNED | vernon | |
| ENGINEER | vernon | |
| QTY: 1 | | |

| | | | |
|--------------|--|--------|-----|
| PROJECT CODE | | DWG NO | REV |
| NEXT ASSY | | A1213 | A |
| A1200 | | | 1 |

Cassegrain ADC

BEARING CAP

4

3

2

1

4

3

2

1

B

B

A

A