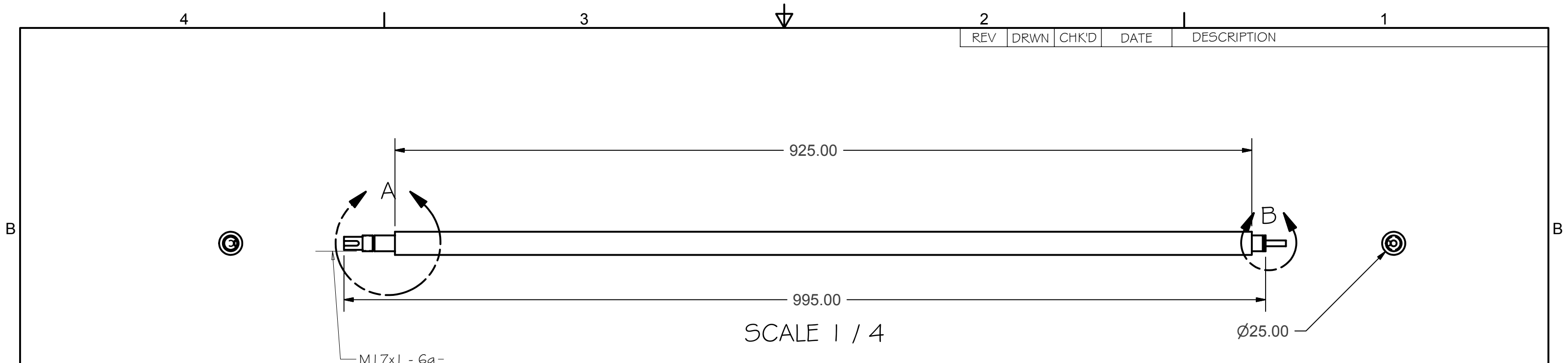
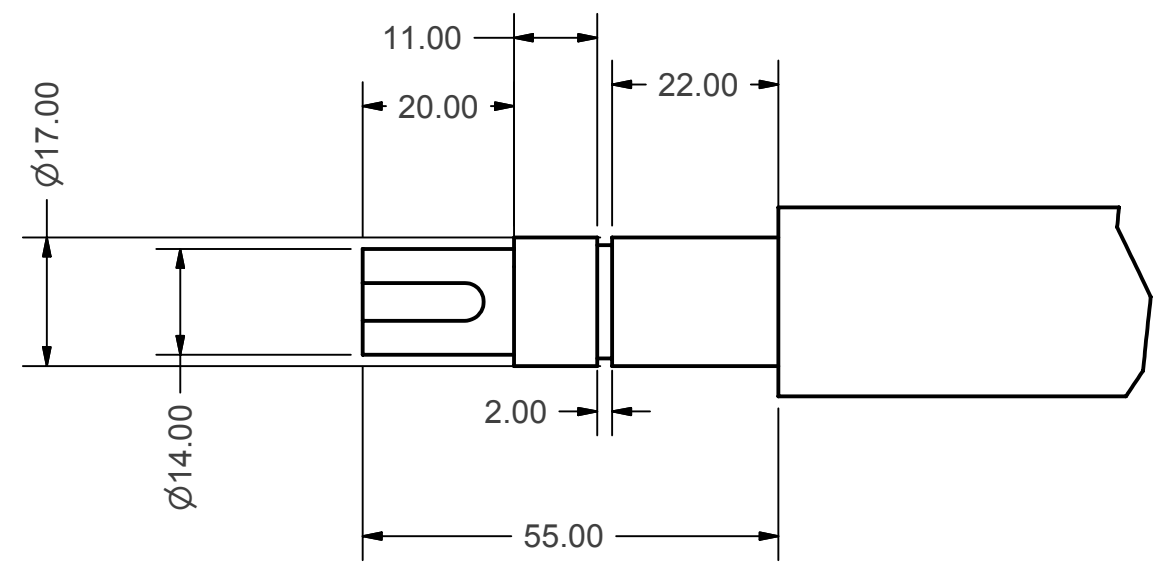


REV	DRWN	CHK'D	DATE	DESCRIPTION



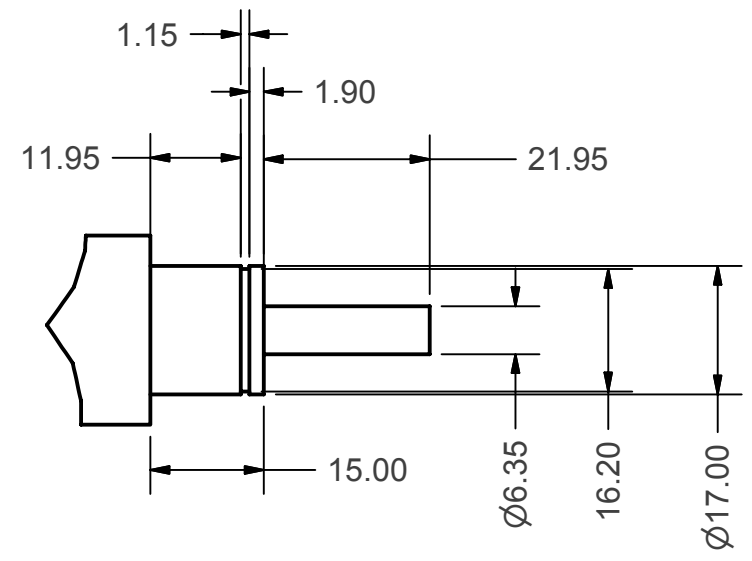
SCALE 1 / 4

NOTES:
THK BNF 2505-5RR G2+925L C2 AP-CF BALL SCREW



RECOMMENDED SHAFT END SHAPE A
SHORTENED 5 MM
P.100 THK CATALOG 75-1 BE

DETAIL A
SCALE 1 : 1



RECOMMENDED SHAFT END SHAPE C
P. 104 THK CATALOG 75-1 BE
WITH Ø6.35 mm EXTENSION

DETAIL B
SCALE 1 : 1

TOLERANCES UNLESS OTHERWISE NOTED:
FRACTIONAL: 0"-6": ±1/64" 6"-24": ±1/32"
24"+: ±1/16"
DECIMAL: X.X: ±0.1000" X.XX: ±0.0100"
X.XXX: ±0.0050" X.XXXX: ±0.0001"
ANGLES: ±0.5° FINISH: 125 MICRO INCHES
BREAK ALL SHARP EDGES & CORNERS 1/64" MAX



DRAWN	vernon	2/3/2004
CHECKED		
DESIGNED	vernon	
ENGINEER		

Cassegrain ADC	
TITLE BALL SCREW, FWD	
PROJECT CODE A1200	DWG NO A1210
REV A	1/1