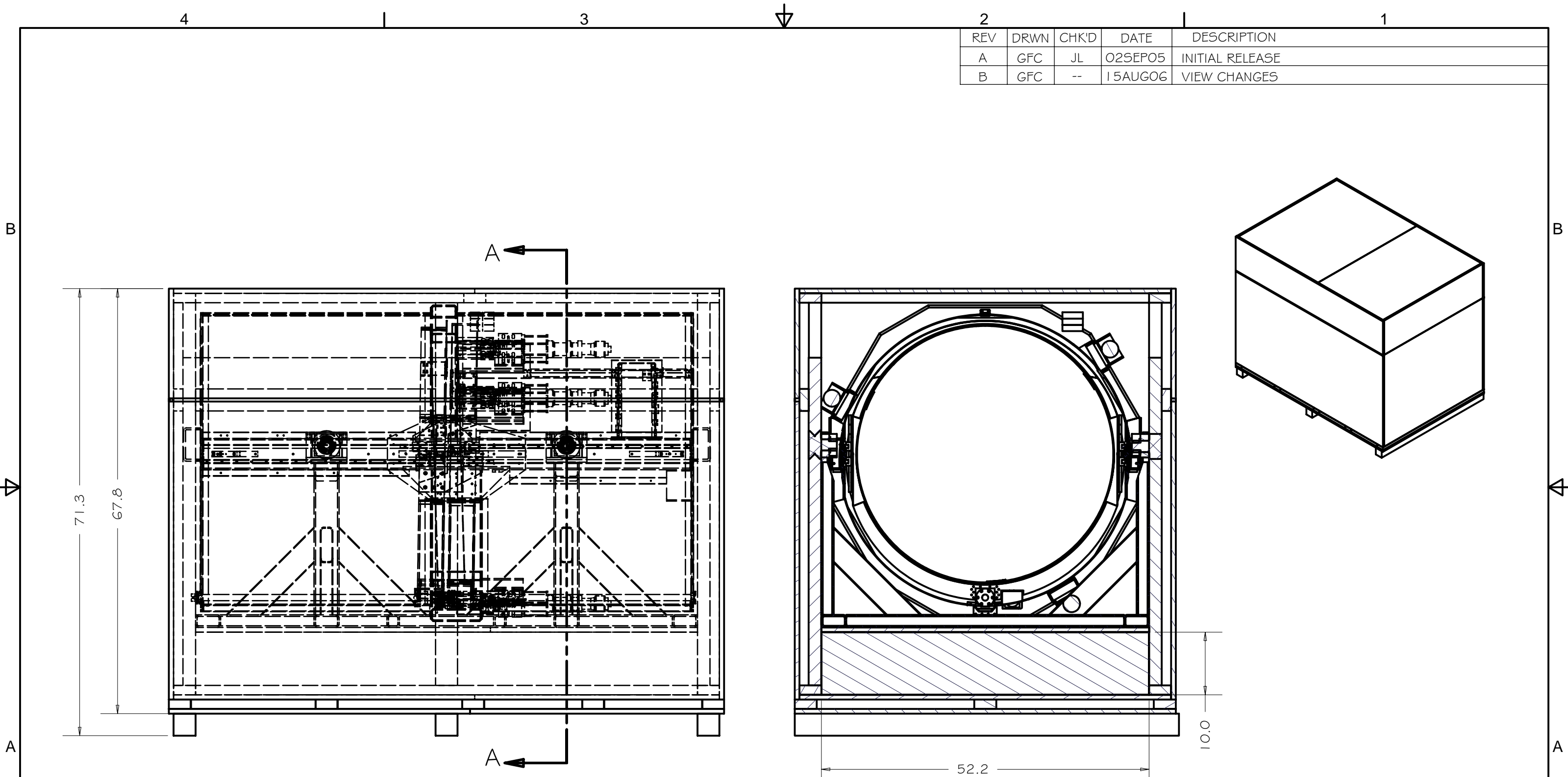


REV	DRWN	CHK'D	DATE	DESCRIPTION
A	GFC	JL	02SEP05	INITIAL RELEASE
B	GFC	--	15AUG06	VIEW CHANGES



NOTES

- 1 HARDPOINTS/MOUNTS MUST BE REMOVED PRIOR TO PACKAGING
- 2 APPROXIMATE TOTAL SHIPPING WEIGHT, 2650 LBS

TOLERANCES UNLESS OTHERWISE NOTED:
 FRACTIONAL: 0"-6": ±1/64" 6"-24": ±1/32"
 24"+: ±1/16"
 DECIMAL: X.X: ±0.1000" X.XX: ±0.0100"
 X.XXX: ±0.0050" X.XXXX: ±0.0001"
 ANGLES: ±0.5° FINISH: 125 MICRO INCHES
 BREAK ALL SHARP EDGES & CORNERS 1/64" MAX

MATERIAL	FINISH
PARTS LIST	



DRAWN	CABAK	9/2/2005
CHECKED	LEWIS	
DESIGNED	CABAK	
ENGINEER	CABAK	

Cassegrain ADC	
TITLE PACKAGING PLAN	
PROJECT CODE KKADIN	DWG NO A8208
NEXT ASSY NA	

REV	B
	1/3