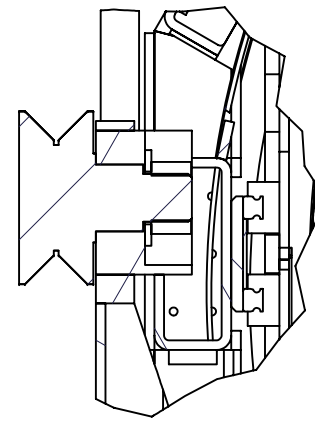
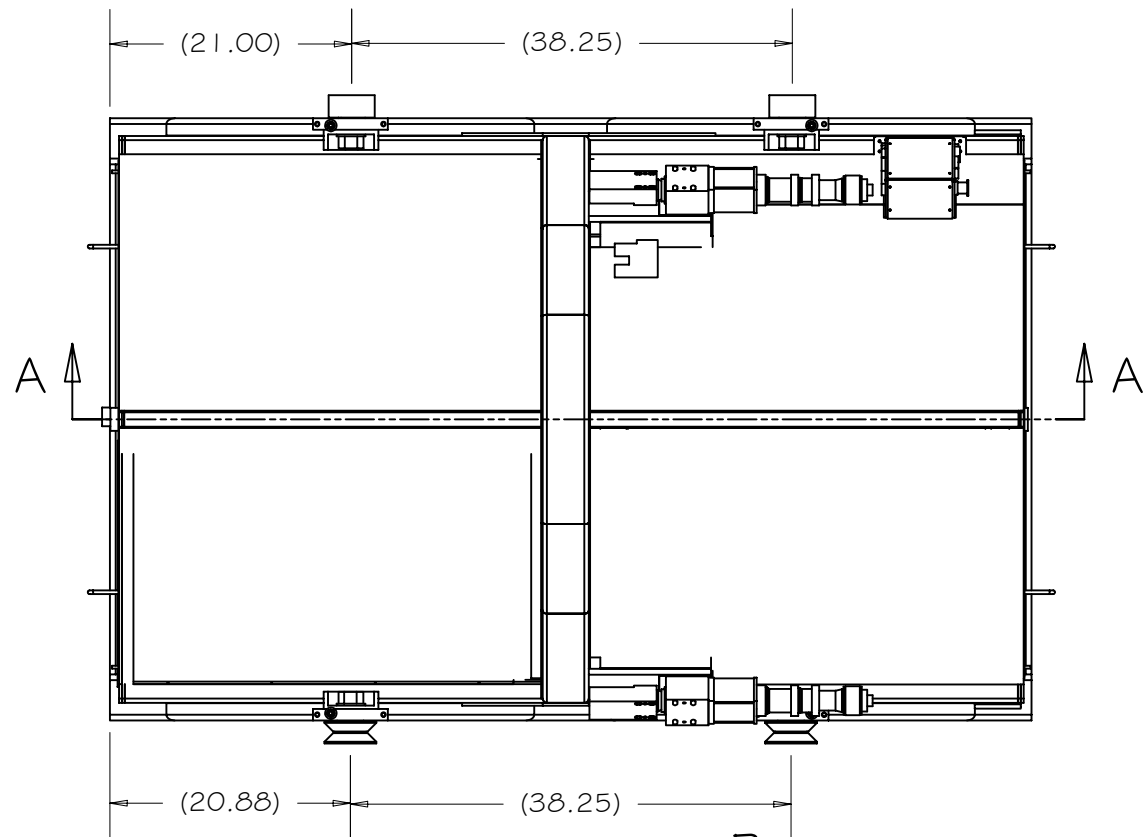
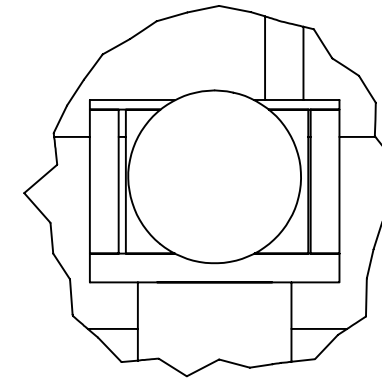


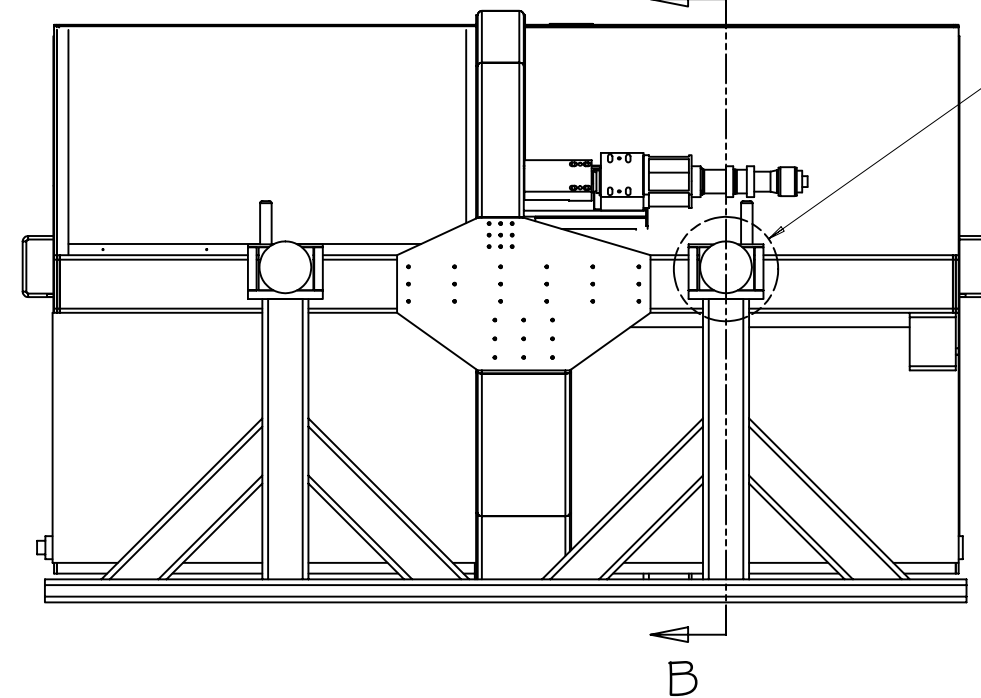
REV	DRWN	CHK'D	DATE	DESCRIPTION
A	GFC	GFC	07SEP05	INITIAL RELEASE
B	GFC	--	1GAUG06	ADDED NOTE # ADDITIONAL VIEWS



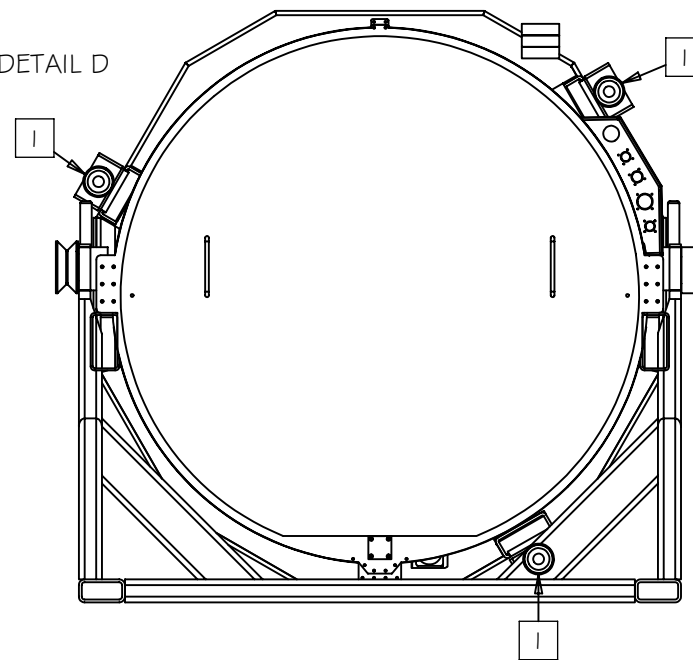
DETAIL C



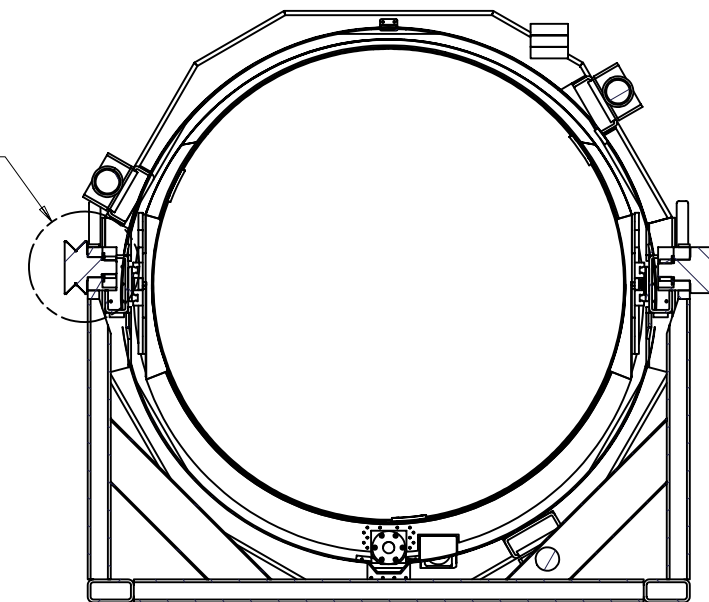
DETAIL D



DETAIL D



DETAIL C



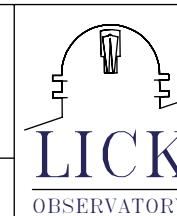
SECTION B-B

NOTES

- 1 REMOVE HARDPOINTS PRIOR TO INSTALLING ADC ONTO CARRIAGE
- 2 APPROXIMATE WEIGHT, 1720 LBS

TOLERANCES UNLESS OTHERWISE NOTED:  
 FRACTIONAL: 0"-6": ±1/64" 6"-24": ±1/32"  
 24"+: ±1/16"  
 DECIMAL: X.X: ±0.1000" X.XX: ±0.0100"  
 X.XXX: ±0.0050" X.XXXX: ±0.0001"  
 ANGLES: ±0.5° FINISH: 125 MICRO INCHES  
 BREAK ALL SHARP EDGES & CORNERS 1/64" MAX

MATERIAL FINISH



DRAWN CABAK 3/25/2004  
 CHECKED CABAK  
 DESIGNED CABAK  
 ENGINEER CABAK

Cassegrain ADC  
 TITLE ADC # CARRIAGE  
 PROJECT CODE KKADIN DWG NO A8207  
 NEXT ASSY NA  
 REV B 1/2

4

3

2

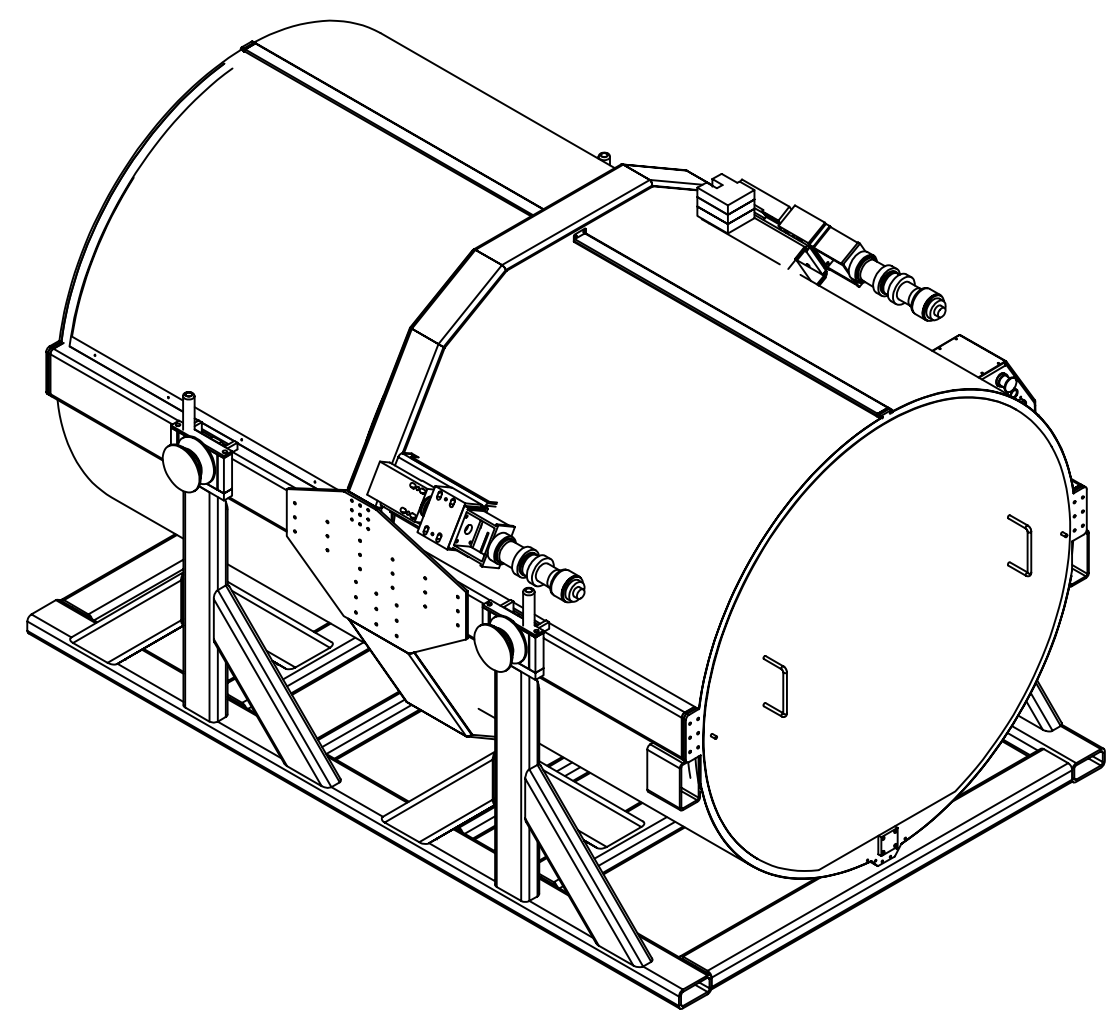
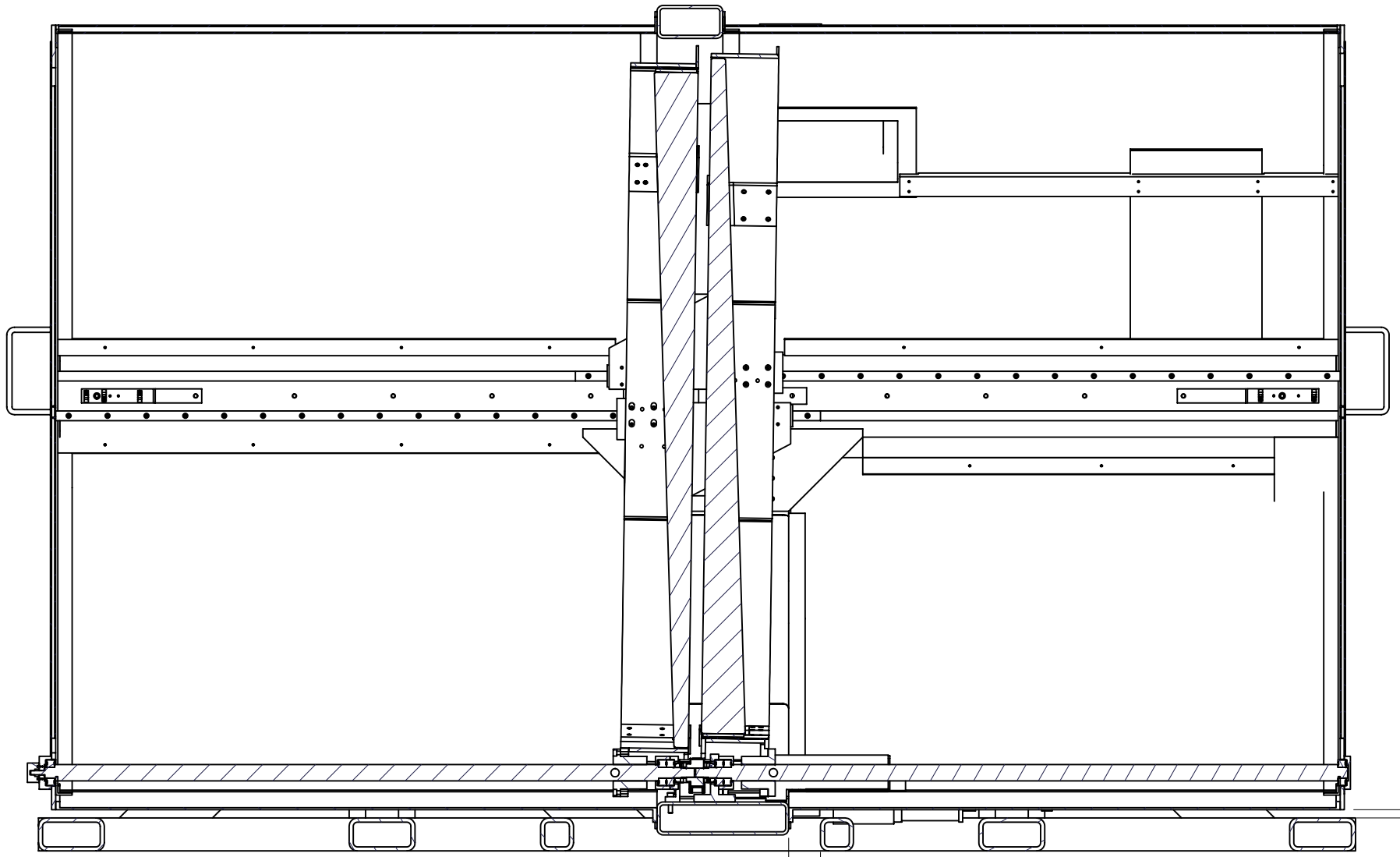
1

B

B

A

A



CLEARANCE (0.50)

CLEARANCE (1.93)

SECTION A-A

<b>Cassegrain ADC</b>			
TITLE ADC # CARRIAGE			
PROJECT CODE	KKADIN	DWG NO	A8207
NEXT ASSY	NA	REV	B 2/2

4

3

2

1