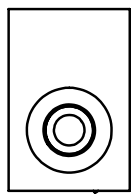
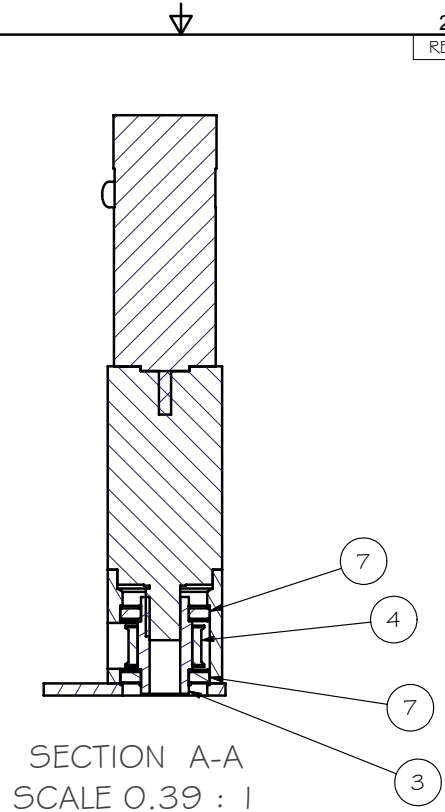
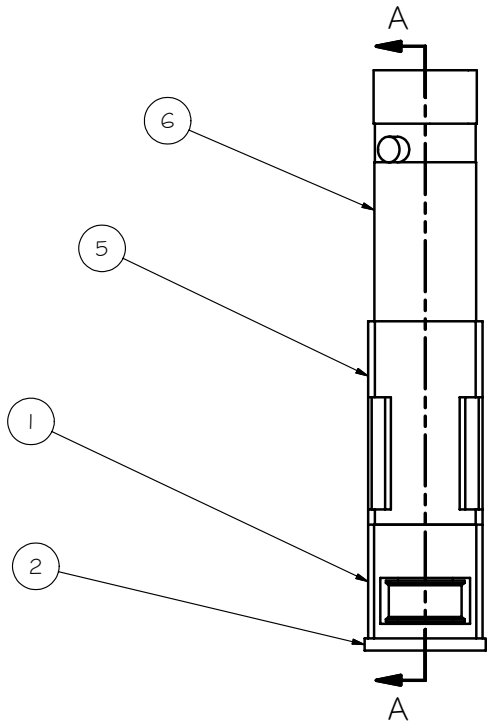


4	3	2	1
REV	DRWN	CHKD	DATE
			DESCRIPTION



Parts List			
ITEM	QTY	PART NUMBER	DESCRIPTION
1	1	A1310	PULLEY HOUSING
2	1	A1311	HOUSING COVER
3	1	A1312	SHAFT, MOTOR PULLEY
4	1	A1313	PIC PULLEY PT024G08L15T, MOTOR
5	1	GEARBOX	BAYSIDE PS-60 GEARBOX
6	1	MOTOR	Galil_50-1000
7	2	skf 16005	SKF 16005

TOLERANCES UNLESS OTHERWISE NOTED: FRACTIONAL: 0"-6": ±1/64" 6"-24": ±1/32" 24": ±1/16" DECIMAL: X.X: ±0.1000" X.XX: ±0.0100" X.XXX: ±0.0050" X.XXXX: ±0.0001" ANGLES: ±0.5° FINISH: 125 MICRO INCHES BREAK ALL SHARP EDGES & CORNERS 1/64" MAX		DRAWN: vernon CHECKED: 8/15/2003 DESIGNED: vernon ENGINEER: vernon	PROJECT CODE: A1000 NEXT ASSY: A1000	Cassegrain ADC TITLE: MOTOR / GEARBOX ASSEMBLY DWG NO: A1300	QTY: 1 LICK OBSERVATORY NET A 1/1
---	--	---	---	--	---