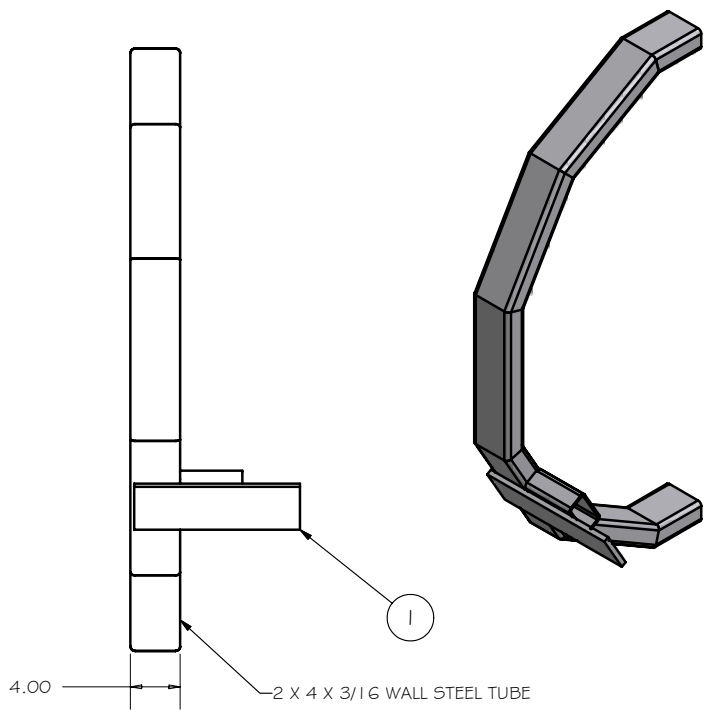
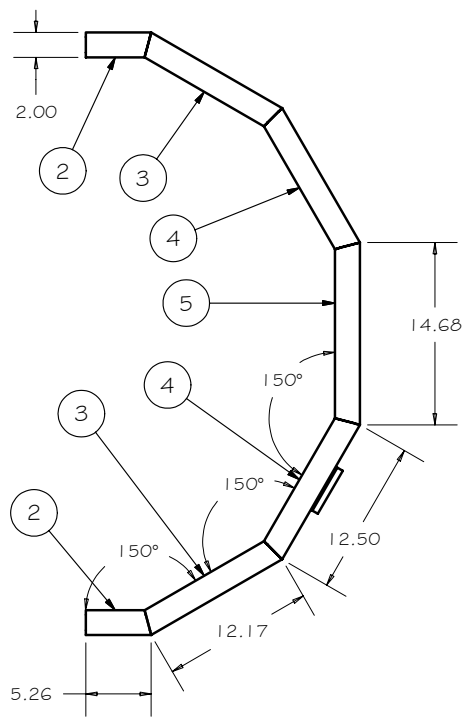


REV	DRWN	CHKD	DATE	DESCRIPTION
-----	------	------	------	-------------



SCALE 1 / 10

Parts List			
ITEM	QTY	PART NUMBER	DESCRIPTION
1	1	AI155	HARDPOINT MOUNT PAD
2	2	AI161	BASE TUBE 7
3	2	AI162	BASE TUBE 8
4	2	AI163	BASE TUBE 10
5	1	AI164	BASE TUBE 9
6	1	AI165	BASE TUBE 1

TOLERANCES UNLESS OTHERWISE NOTED:  
 FRACTIONAL: 0"-6": ±1/64" 6"-24": ±1/32"  
 24": ±1/16"  
 DECIMAL: X.X: ±0.1000" X.XX: ±0.0100"  
 X.XXX: ±0.0050" X.XXXX: ±0.0001"  
 ANGLES: ±0.5° FINISH: 125 MICRO INCHES  
 BREAK ALL SHARP EDGES & CORNERS 1/64" MAX

MATERIAL: STEEL FINISH:



DRAWN: vernon	9/3/2003	
CHECKED:		
DESIGNED: vernon		
ENGINEER: vernon		TITLE: FRAME WELDMENT, LOWER
		PROJECT CODE: AI100
		DWG NO: AI160

NET  
A  
1/1