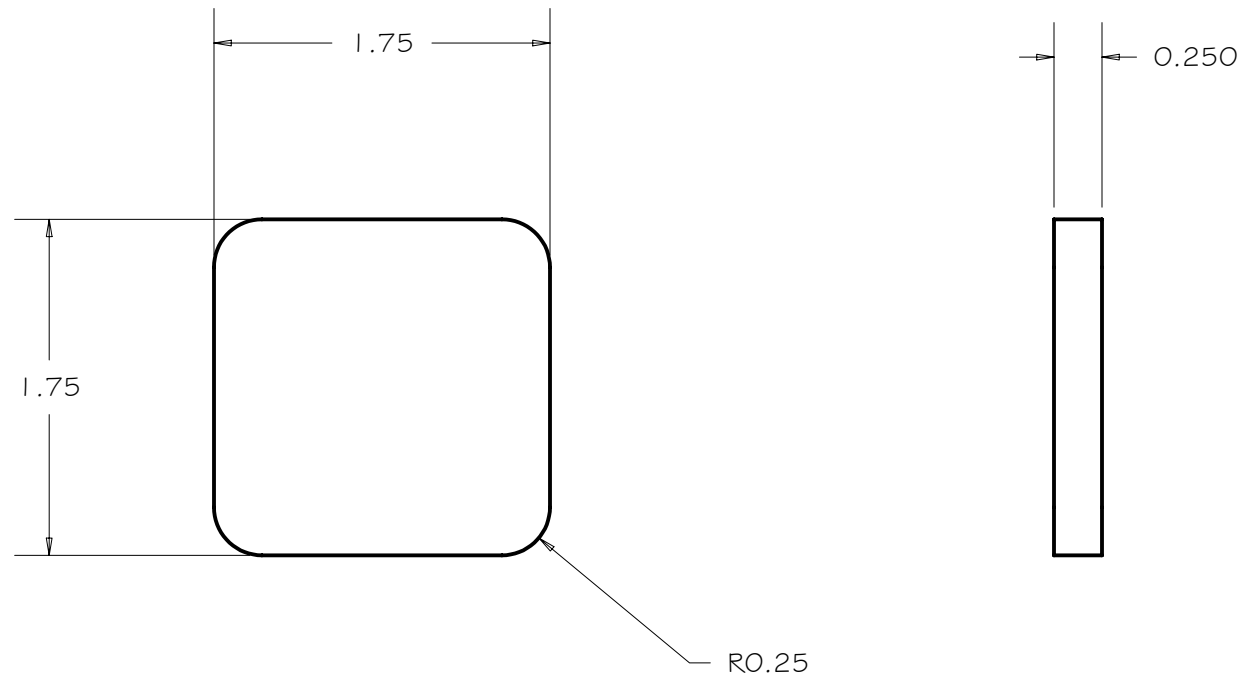
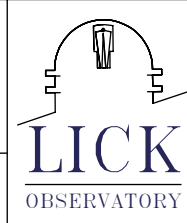


REV	DRWN	CHK'D	DATE	DESCRIPTION
-----	------	-------	------	-------------



TOLERANCES UNLESS OTHERWISE NOTED:
 FRACTIONAL: 0"-6": ±1/64" 6"-24": ±1/32"
 24"+: ±1/16"
 DECIMAL: X.X: ±0.1000" X.XX: ±0.0100"
 X.XXX: ±0.0050" X.XXXX: ±0.0001"
 ANGLES: ±0.5° FINISH: 125 MICRO INCHES
 BREAK ALL SHARP EDGES & CORNERS 1/64" MAX



DRAWN	vernon	1/24/2005
CHECKED		
DESIGNED	vernon	
ENGINEER	VRW	

Sol-Gel Facility	
TITLE ADC SPREADER, END	
PROJECT CODE SG4116	DWG NO SG4114
REV A	1

MATERIAL STEEL	FINISH
-------------------	--------

QTY: 2

