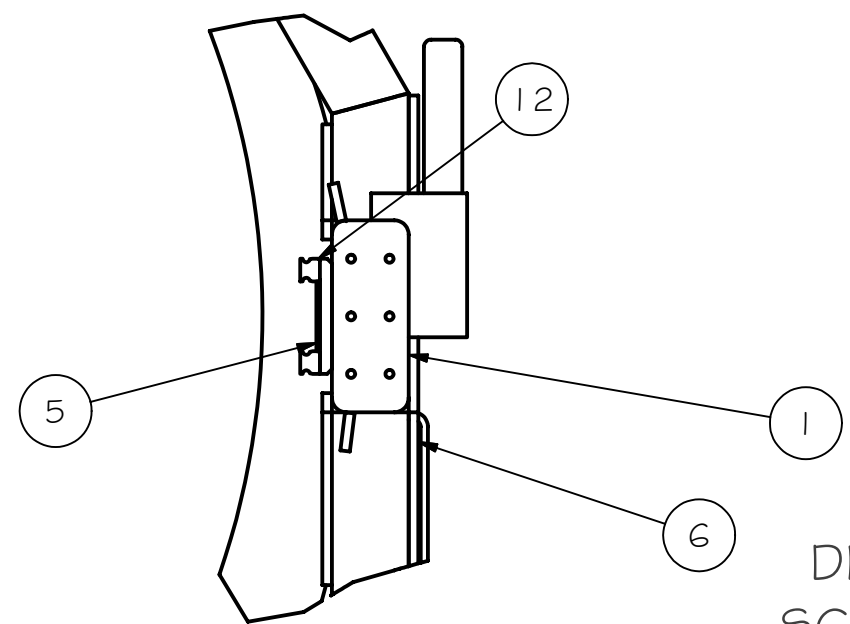
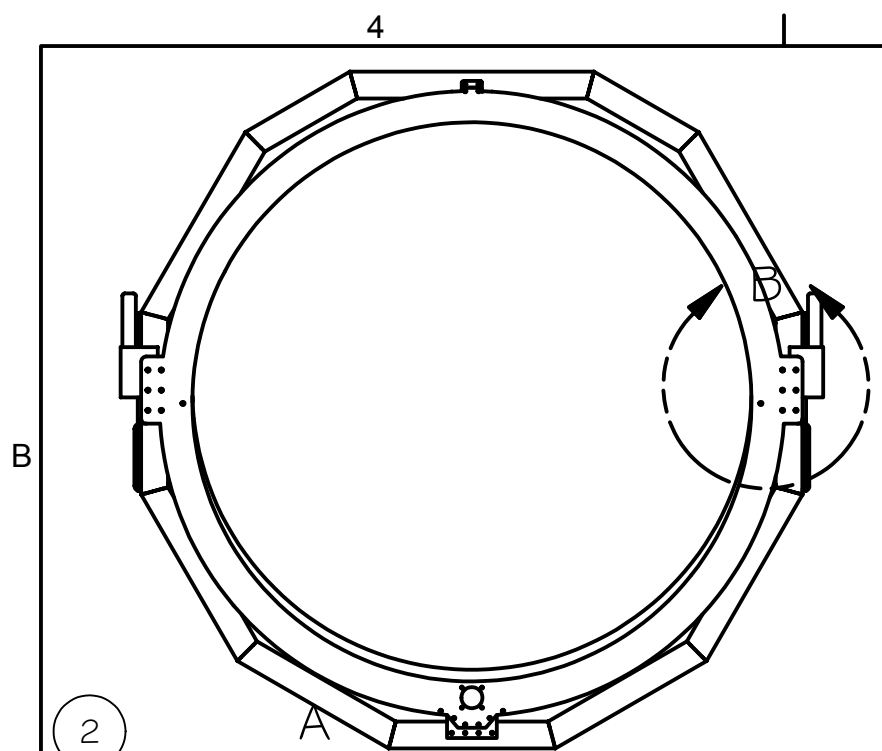
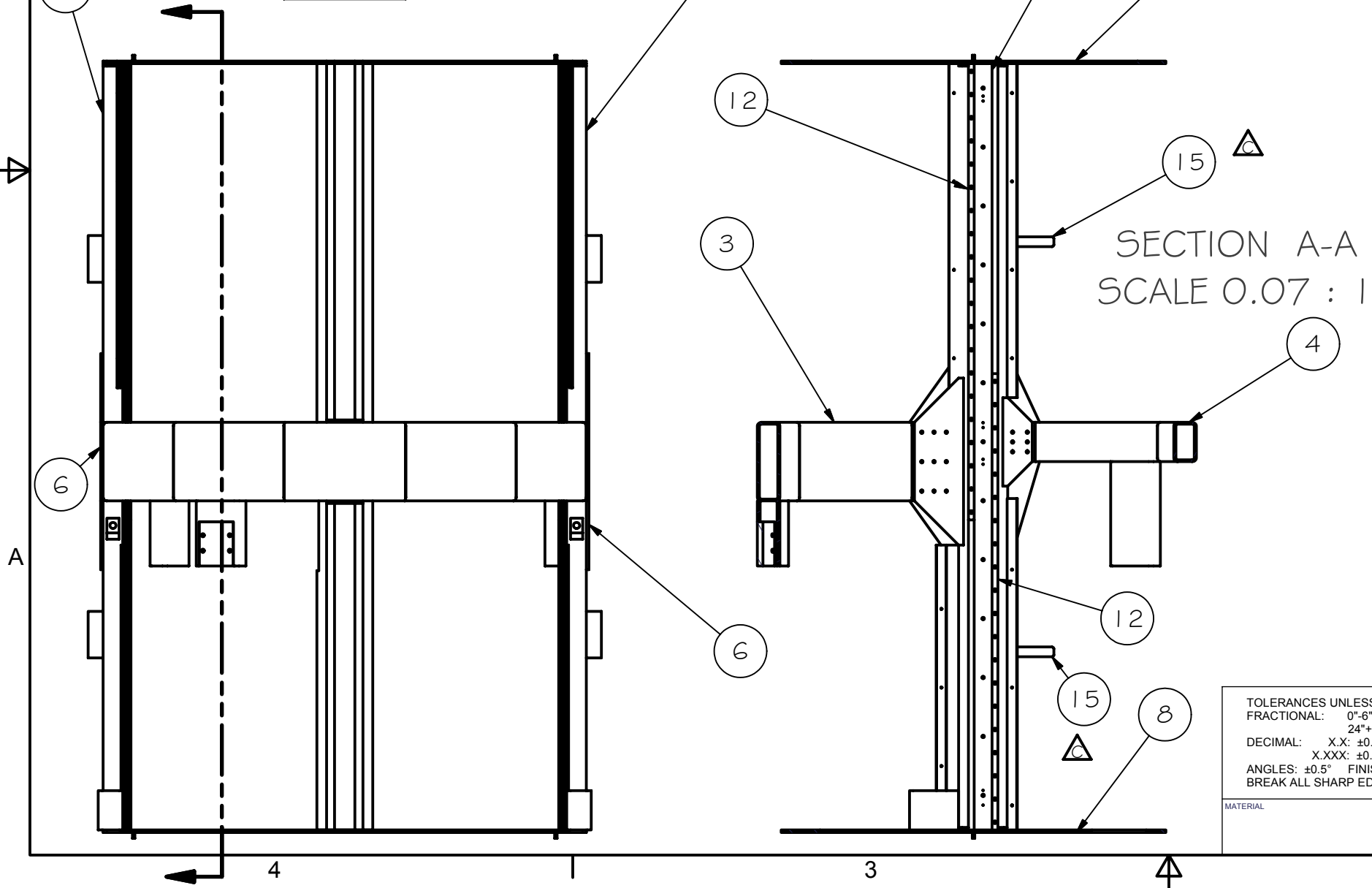


REV	DRWN	CHK'D	DATE	DESCRIPTION
B	VRW	VRW	6/21/04	CHANGE LENGTH
C	VRW	VRW	5/24/05	ADD HANDLES



DETAIL B  
SCALE 1 / 5

SHOWN WITHOUT FRONT RING, ITEM 7



SECTION A-A  
SCALE 0.07 : 1

Parts List			
ITEM	QTY	PART NUMBER	DESCRIPTION
1	1	A1110	SUPPORT WELDMENT, LEFT
2	1	A1130	SUPPORT WELDMENT, RIGHT
3	1	A1150	FRAME WELDMENT, LOWER
4	1	A1160	FRAME WELDMENT, UPPER
5	2	A1170	RAIL SPACER
6	2	A1171	GUSSET, FRAME
7	1	A1172	RING, FWD
8	1	A1173	RING, AFT
9	1	A1528	BALL SCREW SHIELD, FWD
10	1	A1529	BALL SCREW SHIELD, AFT
11	1	A1530	FRAME STIFFENER
12	4	THK_SHS-15_rail	THK SHS-20 RAIL
14	1	A1550	FRAME STIFFENER
15	4	A1175	HANDLE

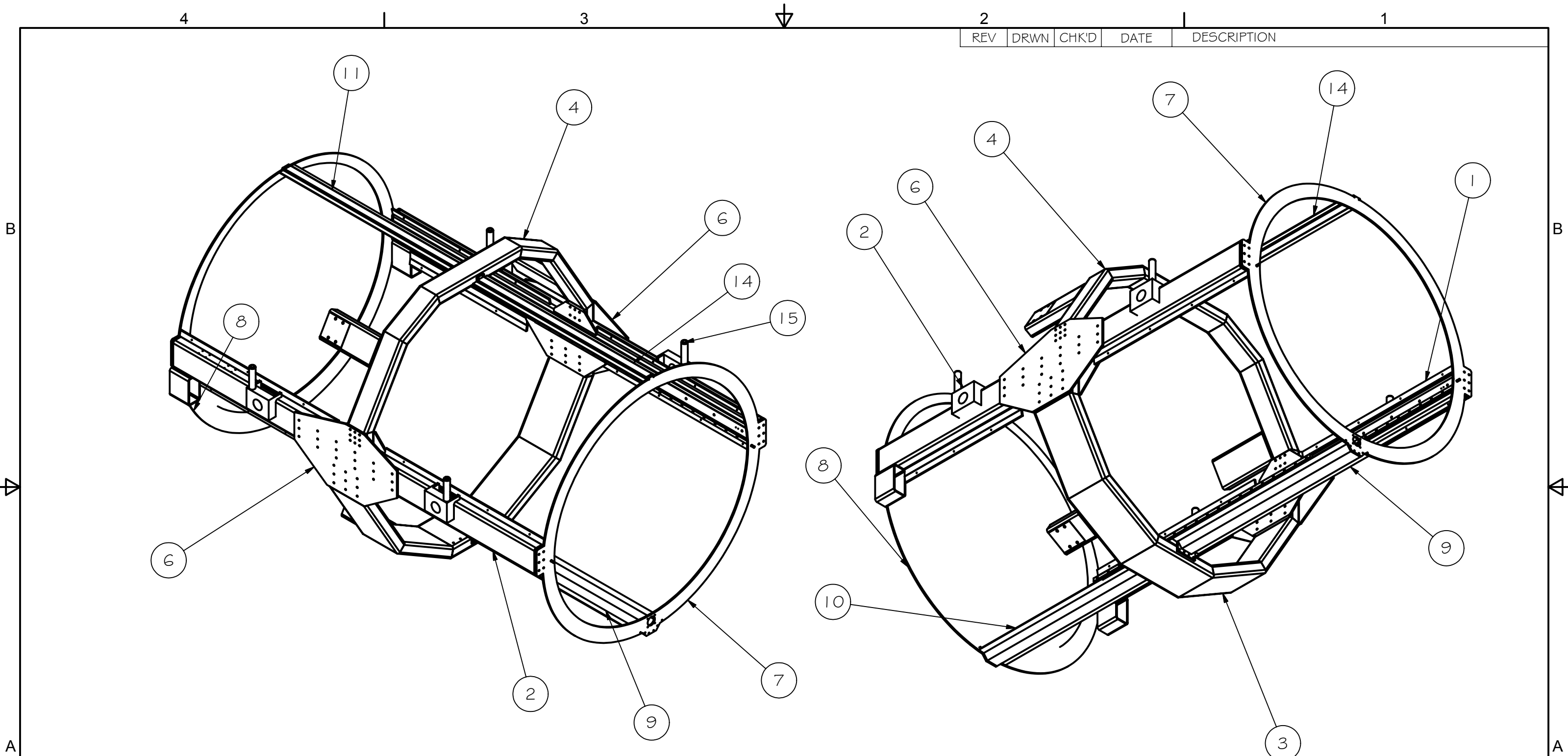
TOLERANCES UNLESS OTHERWISE NOTED:  
 FRACTIONAL: 0"-6": ±1/64" 6"-24": ±1/32"  
 24"+: ±1/16"  
 DECIMAL: X.X: ±0.1000" X.XX: ±0.0100"  
 X.XXX: ±0.0050" X.XXXX: ±0.0001"  
 ANGLES: ±0.5° FINISH: 125 MICRO INCHES  
 BREAK ALL SHARP EDGES & CORNERS 1/64" MAX



DRAWN: vernon 7/22/2003  
 CHECKED: [blank]  
 DESIGNED: vernon  
 ENGINEER: vernon

Cassegrain ADC  
 TITLE: FRAME ASSEMBLY  
 PROJECT CODE: A1000  
 DWG NO: A1100  
 REV: C  
 1/2

MATERIAL	FINISH	QTY: 1	PROJECT CODE: A1000	DWG NO: A1100	REV: C 1/2
----------	--------	--------	---------------------	---------------	---------------



REV	DRWN	CHK'D	DATE	DESCRIPTION

TOLERANCES UNLESS OTHERWISE NOTED:  
 FRACTIONAL: 0"-6": ±1/64" 6"-24": ±1/32"  
 24"+: ±1/16"  
 DECIMAL: X.X: ±0.1000" X.XX: ±0.0100"  
 X.XXX: ±0.0050" X.XXXX: ±0.0001"  
 ANGLES: ±0.5° FINISH: 125 MICRO INCHES  
 BREAK ALL SHARP EDGES & CORNERS 1/64" MAX



DRAWN	vernon	7/22/2003
CHECKED		
DESIGNED	vernon	
ENGINEER	vernon	

PROJECT CODE		DWG NO	REV
NEXT ASSY		A1100	C
A1000		A1100	2/2

Cassegrain ADC

FRAME ASSEMBLY

A1100