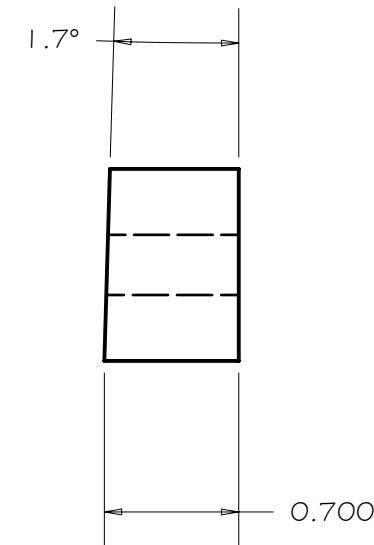
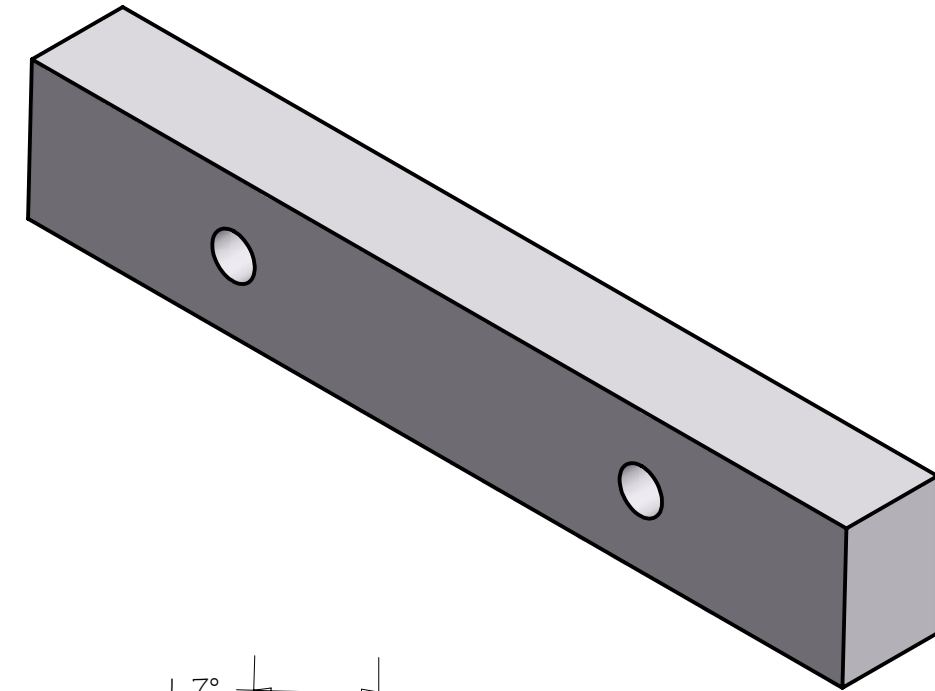
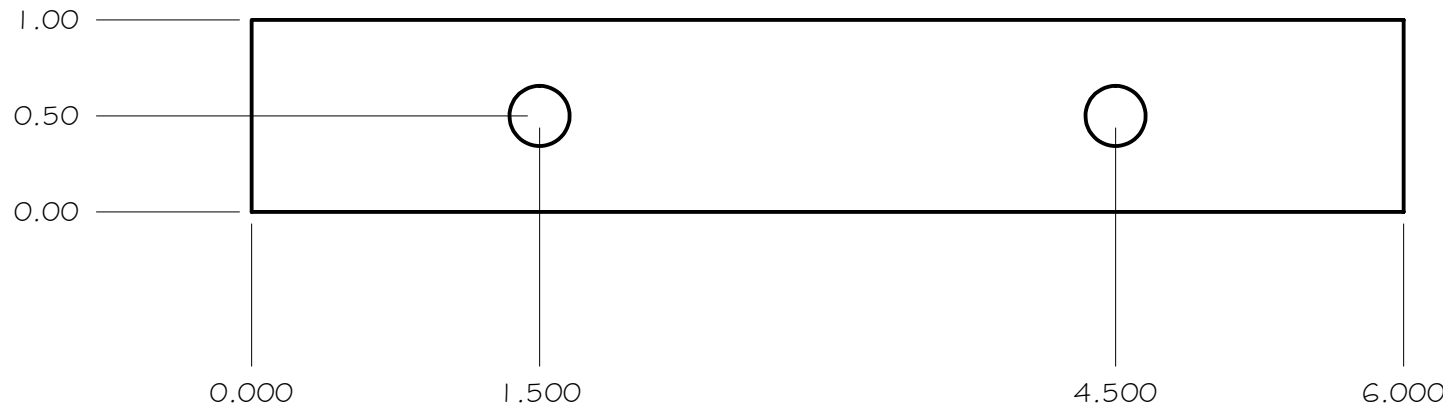
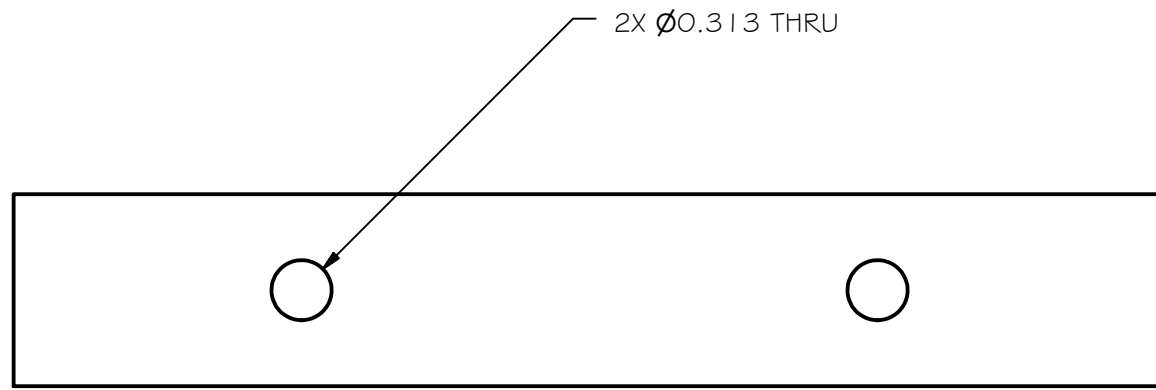


REV	DRWN	CHK'D	DATE	DESCRIPTION

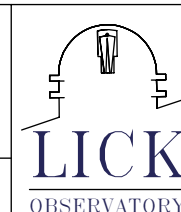


SCALE 1 : 1

TOLERANCES UNLESS OTHERWISE NOTED:  
 FRACTIONAL: 0"-6": ±1/64" 6"-24": ±1/32"  
 24"+: ±1/16"  
 DECIMAL: X.X: ±0.1000" X.XX: ±0.0100"  
 X.XXX: ±0.0050" X.XXXX: ±0.0001"  
 ANGLES: ±0.5° FINISH: 125 MICRO INCHES  
 BREAK ALL SHARP EDGES & CORNERS 1/64" MAX

MATERIAL  
ALUMINUM

FINISH



DRAWN vernon 2/2/2005  
 CHECKED  
 DESIGNED vernon  
 ENGINEER vernon

QTY: 2

Cassegrain ADC

TITLE  
AFT OPTIC SPACER

PROJECT CODE  
NEXT ASSY  
A8060

DWG NO  
A8055

REV  
A