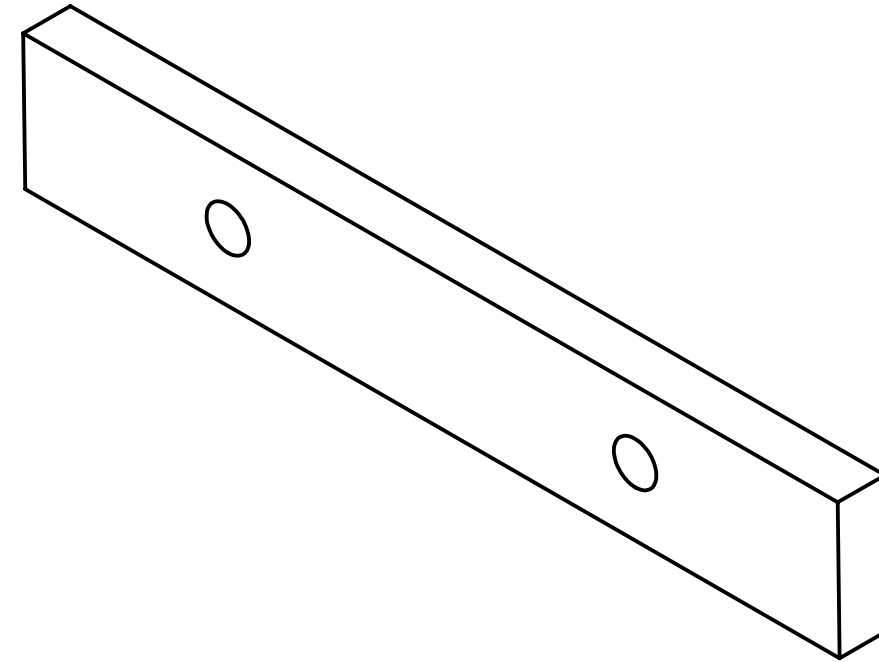
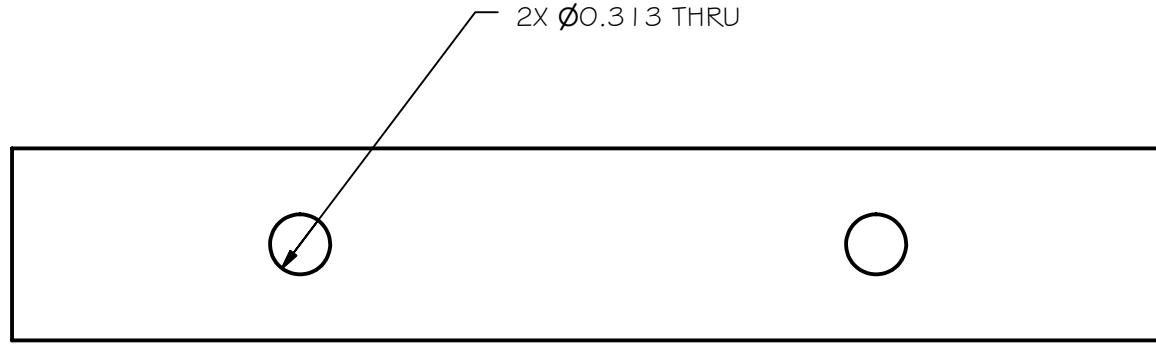
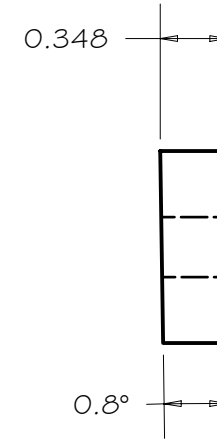
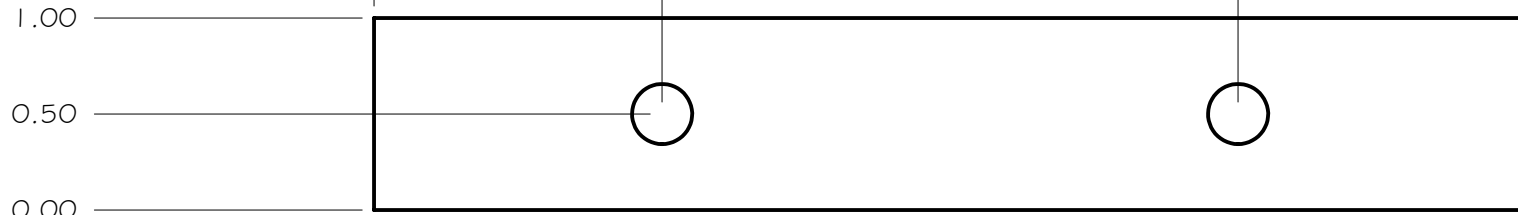


REV	DRWN	CHK'D	DATE	DESCRIPTION



0.000      1.500      4.500      6.000



SCALE 1 : 1

TOLERANCES UNLESS OTHERWISE NOTED:  
 FRACTIONAL: 0"-6": ±1/64"    6"-24": ±1/32"  
                   24"+: ±1/16"  
 DECIMAL:    X.X: ±0.1000"    X.XX: ±0.0100"  
                   X.XXX: ±0.0050"    X.XXXX: ±0.0001"  
 ANGLES: ±0.5°    FINISH: 125 MICRO INCHES  
 BREAK ALL SHARP EDGES & CORNERS 1/64" MAX

MATERIAL  
ALUMINUM

FINISH



DRAWN	vernon	2/2/2005
CHECKED		
DESIGNED	vernon	
ENGINEER	vernon	

QTY: 2

PROJECT CODE		DWG NO	REV
NEXT ASSY		A8054	A
A8060			1

Cassegrain ADC

FWD OPTIC SPACER