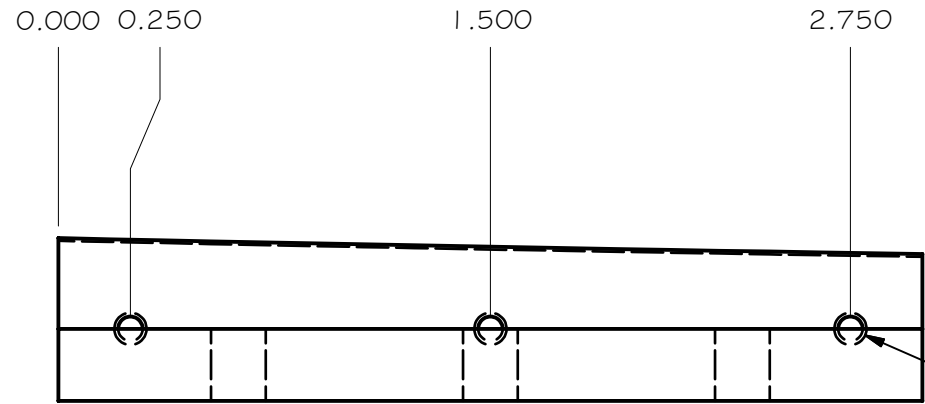
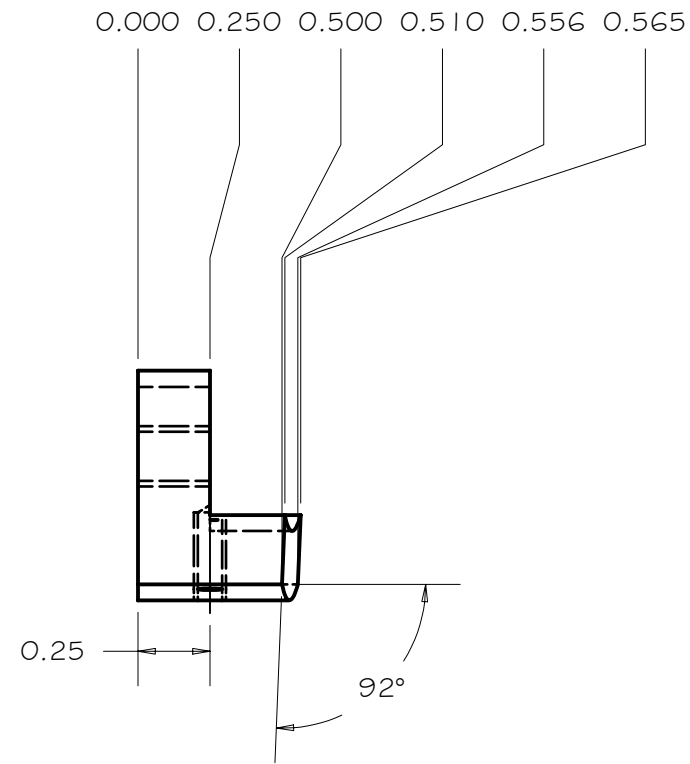
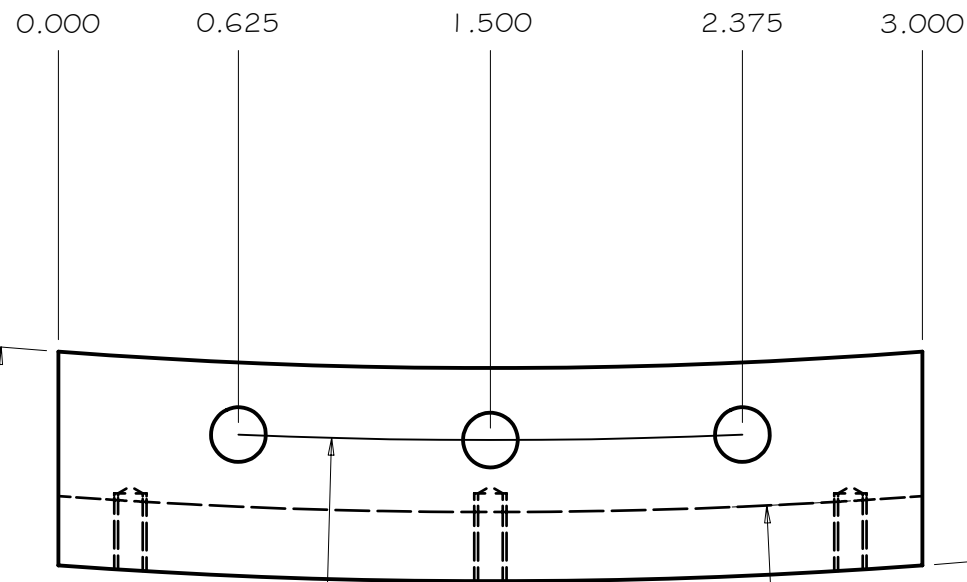
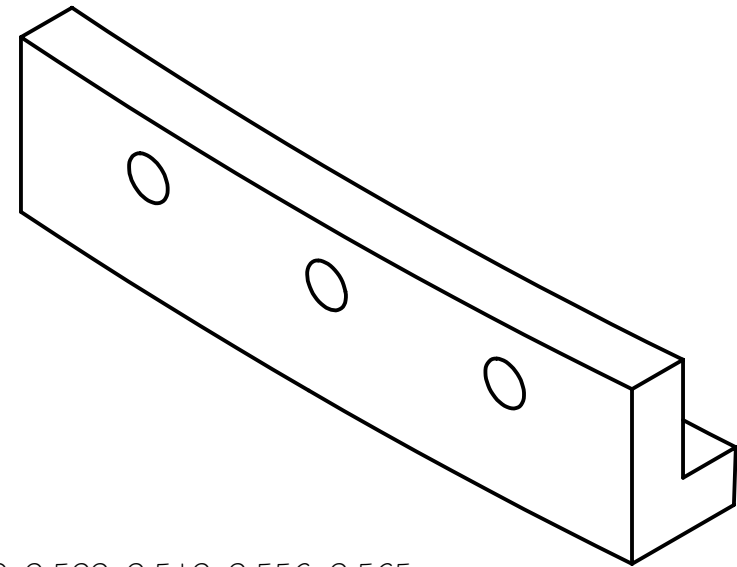


REV	DRWN	CHK'D	DATE	DESCRIPTION



3X 4-40 UNC - 2B



SCALE 1.50 : 1

TOLERANCES UNLESS OTHERWISE NOTED:
 FRACTIONAL: 0"-6": ±1/64" 6"-24": ±1/32"
 24"+: ±1/16"
 DECIMAL: X.X: ±0.1000" X.XX: ±0.0100"
 X.XXX: ±0.0050" X.XXXX: ±0.0001"
 ANGLES: ±0.5° FINISH: 125 MICRO INCHES
 BREAK ALL SHARP EDGES & CORNERS 1/64" MAX

MATERIAL: ALUMINUM

FINISH:



DRAWN: vernon 2/1/2005
 CHECKED:
 DESIGNED: vernon
 ENGINEER: vernon

QTY: 1

PROJECT CODE: A8040
 DWG NO: A8042
 TITLE: Cassegrain ADC
 PRISM SUPPORT

REV: A