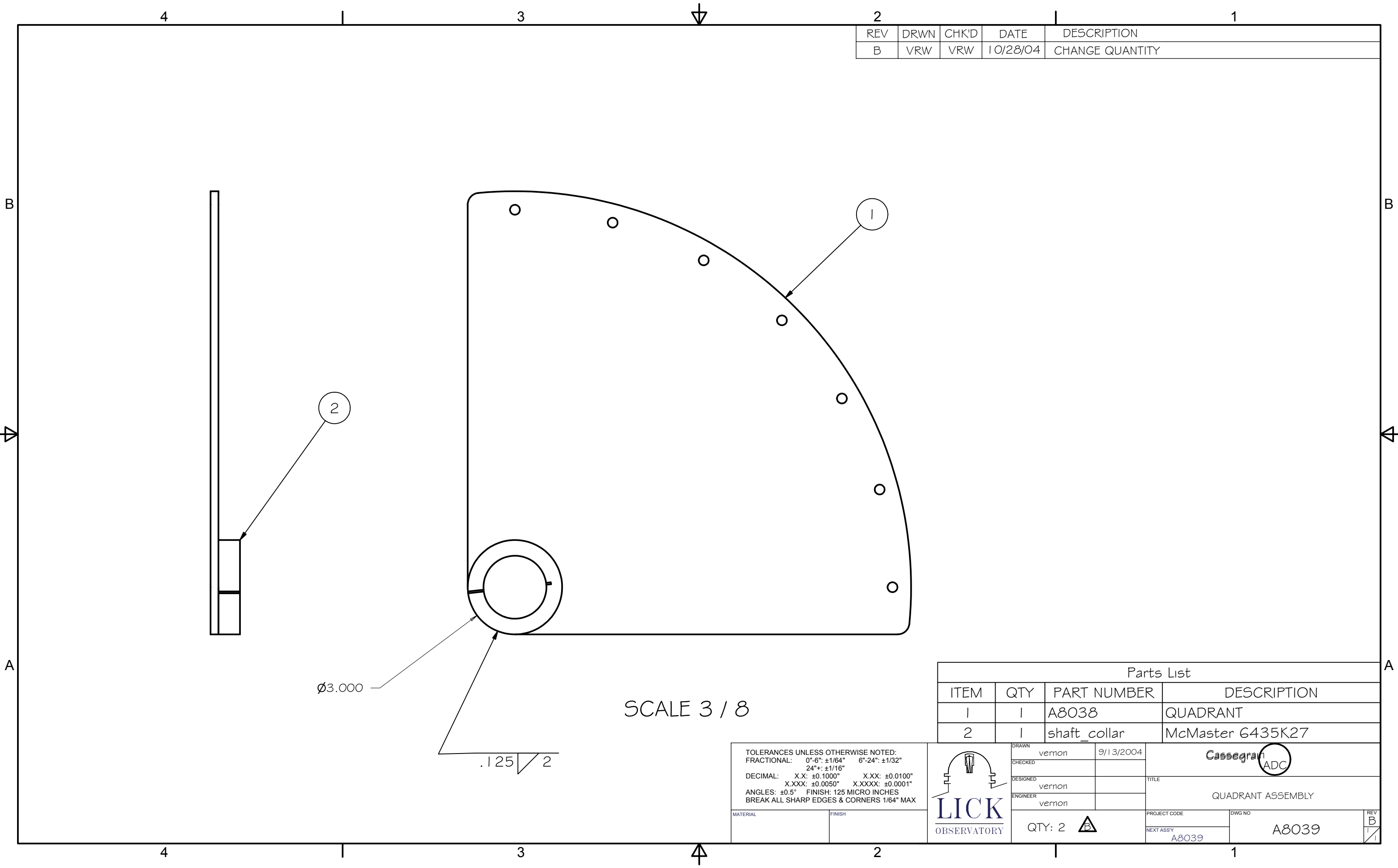


REV	DRWN	CHK'D	DATE	DESCRIPTION
B	VRW	VRW	10/28/04	CHANGE QUANTITY



SCALE 3 / 8

Ø3.000

.125 / 2

Parts List			
ITEM	QTY	PART NUMBER	DESCRIPTION
1	1	A8038	QUADRANT
2	1	shaft_collar	McMaster 6435K27

TOLERANCES UNLESS OTHERWISE NOTED:
 FRACTIONAL: 0"-6": ±1/64" 6"-24": ±1/32"
 24"+: ±1/16"
 DECIMAL: X.X: ±0.1000" X.XX: ±0.0100"
 X.XXX: ±0.0050" X.XXXX: ±0.0001"
 ANGLES: ±0.5° FINISH: 125 MICRO INCHES
 BREAK ALL SHARP EDGES & CORNERS 1/64" MAX



DRAWN	vernon	9/13/2004
CHECKED		
DESIGNED	vernon	
ENGINEER	vernon	

PROJECT CODE		DWG NO	REV
NEXT ASSY		A8039	B
TITLE		QUADRANT ASSEMBLY	1/1

QTY: 2

Cassegrain ADC