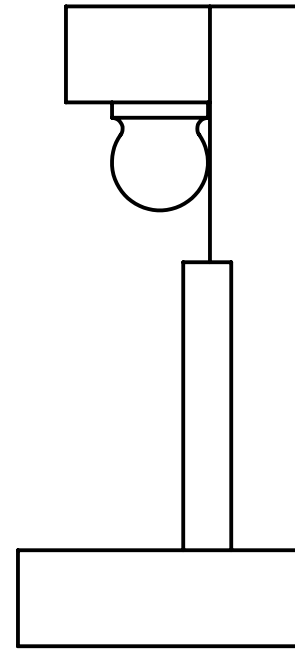
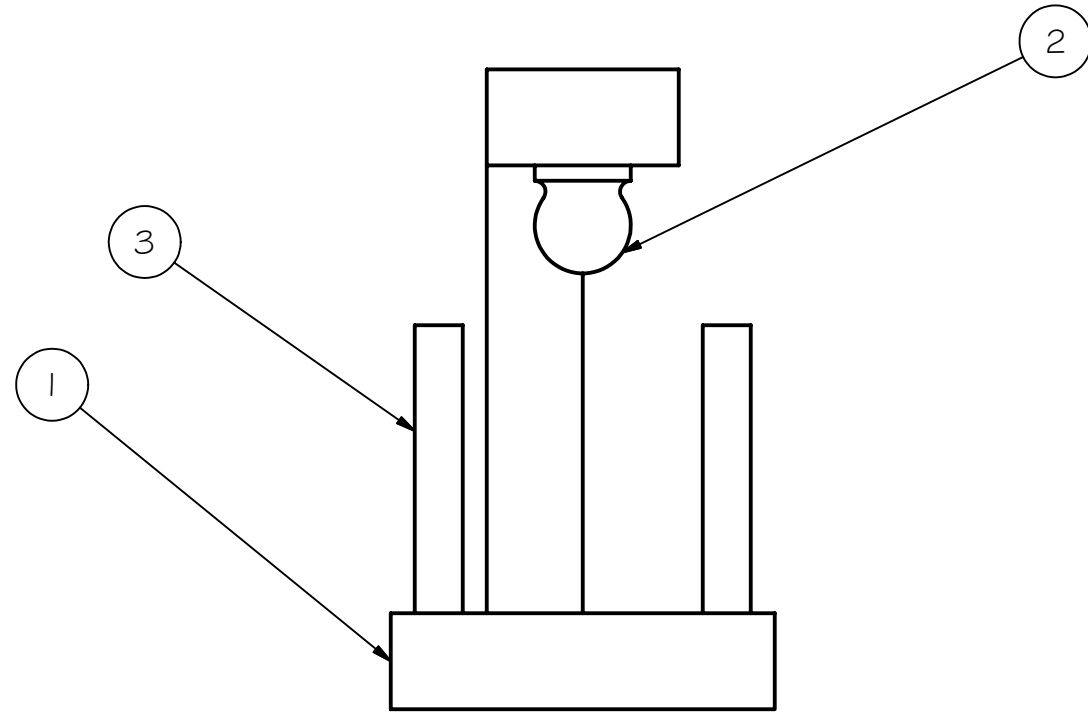
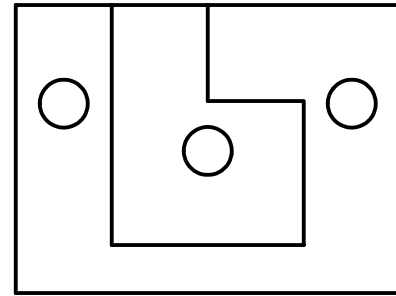
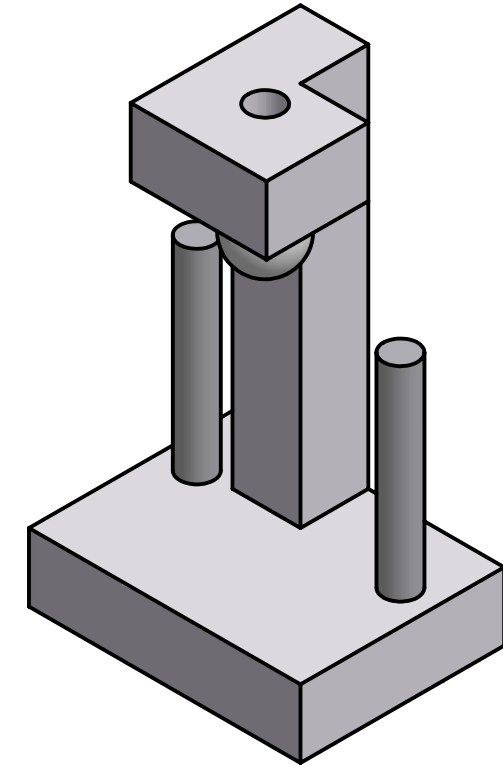


REV	DRWN	CHK'D	DATE	DESCRIPTION
-----	------	-------	------	-------------



SCALE 1 : 1

Parts List			
ITEM	QTY	PART NUMBER	DESCRIPTION
1	1	A8005	GAUGE
2	1	A8006	1/2 TOOLING BALL
3	2	A8008	1/4 X 2 PIN

TOLERANCES UNLESS OTHERWISE NOTED:
 FRACTIONAL: 0"-6": ±1/64" 6"-24": ±1/32"
 24"+: ±1/16"
 DECIMAL: X.X: ±0.1000" X.XX: ±0.0100"
 X.XXX: ±0.0050" X.XXXX: ±0.0001"
 ANGLES: ±0.5° FINISH: 125 MICRO INCHES
 BREAK ALL SHARP EDGES & CORNERS 1/64" MAX

MATERIAL	FINISH
----------	--------



DRAWN	vernon	2/10/2005
CHECKED		
DESIGNED	vernon	
ENGINEER	vernon	

QTY: 1

Cassegrain ADC	
TITLE GAUGE ASSEMBLY	
PROJECT CODE	DWG NO
N/A	A8007
REV	A