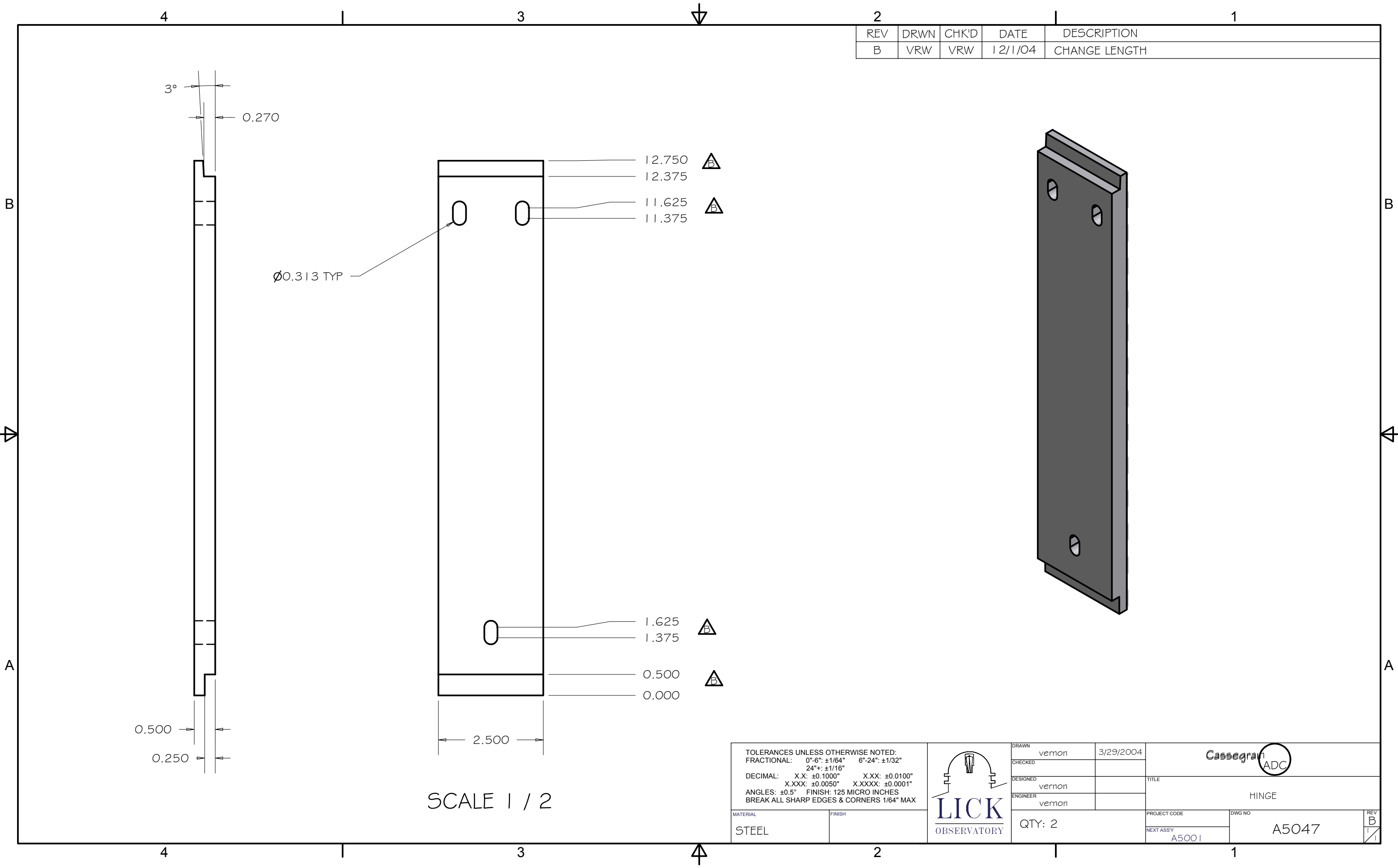


REV	DRWN	CHK'D	DATE	DESCRIPTION
B	VRW	VRW	12/1/04	CHANGE LENGTH



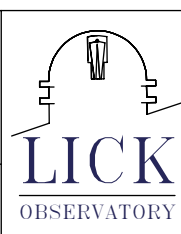
3°
0.270

∅0.313 TYP

12.750
12.375
11.625
11.375
1.625
1.375
0.500
0.000
2.500

SCALE 1 / 2

TOLERANCES UNLESS OTHERWISE NOTED:
 FRACTIONAL: 0"-6": ±1/64" 6"-24": ±1/32"
 24"+: ±1/16"
 DECIMAL: X.X: ±0.1000" X.XX: ±0.0100"
 X.XXX: ±0.0050" X.XXXX: ±0.0001"
 ANGLES: ±0.5° FINISH: 125 MICRO INCHES
 BREAK ALL SHARP EDGES & CORNERS 1/64" MAX



DRAWN: vernon 3/29/2004
 CHECKED:
 DESIGNED: vernon
 ENGINEER: vernon
 QTY: 2

Cassegrain ADC
 TITLE: HINGE
 PROJECT CODE: A5001
 DWG NO: A5047
 REV B

MATERIAL: STEEL

FINISH: 2

REV B