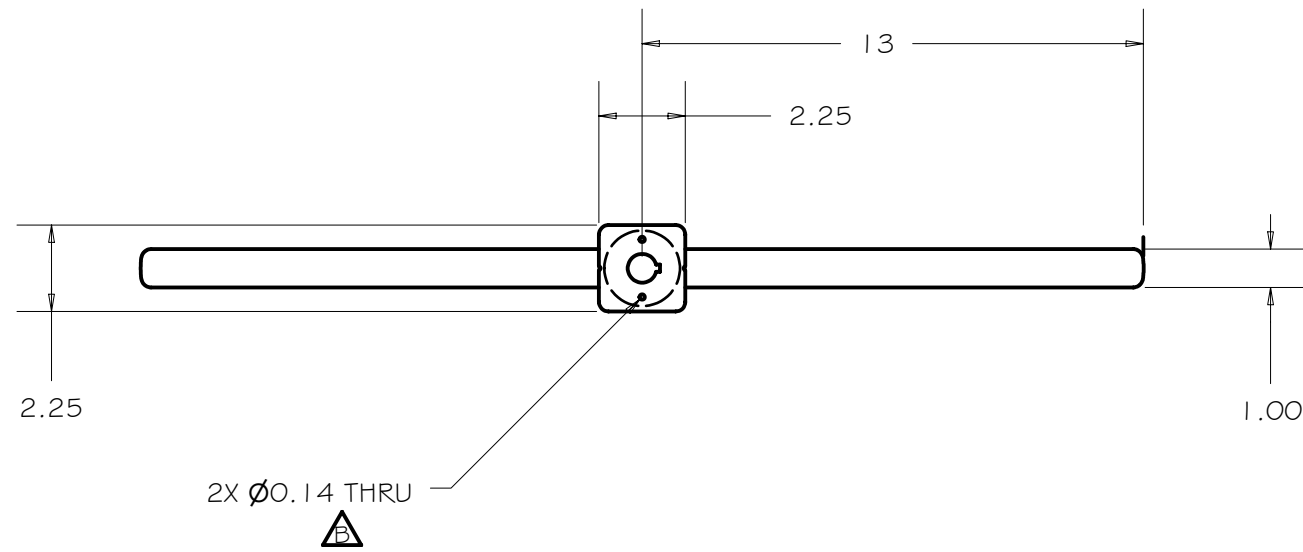
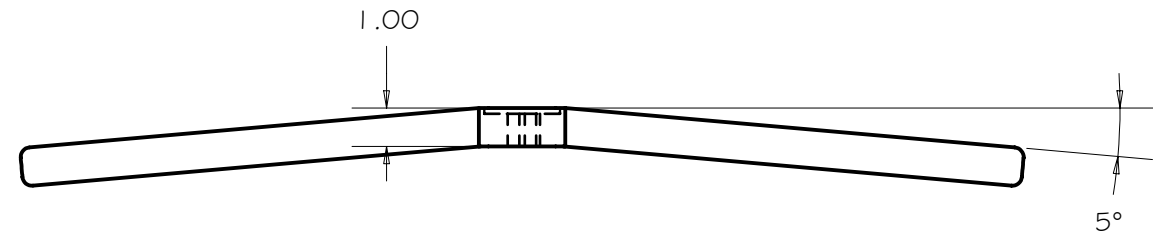
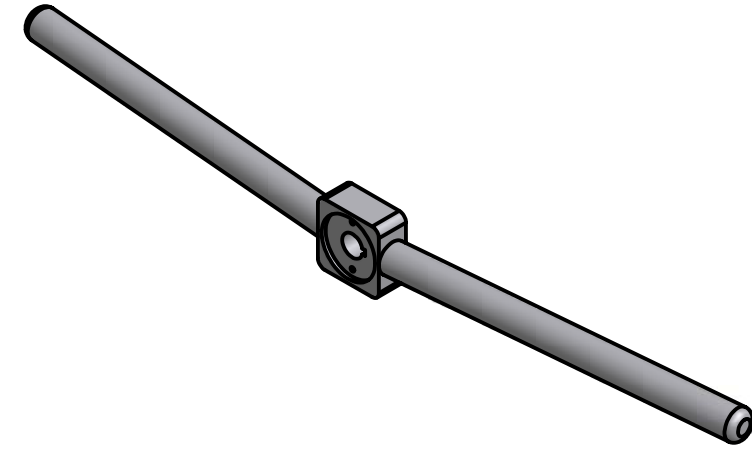
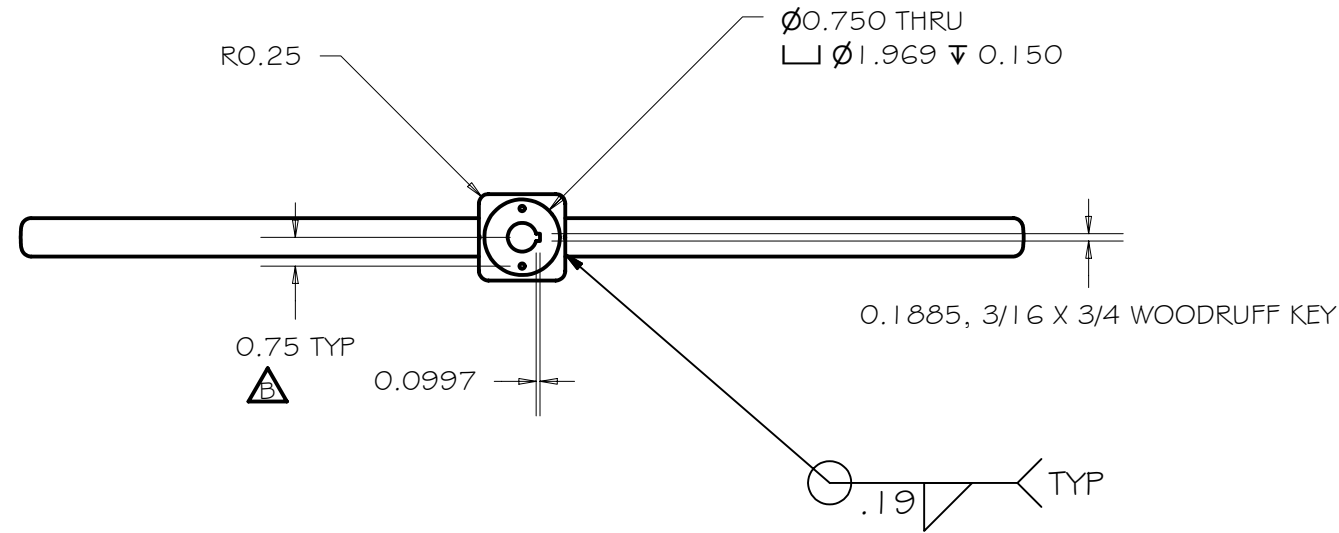
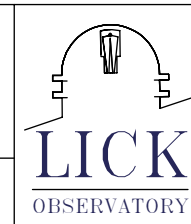


REV	DRWN	CHK'D	DATE	DESCRIPTION
B	VRW	VRW	9/14/04	ADD HOLES



TOLERANCES UNLESS OTHERWISE NOTED:
 FRACTIONAL: 0"-6": $\pm 1/64"$ 6"-24": $\pm 1/32"$
 24"+: $\pm 1/16"$
 DECIMAL: X.X: $\pm 0.1000"$ X.XX: $\pm 0.0100"$
 X.XXX: $\pm 0.0050"$ X.XXXX: $\pm 0.0001"$
 ANGLES: $\pm 0.5^\circ$ FINISH: 125 MICRO INCHES
 BREAK ALL SHARP EDGES & CORNERS 1/64" MAX

MATERIAL: STEEL
 FINISH:



DRAWN: vernon 3/29/2004
 CHECKED:
 DESIGNED: vernon
 ENGINEER: vernon

QTY: 1

PROJECT CODE: A5030
 DWG NO: A5032
 TITLE: ACME HANDLE
 PROJECT CODE: A5030

Cassegrain ADC

REV B