

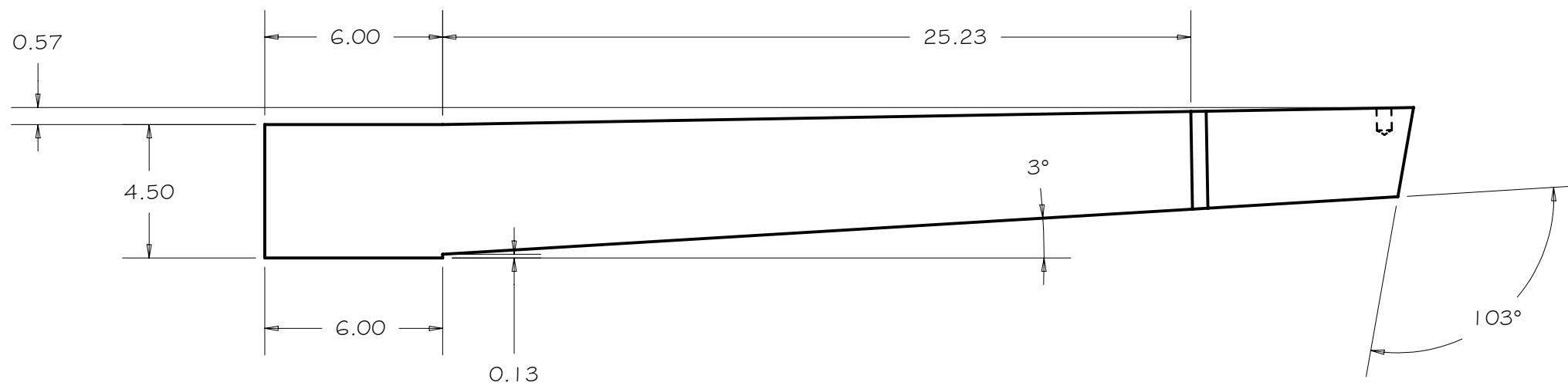
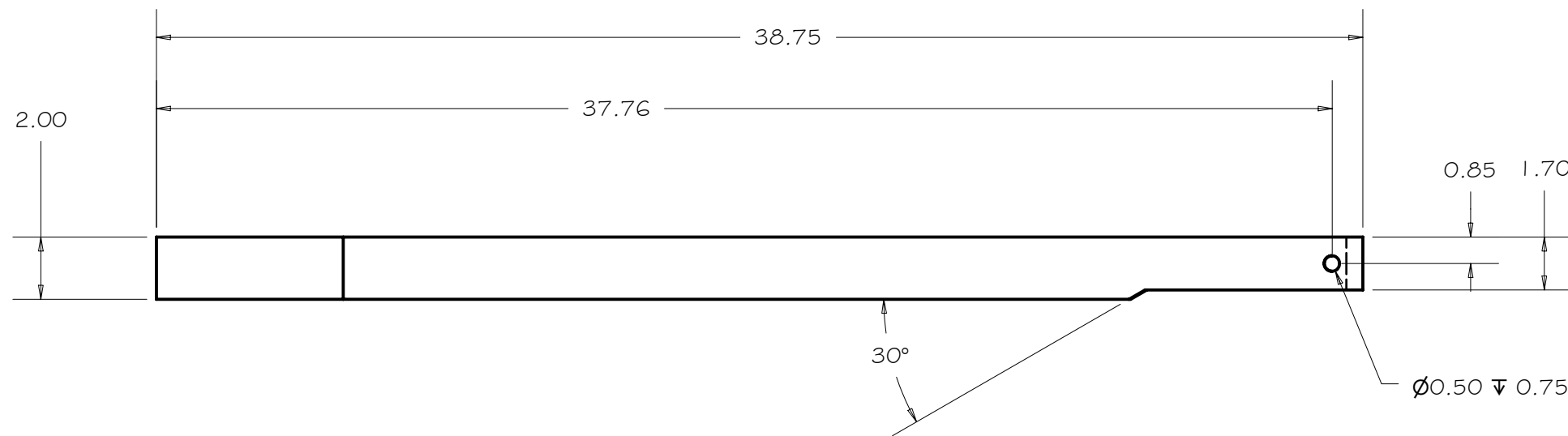
4

3

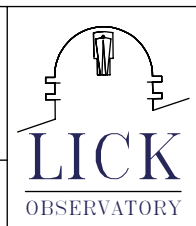
2

1

REV	DRWN	CHK'D	DATE	DESCRIPTION
B	VRW	VRW	5/19/04	STIFFEN ASSEMBLY



TOLERANCES UNLESS OTHERWISE NOTED:  
 FRACTIONAL: 0"-6":  $\pm 1/64"$  6"-24":  $\pm 1/32"$   
 24"+:  $\pm 1/16"$   
 DECIMAL: X.X:  $\pm 0.1000"$  X.XX:  $\pm 0.0100"$   
 X.XXX:  $\pm 0.0050"$  X.XXXX:  $\pm 0.0001"$   
 ANGLES:  $\pm 0.5^\circ$  FINISH: 125 MICRO INCHES  
 BREAK ALL SHARP EDGES & CORNERS 1/64" MAX



DRAWN	vernon	3/29/2004
CHECKED		
DESIGNED	vernon	
ENGINEER	vernon	

Cassegrain ADC	
TITLE FORK, RIGHT	

MATERIAL	FINISH
STEEL	

QTY: 1

PROJECT CODE	DWG NO	REV
A5020	A5023	B

4

3

2

1