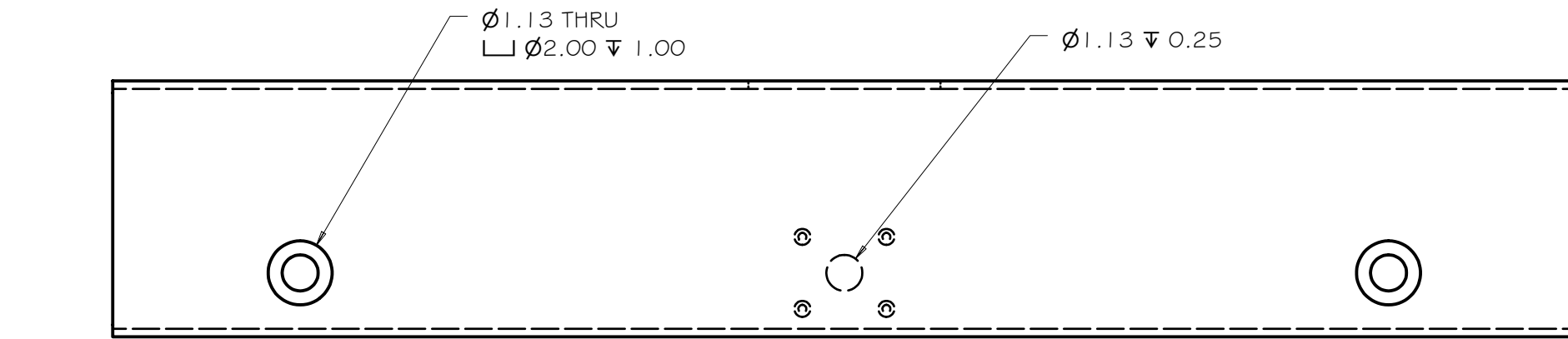
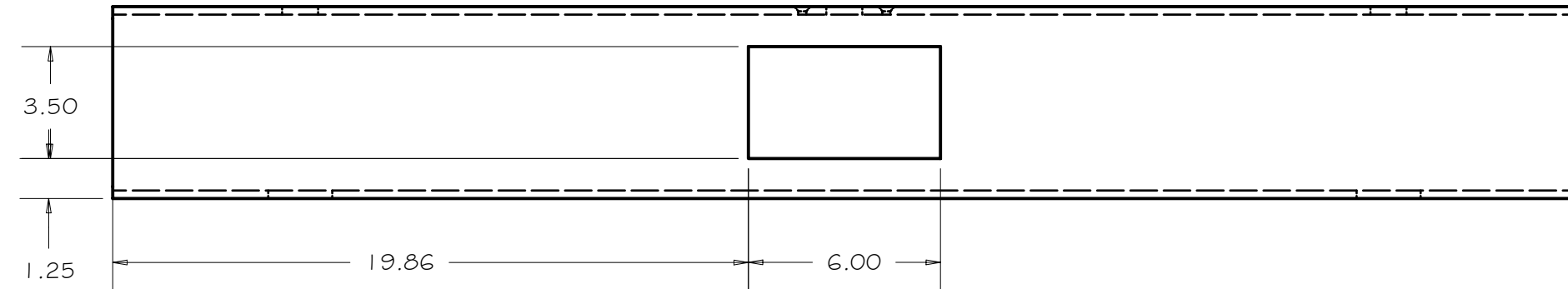
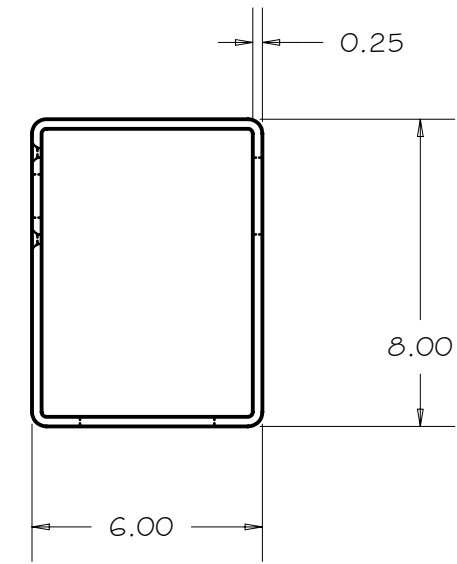
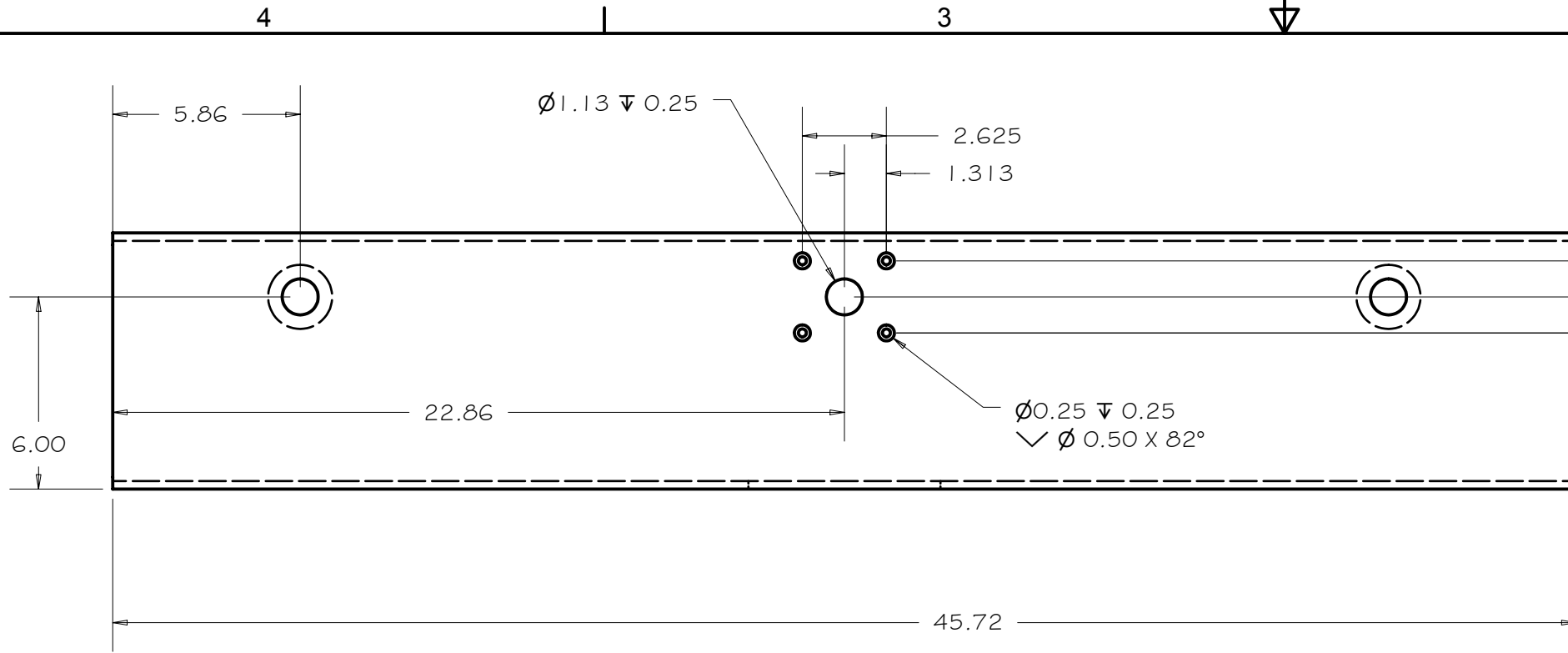


REV	DRWN	CHK'D	DATE	DESCRIPTION
B	VRW	VRW	5/19/04	STIFFEN ASSEMBLY



TOLERANCES UNLESS OTHERWISE NOTED:  
 FRACTIONAL: 0"-6":  $\pm 1/64"$  6"-24":  $\pm 1/32"$   
 24"+:  $\pm 1/16"$   
 DECIMAL: X.X:  $\pm 0.1000"$  X.XX:  $\pm 0.0100"$   
 X.XXX:  $\pm 0.0050"$  X.XXXX:  $\pm 0.0001"$   
 ANGLES:  $\pm 0.5^\circ$  FINISH: 125 MICRO INCHES  
 BREAK ALL SHARP EDGES & CORNERS 1/64" MAX

MATERIAL: STEEL TUBE  
 FINISH:



DRAWN: vernon  
 CHECKED:  
 DESIGNED: vernon  
 ENGINEER: vernon

QTY: 1

3/29/2004  
 Cassegrain ADC

TITLE: BEAM, CROSS

PROJECT CODE: A5020  
 DWG NO: A5021  
 REV: B

4

3

2

1

4

3

2

1

B

B

A

A

A

A