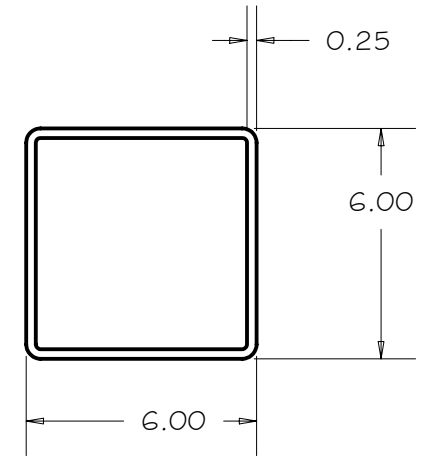
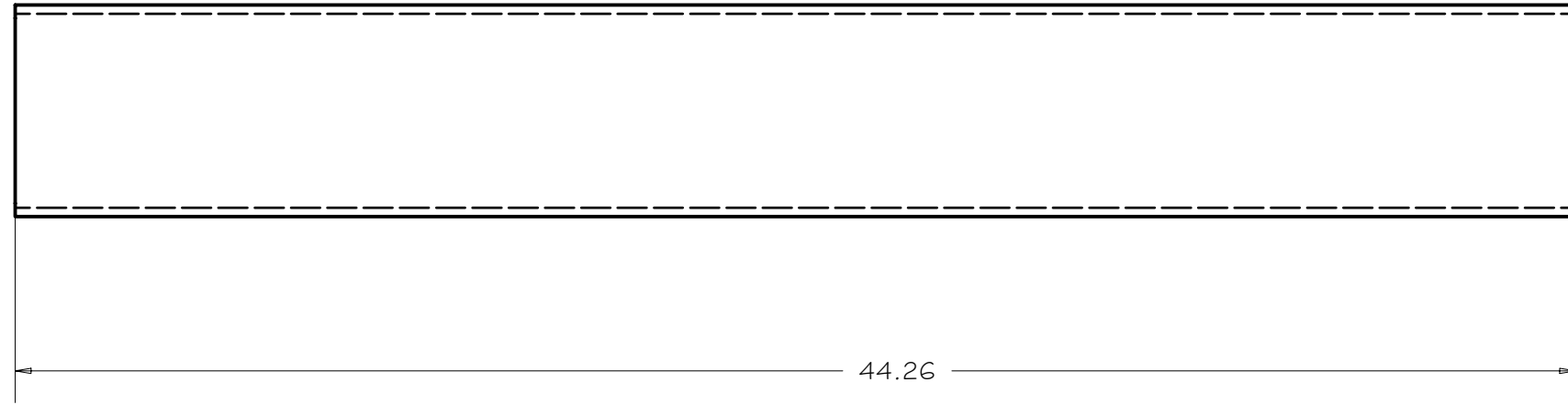
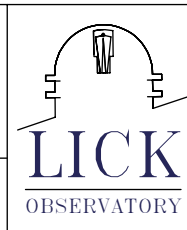


REV	DRWN	CHK'D	DATE	DESCRIPTION
B	VRW	VRW	5/17/04	STIFFEN



TOLERANCES UNLESS OTHERWISE NOTED: FRACTIONAL: 0"-6": ±1/64" 6"-24": ±1/32" 24"+: ±1/16"	
DECIMAL: X.X: ±0.1000" X.XX: ±0.0100" X.XXX: ±0.0050" X.XXXX: ±0.0001"	ANGLES: ±0.5° FINISH: 125 MICRO INCHES BREAK ALL SHARP EDGES & CORNERS 1/64" MAX
MATERIAL STEEL TUBE	FINISH



DRAWN vernon	3/29/2004
CHECKED	
DESIGNED vernon	
ENGINEER vernon	
QTY: 2	

Cassegrain ADC	
TITLE BEAM, UPRIGHT	
PROJECT CODE A5010	DWG NO A5012
REV B	1