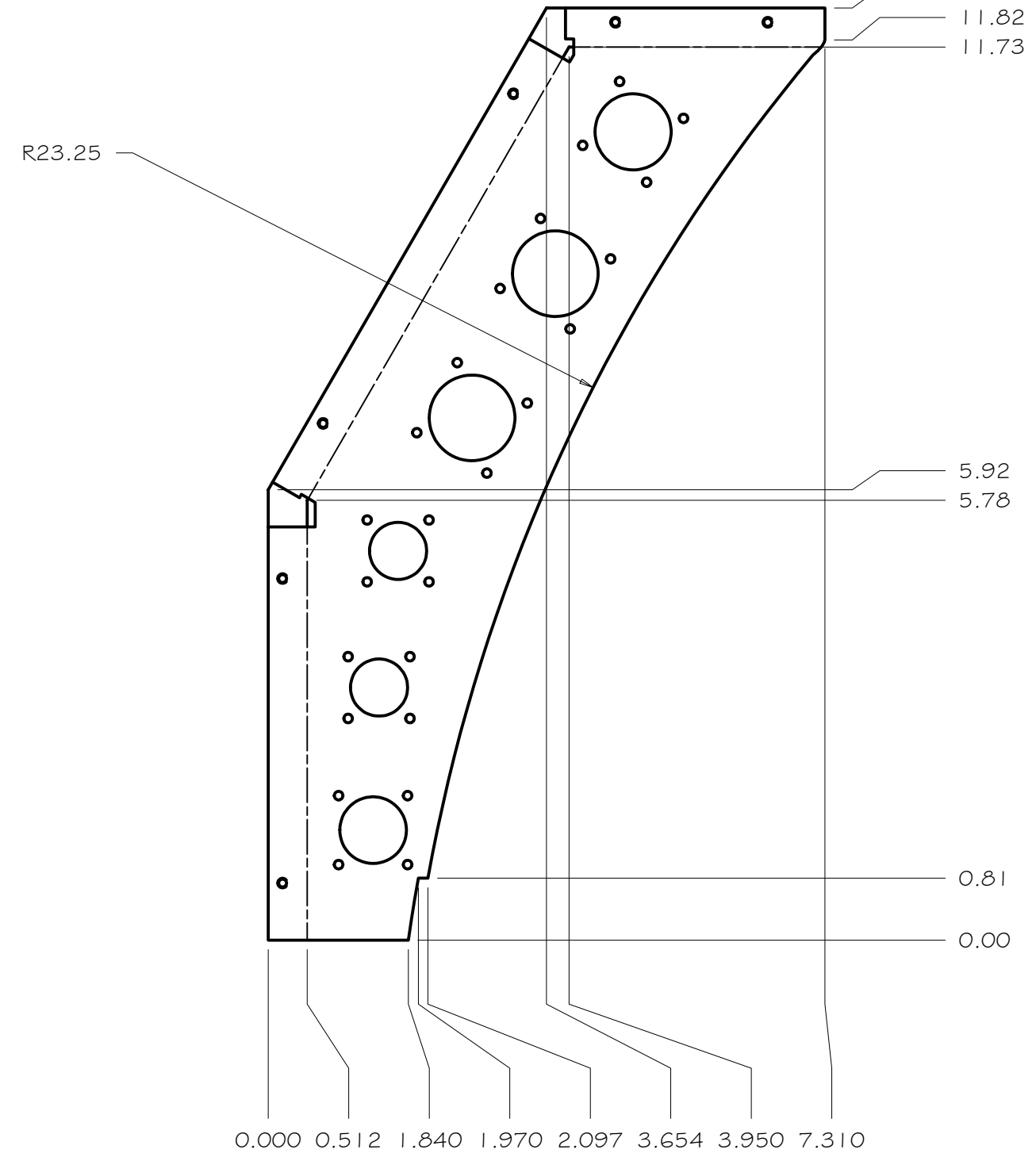
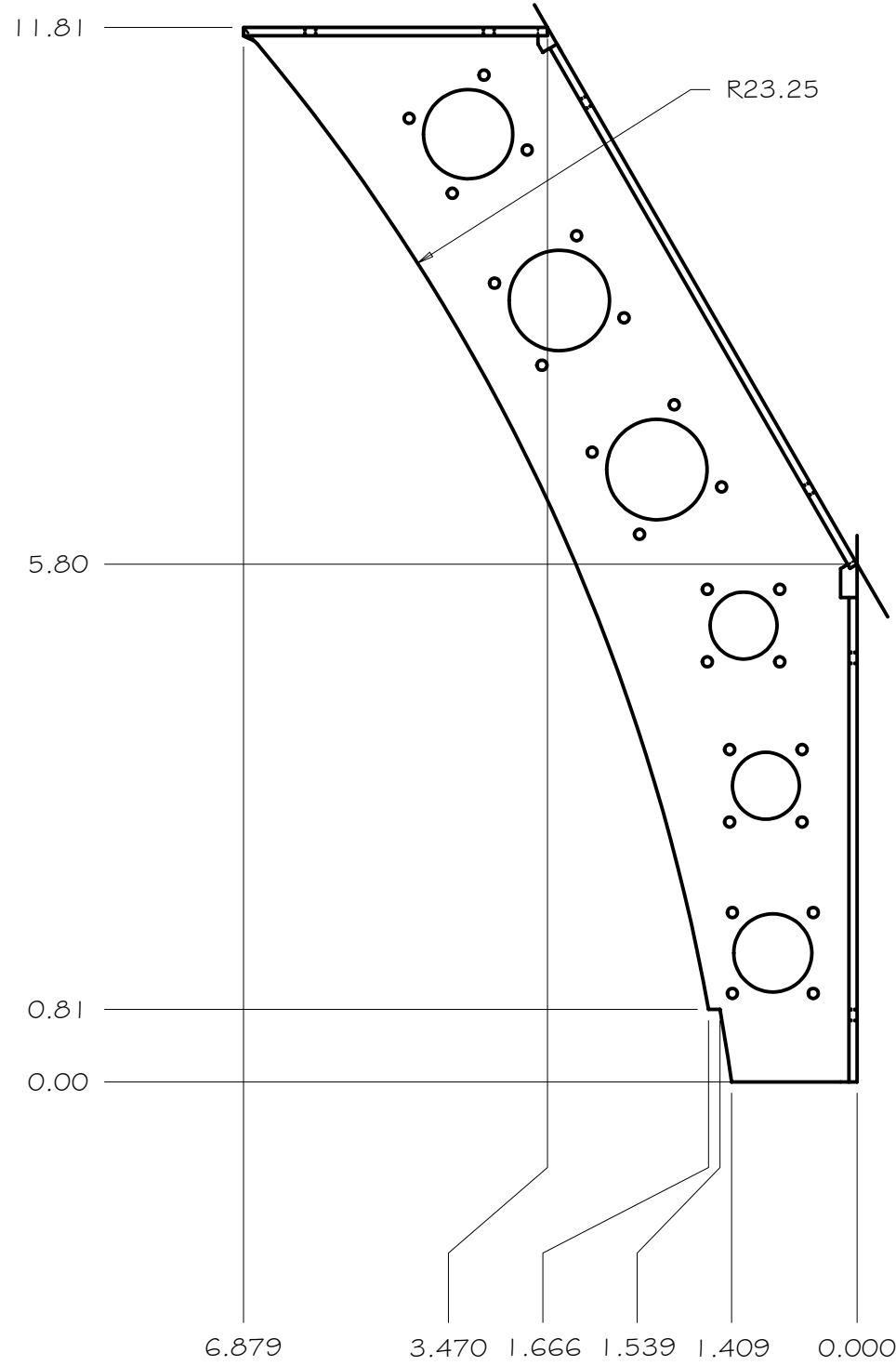


REV	DRWN	CHK'D	DATE	DESCRIPTION
-----	------	-------	------	-------------

FLAT PATTERN
SIDES EXTENDED OVER CORNER RELIEF

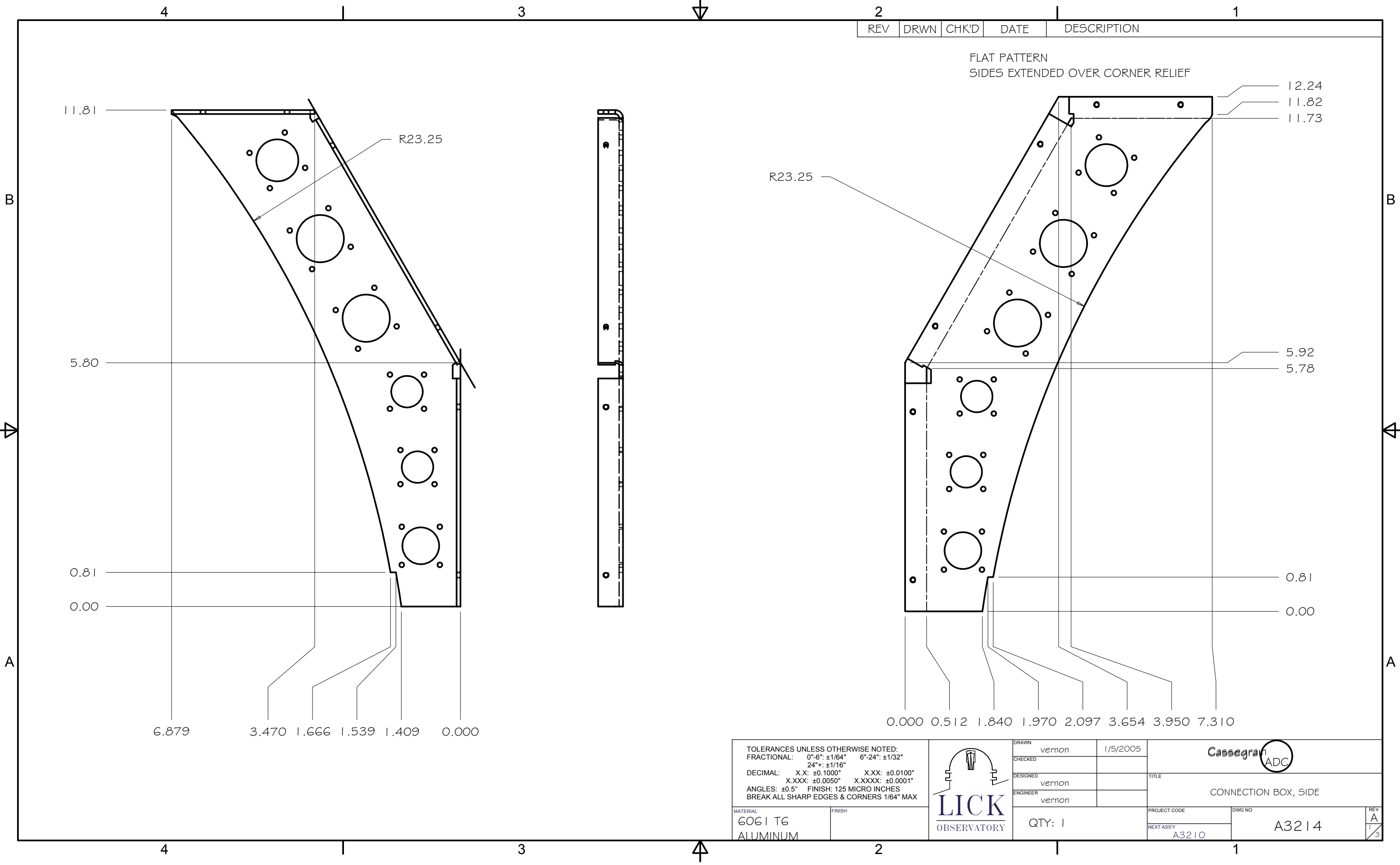


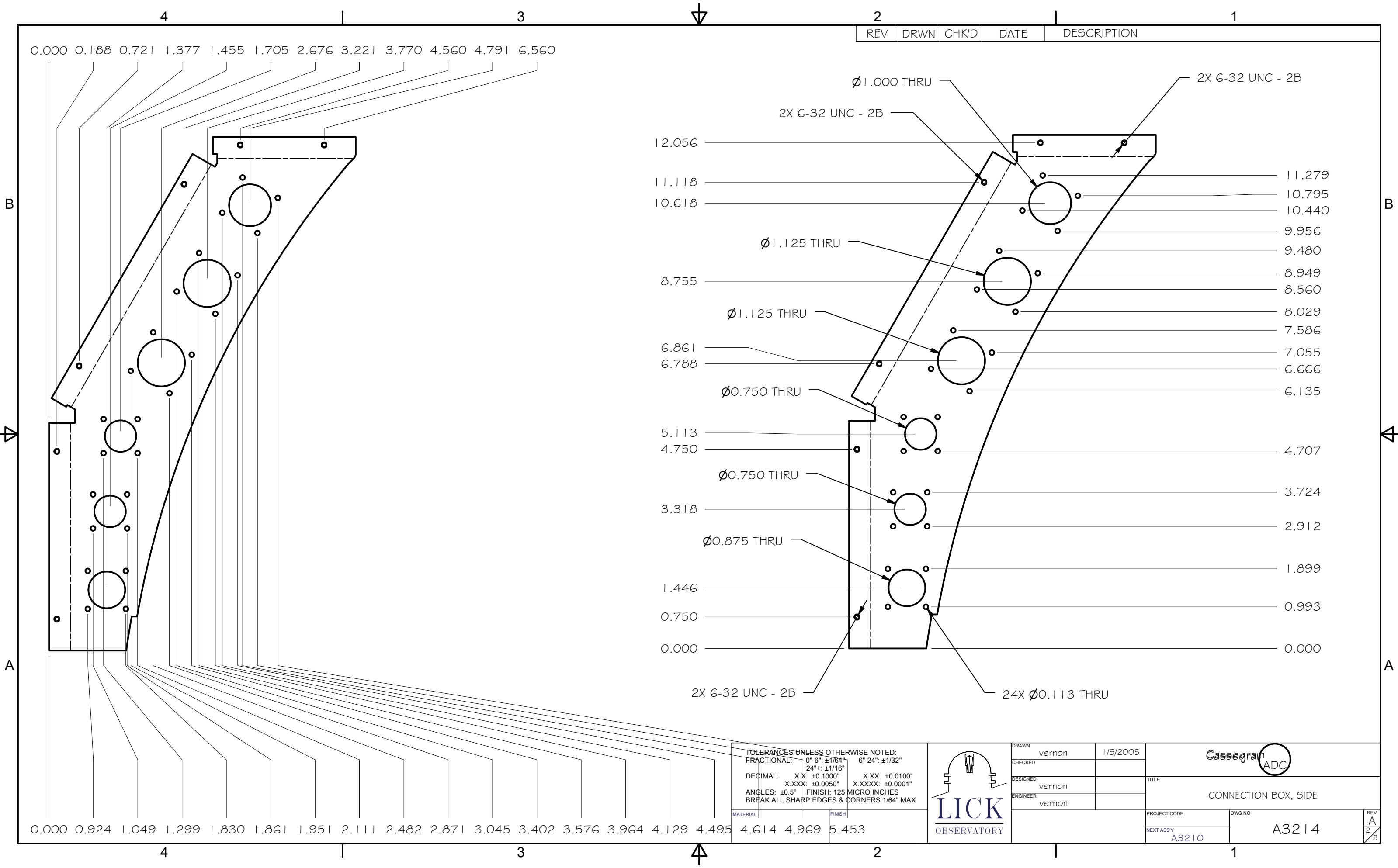
TOLERANCES UNLESS OTHERWISE NOTED:
 FRACTIONAL: 0"-6": ±1/64" 6"-24": ±1/32"
 24"+: ±1/16"
 DECIMAL: X.X: ±0.1000" X.XX: ±0.0100"
 X.XXX: ±0.0050" X.XXXX: ±0.0001"
 ANGLES: ±0.5° FINISH: 125 MICRO INCHES
 BREAK ALL SHARP EDGES & CORNERS 1/64" MAX



DRAWN: vernon 1/5/2005
 CHECKED:
 DESIGNED: vernon
 ENGINEER: vernon
 QTY: 1

Cassegrain ADC
 TITLE: CONNECTION BOX, SIDE
 PROJECT CODE: A3210
 DWG NO: A3214
 REV: A
 1/3





REV	DRWN	CHK'D	DATE	DESCRIPTION

0.000 0.188 0.721 1.377 1.455 1.705 2.676 3.221 3.770 4.560 4.791 6.560

Ø1.000 THRU
 2X 6-32 UNC - 2B
 2X 6-32 UNC - 2B
 2X 6-32 UNC - 2B
 Ø1.125 THRU
 Ø1.125 THRU
 Ø0.750 THRU
 Ø0.750 THRU
 Ø0.875 THRU
 24X Ø0.113 THRU
 2X 6-32 UNC - 2B

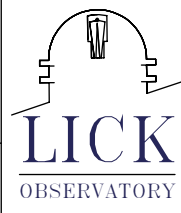
12.056
 11.118
 10.618
 8.755
 6.861
 6.788
 5.113
 4.750
 3.318
 1.446
 0.750
 0.000

11.279
 10.795
 10.440
 9.956
 9.480
 8.949
 8.560
 8.029
 7.586
 7.055
 6.666
 6.135
 4.707
 3.724
 2.912
 1.899
 0.993
 0.000

0.000 0.924 1.049 1.299 1.830 1.861 1.951 2.111 2.482 2.871 3.045 3.402 3.576 3.964 4.129 4.495 4.614 4.969 5.453

TOLERANCES UNLESS OTHERWISE NOTED:
 FRACTIONAL: 0"-6": ±1/64"
 6"-24": ±1/32"
 24"+: ±1/16"
 DECIMAL: X.X: ±0.1000"
 X.XXX: ±0.0050"
 X.XXXX: ±0.0001"
 ANGLES: ±0.5° FINISH: 125 MICRO INCHES
 BREAK ALL SHARP EDGES & CORNERS 1/64" MAX

MATERIAL	FINISH
4.614	5.453
4.969	



DRAWN	vernon	1/5/2005
CHECKED		
DESIGNED	vernon	
ENGINEER	vernon	

Cassegrain ADC	
TITLE CONNECTION BOX, SIDE	
PROJECT CODE A3210	DWG NO A3214
REV A	2/3

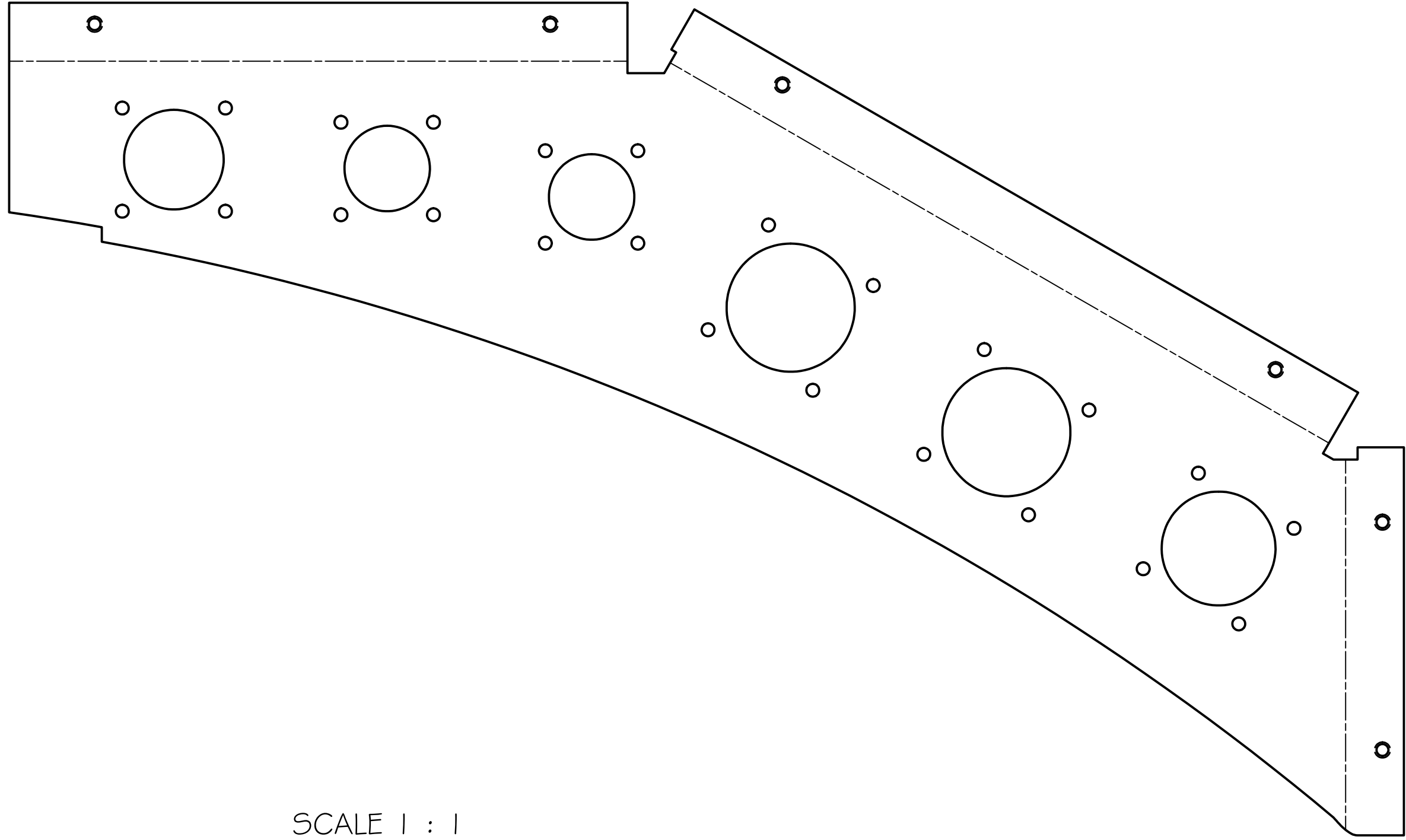
4

3

2

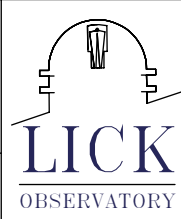
1

REV	DRWN	CHK'D	DATE	DESCRIPTION



SCALE 1 : 1

TOLERANCES UNLESS OTHERWISE NOTED:
 FRACTIONAL: 0"-6": ±1/64" 6"-24": ±1/32"
 24"+: ±1/16"
 DECIMAL: X.X: ±0.1000" X.XX: ±0.0100"
 X.XXX: ±0.0050" X.XXXX: ±0.0001"
 ANGLES: ±0.5° FINISH: 125 MICRO INCHES
 BREAK ALL SHARP EDGES & CORNERS 1/64" MAX



DRAWN	vernon	1/5/2005
CHECKED		
DESIGNED	vernon	
ENGINEER	vernon	

Cassegrain ADC

TITLE
 CONNECTION BOX, SIDE

MATERIAL	FINISH

PROJECT CODE	DWG NO	REV
	A3214	A
NEXT ASSY		3/3
A3210		

4

3

2

1

B

B

A

A