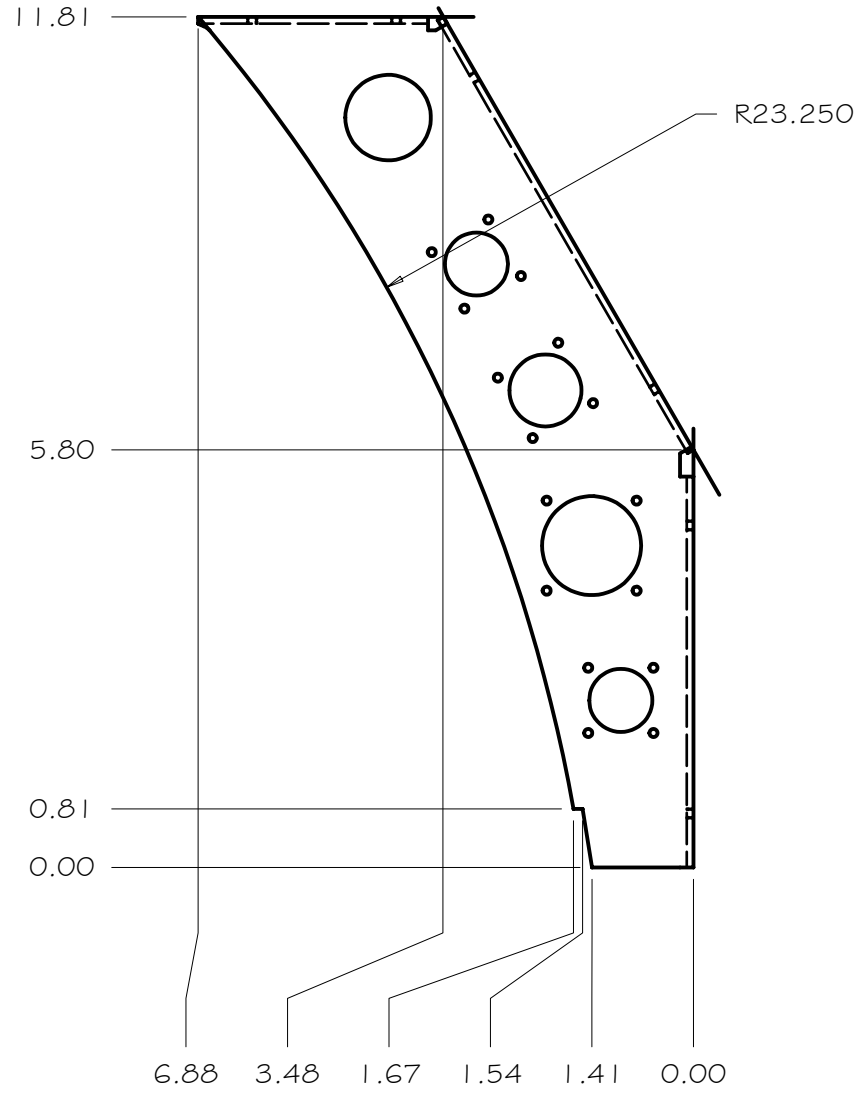
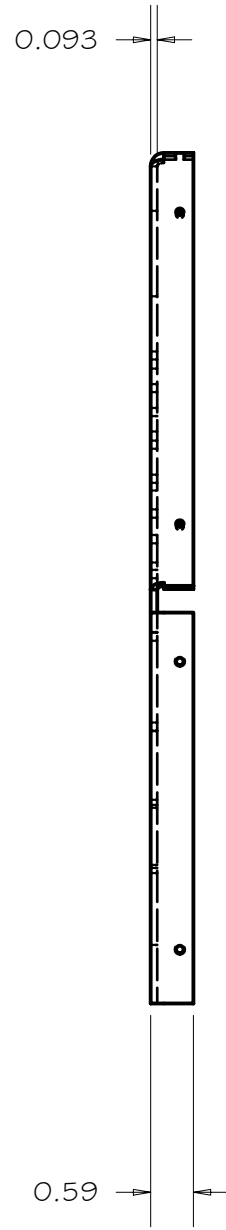


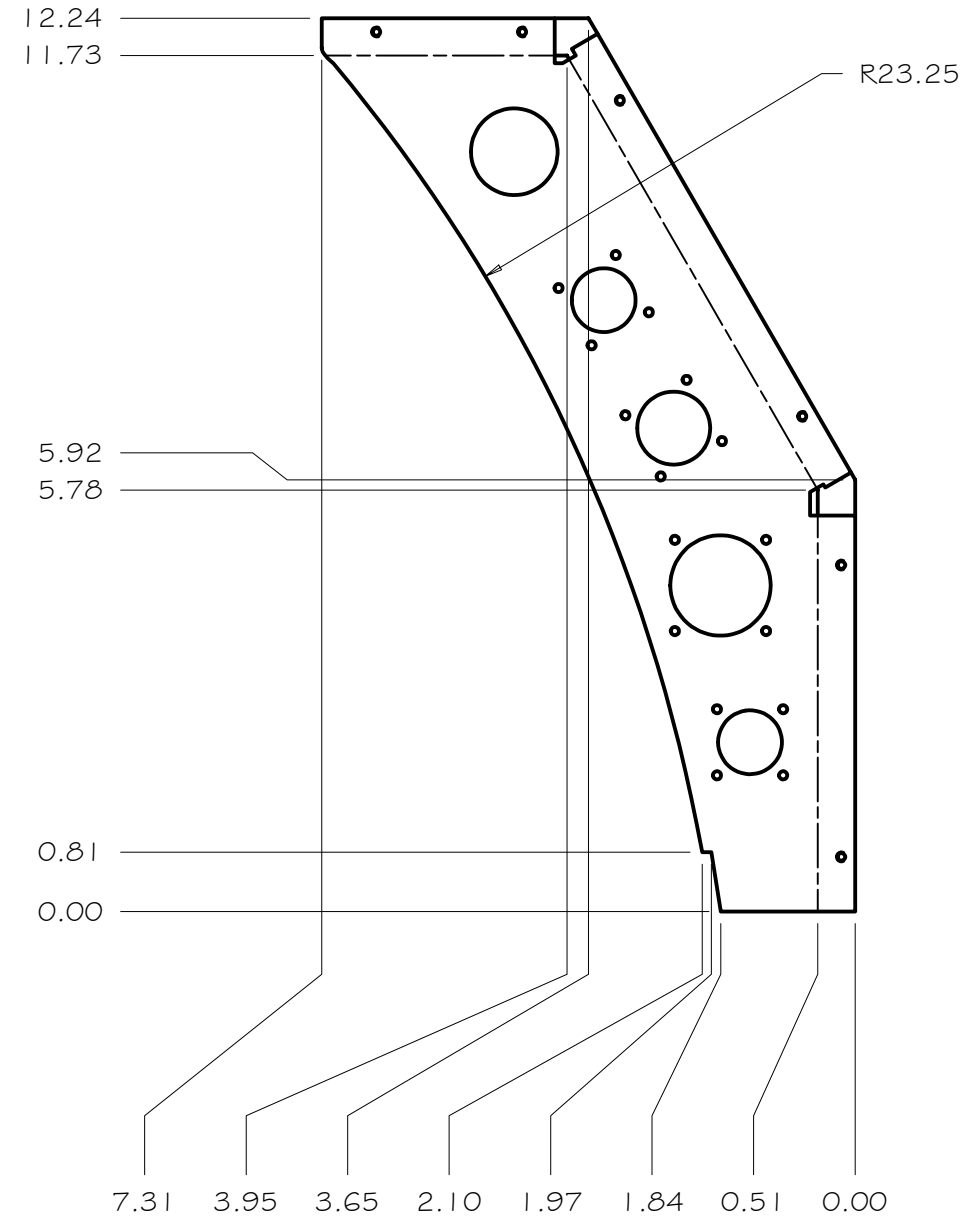
REV	DRWN	CHK'D	DATE	DESCRIPTION



SCALE 3 / 8



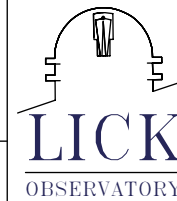
FLAT PATTERN
SIDES EXTENDED OVER CORNER RELIEF



TOLERANCES UNLESS OTHERWISE NOTED:
 FRACTIONAL: 0"-6": ±1/64" 6"-24": ±1/32"
 24"+: ±1/16"
 DECIMAL: X.X: ±0.1000" X.XX: ±0.0100"
 X.XXX: ±0.0050" X.XXXX: ±0.0001"
 ANGLES: ±0.5° FINISH: 125 MICRO INCHES
 BREAK ALL SHARP EDGES & CORNERS 1/64" MAX

MATERIAL
6061 T6
ALUMINUM

FINISH



DRAWN: vernon
 CHECKED:
 DESIGNED: vernon
 ENGINEER: vernon

QTY: 1

1/4/2005
 Cassegrain ADC
 TITLE: CONNECTION BOX, SIDE
 PROJECT CODE: A3210
 DWG NO: A3213
 REV: A
 1/3

REV	DRWN	CHK'D	DATE	DESCRIPTION

6.560 4.672 4.560 3.446 3.221 2.487 1.845 1.440 0.721 0.188 0.000

2X 6-32 UNC - 2B

16X Ø0.113 THRU

2X 6-32 UNC - 2B

2X 6-32 UNC - 2B

Ø1.188 THRU

Ø0.875 THRU

8.999

8.546

8.214

7.761

7.288

6.803

6.448

5.964

Ø1.000 THRU

5.095

Ø1.375 THRU

3.845

Ø0.875 THRU

1.868

0.000

12.056

11.118

10.414

8.380

6.788

6.626

4.750

4.470

2.321

0.750

0.000

SCALE 1 / 2

4.065 3.612 3.280 3.148 2.827 2.664 2.309 1.893 1.825 1.220 0.987 0.000

THREADED HOLES

TOLERANCES UNLESS OTHERWISE NOTED:
 FRACTIONAL: 0"-6": ±1/64" 6"-24": ±1/32"
 24"+: ±1/16"
 DECIMAL: X.X: ±0.1000" X.XX: ±0.0100"
 X.XXX: ±0.0050" X.XXXX: ±0.0001"
 ANGLES: ±0.5° FINISH: 125 MICRO INCHES
 BREAK ALL SHARP EDGES & CORNERS 1/64" MAX

MATERIAL FINISH



DRAWN vernon 1/4/2005
 CHECKED
 DESIGNED vernon
 ENGINEER vernon

Cassegrain ADC

CONNECTION BOX, SIDE

PROJECT CODE
 NEXT ASSY
 A3210

DWG NO
 A3213

REV
 A
 2
 3

4

3

2

1

REV	DRWN	CHK'D	DATE	DESCRIPTION

B

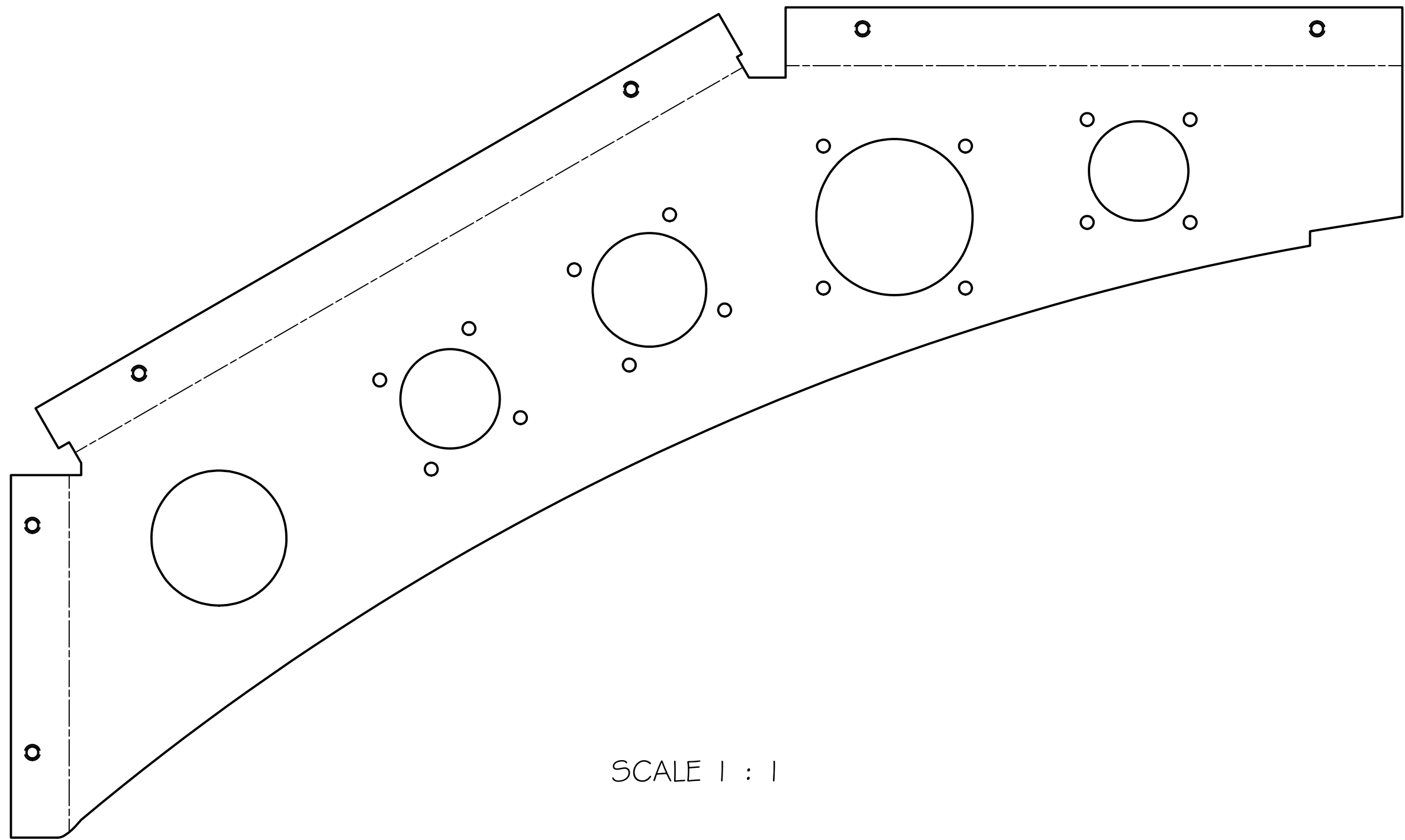
B

A

A

A

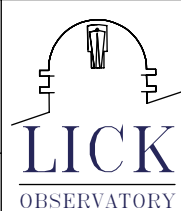
A



SCALE 1 : 1

TOLERANCES UNLESS OTHERWISE NOTED:
 FRACTIONAL: 0"-6": ±1/64" 6"-24": ±1/32"
 24"+: ±1/16"
 DECIMAL: X.X: ±0.1000" X.XX: ±0.0100"
 X.XXX: ±0.0050" X.XXXX: ±0.0001"
 ANGLES: ±0.5° FINISH: 125 MICRO INCHES
 BREAK ALL SHARP EDGES & CORNERS 1/64" MAX

MATERIAL	FINISH



DRAWN	vernon	1/4/2005
CHECKED		
DESIGNED	vernon	
ENGINEER	vernon	

PROJECT CODE		DWG NO	REV
NEXT ASSY		A3213	A
A3210			3/3

Cassegrain ADC

CONNECTION BOX, SIDE