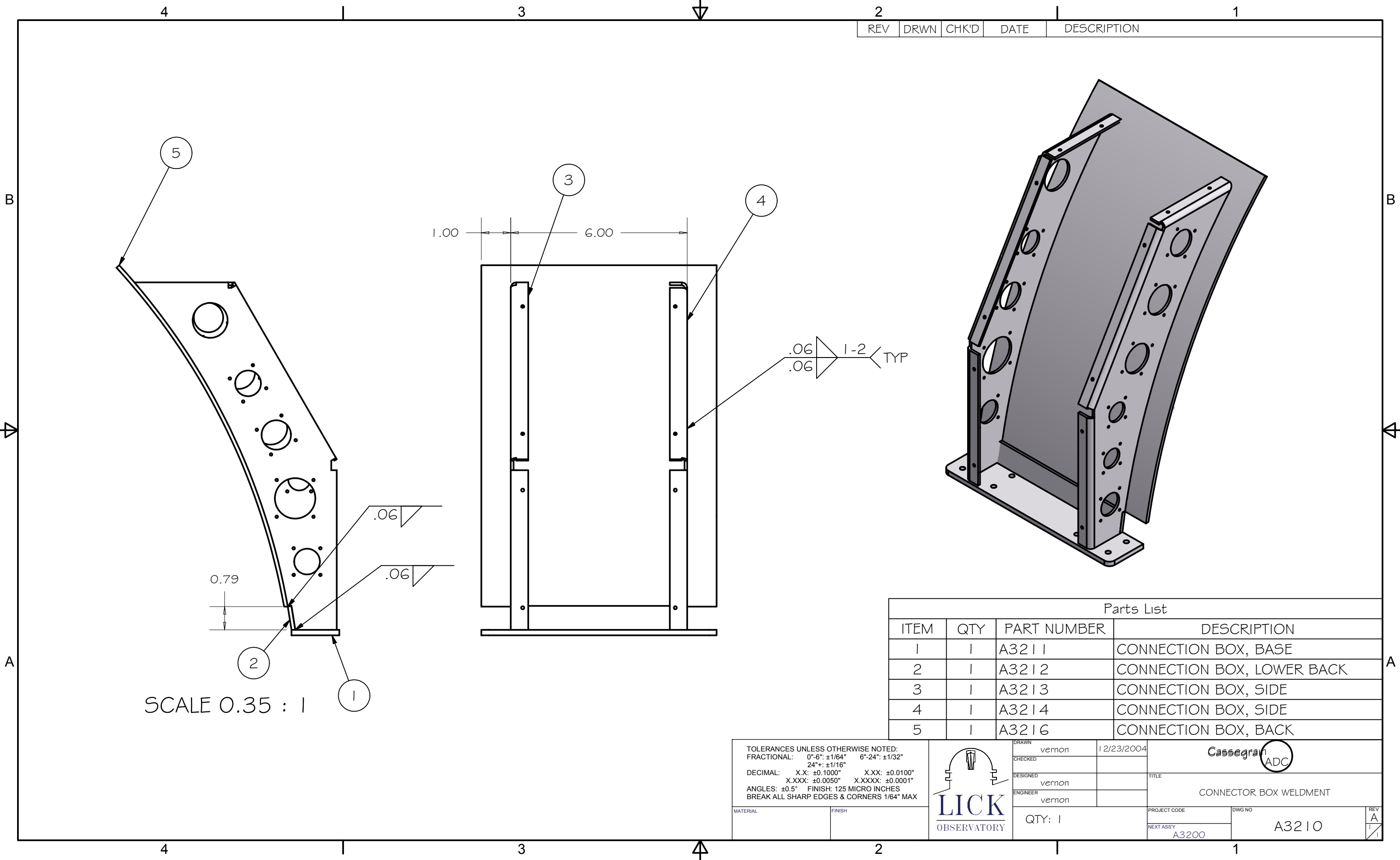


REV	DRWN	CHK'D	DATE	DESCRIPTION
-----	------	-------	------	-------------



SCALE 0.35 : 1

Parts List			
ITEM	QTY	PART NUMBER	DESCRIPTION
1	1	A3211	CONNECTION BOX, BASE
2	1	A3212	CONNECTION BOX, LOWER BACK
3	1	A3213	CONNECTION BOX, SIDE
4	1	A3214	CONNECTION BOX, SIDE
5	1	A3216	CONNECTION BOX, BACK

TOLERANCES UNLESS OTHERWISE NOTED:  
 FRACTIONAL: 0"-6": ±1/64" 6"-24": ±1/32"  
 24"+: ±1/16"  
 DECIMAL: X.X: ±0.1000" X.XX: ±0.0100"  
 X.XXX: ±0.0050" X.XXXX: ±0.0001"  
 ANGLES: ±0.5° FINISH: 125 MICRO INCHES  
 BREAK ALL SHARP EDGES & CORNERS 1/64" MAX



DRAWN: vernon  
 CHECKED: 12/23/2004  
 DESIGNED: vernon  
 ENGINEER: vernon  
 QTY: 1

Cassegrain ADC  
 TITLE: CONNECTOR BOX WELDMENT  
 PROJECT CODE: A3200  
 DWG NO: A3210  
 REV: A