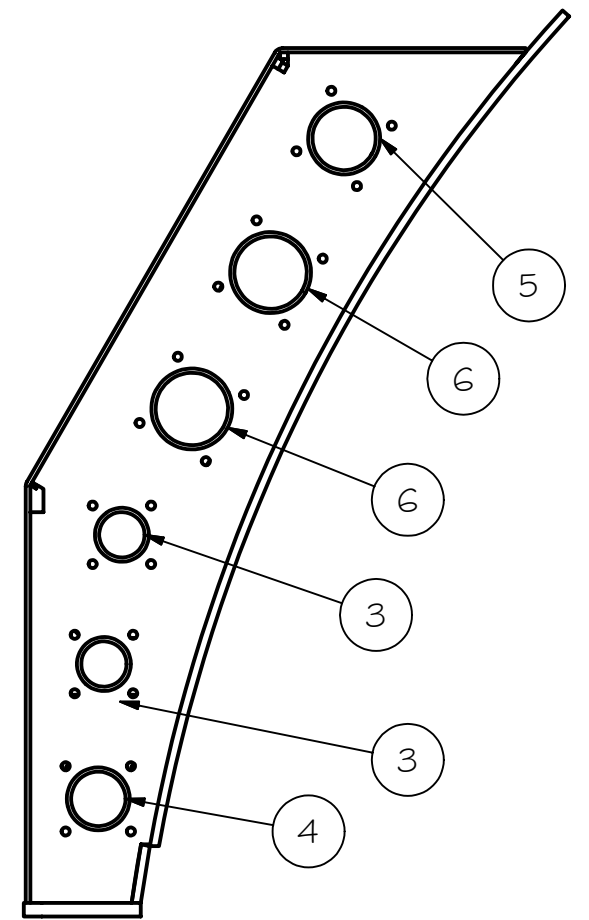
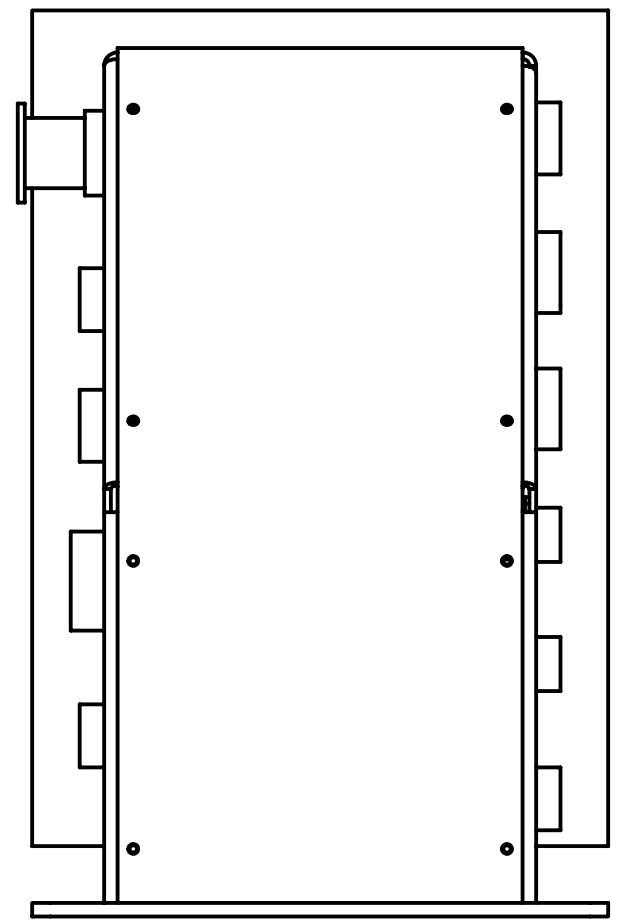
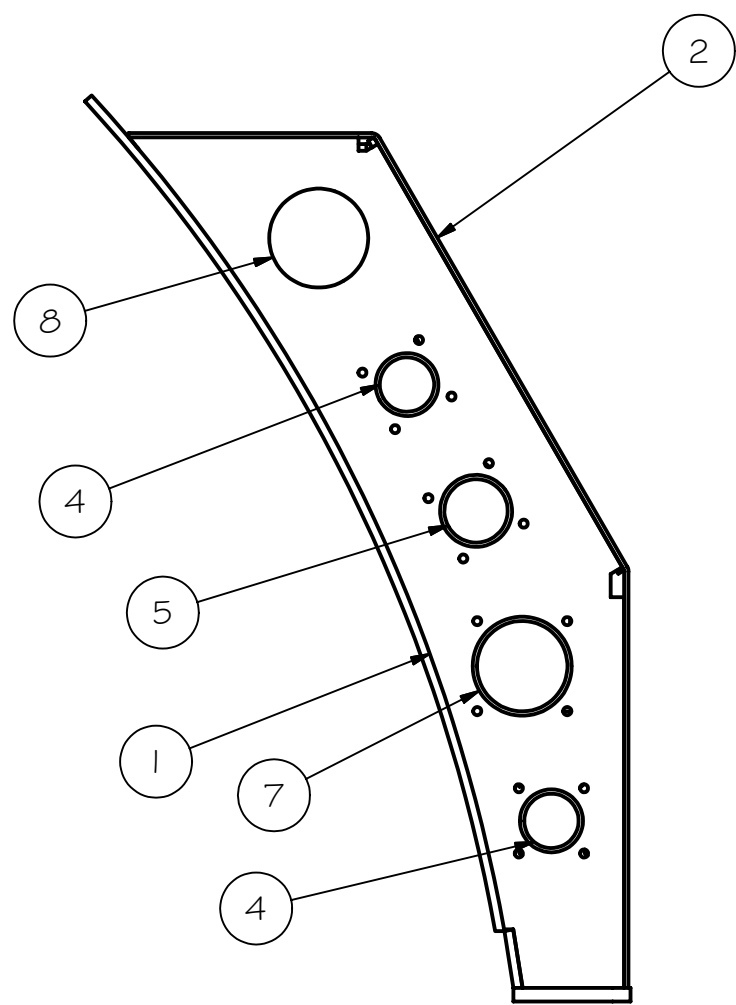


REV	DRWN	CHK'D	DATE	DESCRIPTION
B	VRW	VRW	1/3/05	DESIGN AS BOX WITH FINAL CONNECTOR SIZES



SCALE 3 / 8

Parts List			
ITEM	QTY	PART NUMBER	DESCRIPTION
1	1	A3210	CONNECTOR BOX WELDMENT
2	1	A3215	CONNECTION BOX, COVER
3	2	ms12_receptacle	
4	3	ms14_receptacle	
5	2	ms16_receptacle	
6	2	ms18_receptacle	
7	1	ms22_receptacle	
8	1	panic_button	

TOLERANCES UNLESS OTHERWISE NOTED:
 FRACTIONAL: 0"-6": ±1/64" 6"-24": ±1/32"
 24"+: ±1/16"
 DECIMAL: X.X: ±0.1000" X.XX: ±0.0100"
 X.XXX: ±0.0050" X.XXXX: ±0.0001"
 ANGLES: ±0.5° FINISH: 125 MICRO INCHES
 BREAK ALL SHARP EDGES & CORNERS 1/64" MAX



DRAWN: vernon 11/24/2004
 CHECKED: _____
 DESIGNED: vernon
 ENGINEER: vernon
 QTY: 1

Cassegrain ADC
 TITLE: INTERCONNECT PANEL ASSEMBLY
 PROJECT CODE: A0001
 DWG NO: A3200
 REV B 1/2

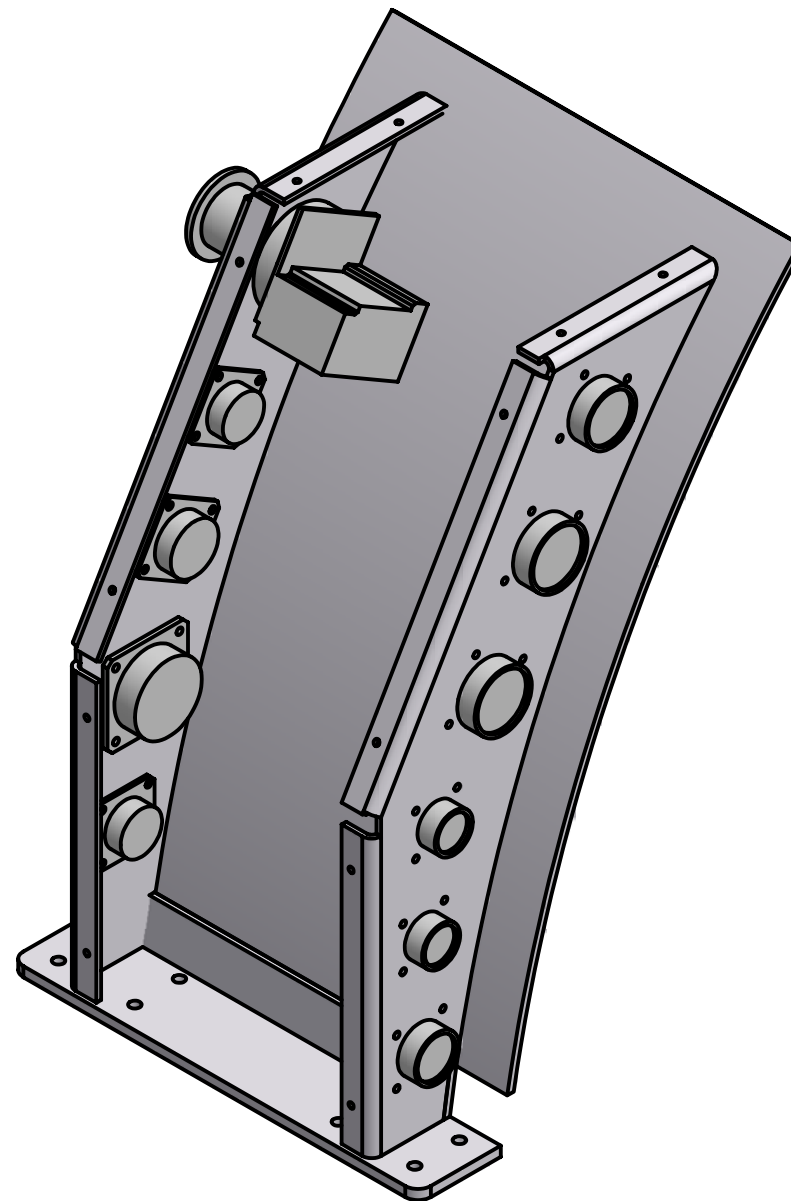
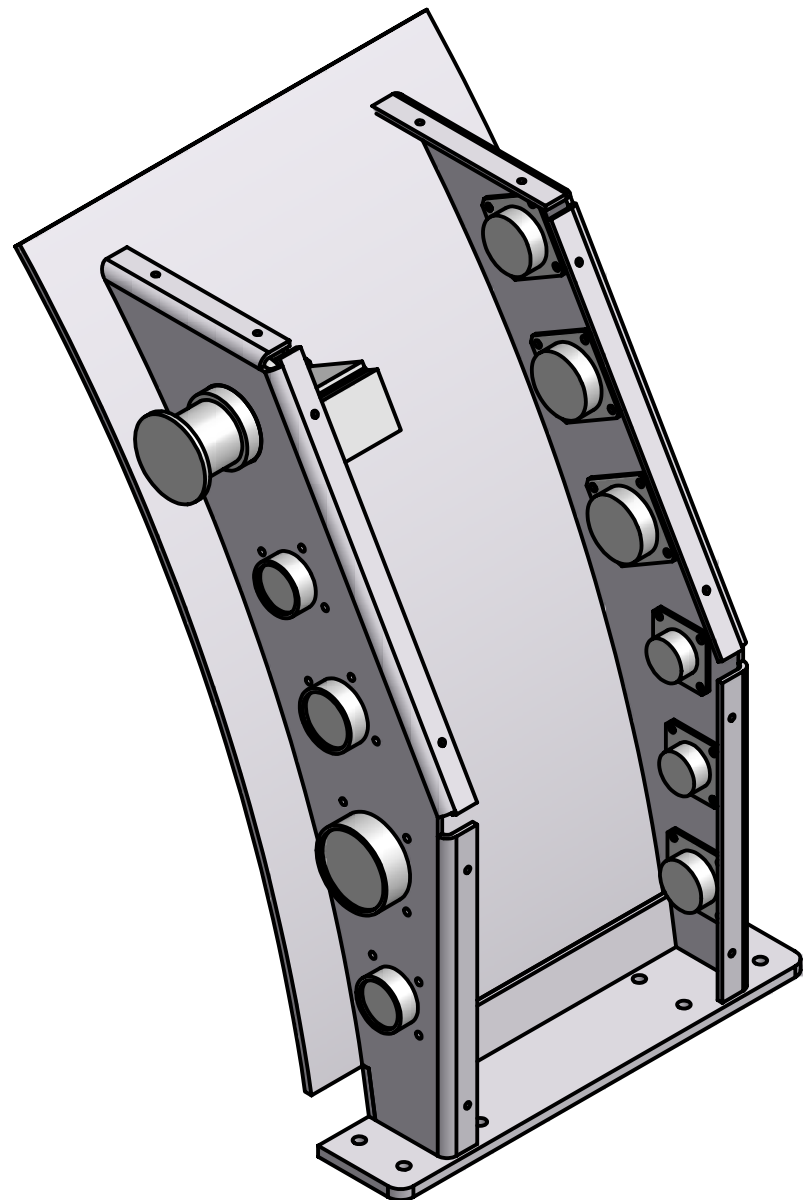
4

3

2

1

REV	DRWN	CHK'D	DATE	DESCRIPTION



SHOWN WITHOUT COVER

SCALE 3 / 8

TOLERANCES UNLESS OTHERWISE NOTED:
 FRACTIONAL: 0"-6": ±1/64" 6"-24": ±1/32"
 24"+: ±1/16"
 DECIMAL: X.X: ±0.1000" X.XX: ±0.0100"
 X.XXX: ±0.0050" X.XXXX: ±0.0001"
 ANGLES: ±0.5° FINISH: 125 MICRO INCHES
 BREAK ALL SHARP EDGES & CORNERS 1/64" MAX

MATERIAL	FINISH



DRAWN	vernon	11/24/2004
CHECKED		
DESIGNED	vernon	
ENGINEER	vernon	

Cassegrain ADC	
TITLE INTERCONNECT PANEL ASSEMBLY	
PROJECT CODE	DWG NO
NEXT ASSY A0001	A3200
REV B	2/2

4

3

2

1

B

B

A

A