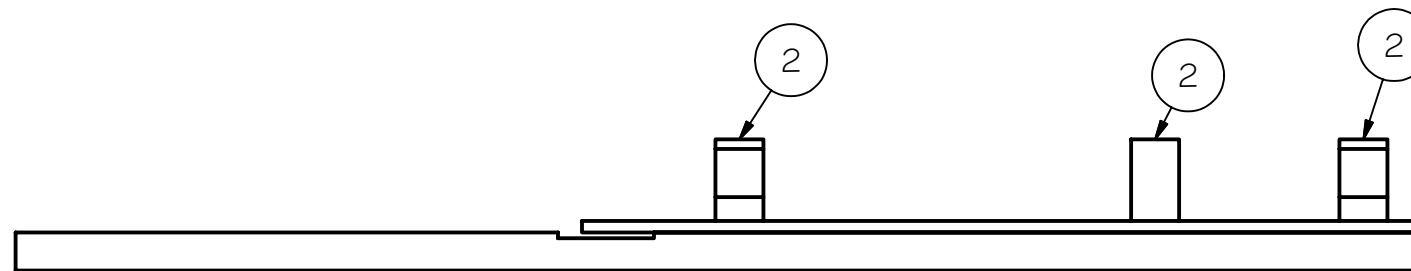
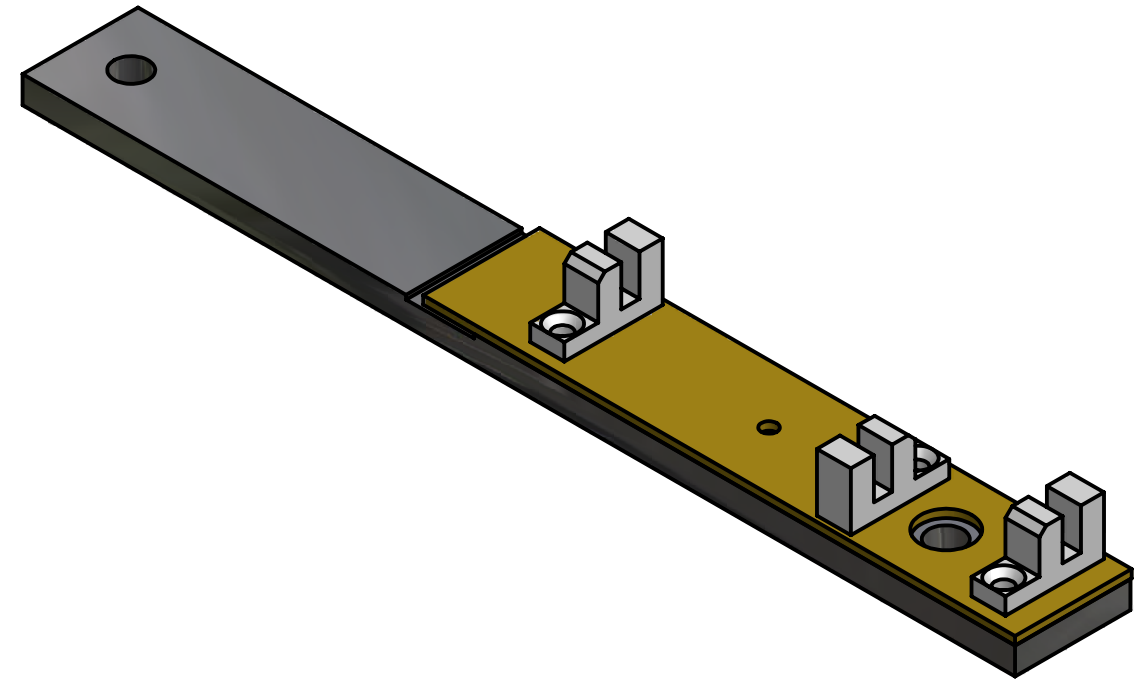
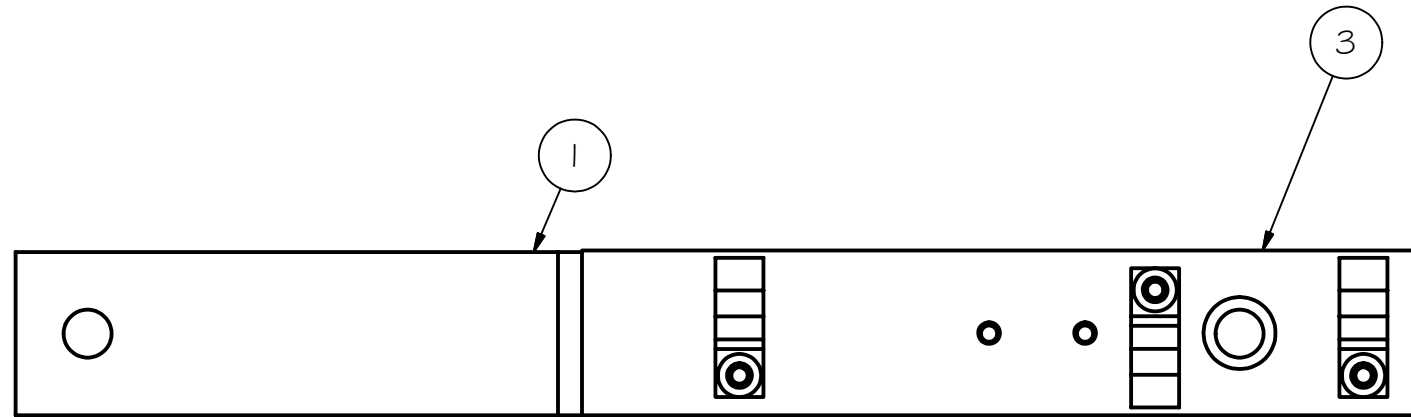


REV	DRWN	CHK'D	DATE	DESCRIPTION
B	VRW	VRW	3/8/05	REDESIGN



SCALE 1 : 1

Parts List			
ITEM	QTY	PART NUMBER	DESCRIPTION
1	1	A3014	FIDUCAL MOUNT, FWD DPL
2	3	A3010	CHERRY VN1015 MODIFIED
3	1	A3021	FIDUCAL PC BOARD

TOLERANCES UNLESS OTHERWISE NOTED:  
 FRACTIONAL: 0"-6": ±1/64" 6"-24": ±1/32"  
 24"+: ±1/16"  
 DECIMAL: X.X: ±0.1000" X.XX: ±0.0100"  
 X.XXX: ±0.0050" X.XXXX: ±0.0001"  
 ANGLES: ±0.5° FINISH: 125 MICRO INCHES  
 BREAK ALL SHARP EDGES & CORNERS 1/64" MAX



DRAWN: vernon 3/25/2004  
 CHECKED: \_\_\_\_\_  
 DESIGNED: vernon  
 ENGINEER: vernon

Cassegrain ADC  
 TITLE: FIDUCAL ASSEMBLY, FWD DPL

MATERIAL	FINISH	QTY: 1	PROJECT CODE: A0001	DWG NO: A3017	REV: B
----------	--------	--------	---------------------	---------------	--------