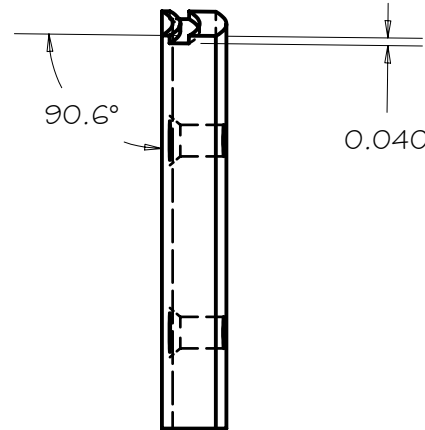
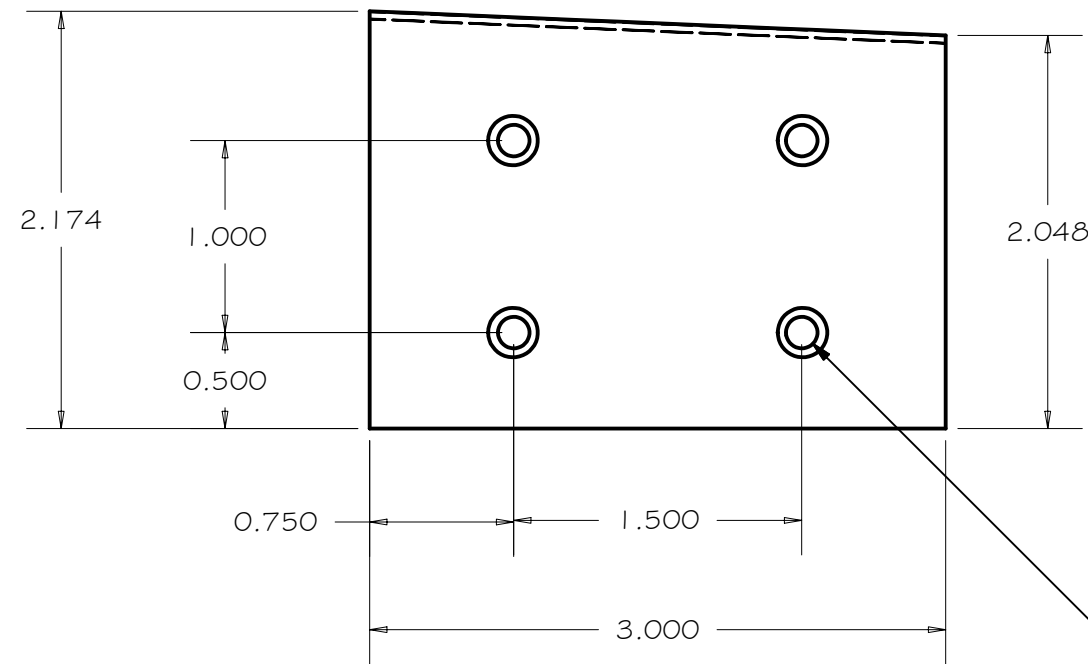
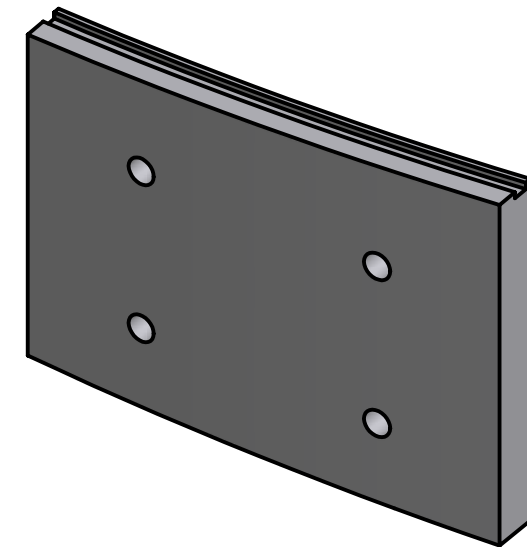
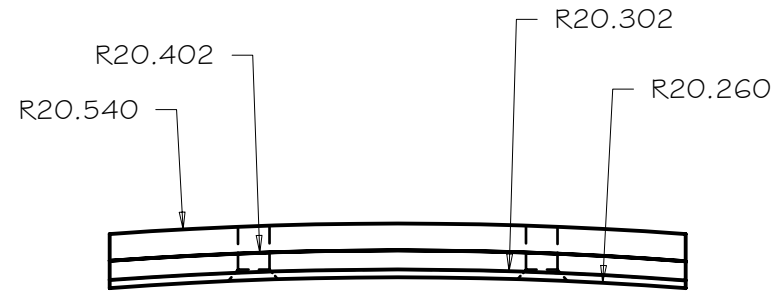


REV	DRWN	CHK'D	DATE	DESCRIPTION
B	VRW	VRW	12/16/04	ADD HOLES, REDRAW



$\varnothing 0.164$ THRU
 $\surd \varnothing 0.330 \times 82.0^\circ$



TOLERANCES UNLESS OTHERWISE NOTED:
 FRACTIONAL: 0"-6": $\pm 1/64$ " 6"-24": $\pm 1/32$ "
 24"+: $\pm 1/16$ "
 DECIMAL: X.X: ± 0.1000 " X.XX: ± 0.0100 "
 X.XXX: ± 0.0050 " X.XXXX: ± 0.0001 "
 ANGLES: $\pm 0.5^\circ$ FINISH: 125 MICRO INCHES
 BREAK ALL SHARP EDGES & CORNERS 1/64" MAX

MATERIAL: STEEL
 FINISH:



DRAWN: vernon 2/20/2004
 CHECKED:
 DESIGNED: vernon
 ENGINEER: vernon

QTY: 1

PROJECT CODE: N/A
 DWG NO: A2054
 TITLE: Cassegrain ADC
 AXIAL CLAMP, FWD

REV: B
 1/1