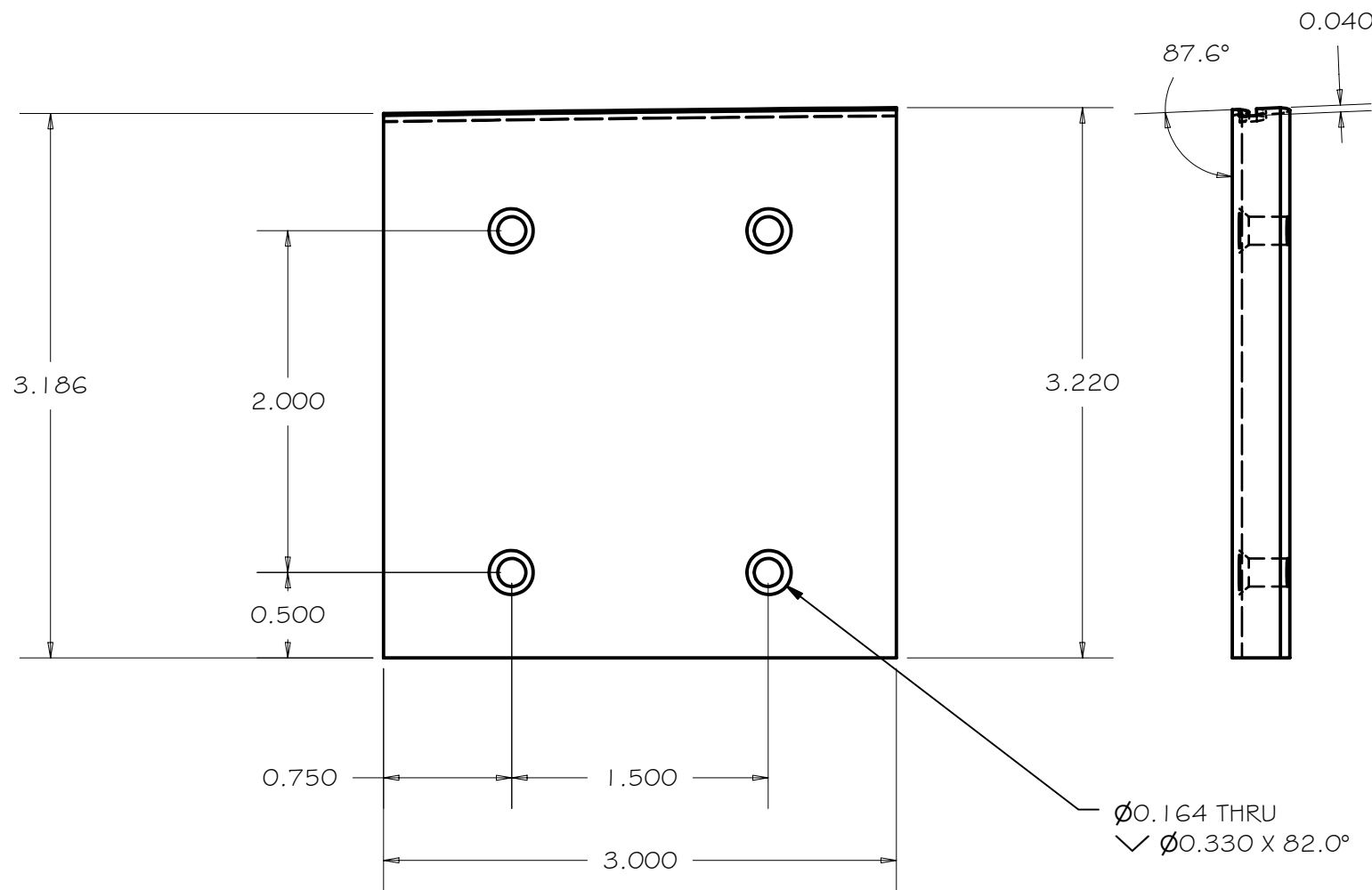
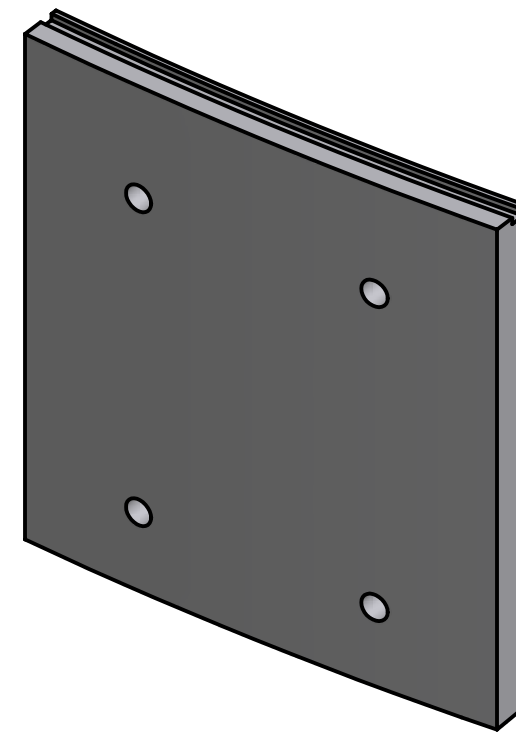
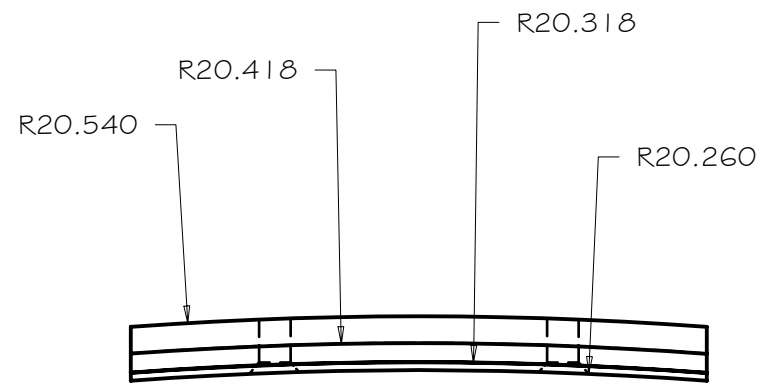


REV	DRWN	CHK'D	DATE	DESCRIPTION
B	VRW	VRW	12/16/04	ADD HOLES, REDRAW



TOLERANCES UNLESS OTHERWISE NOTED:  
 FRACTIONAL: 0"-6":  $\pm 1/64"$  6"-24":  $\pm 1/32"$   
 24"+:  $\pm 1/16"$   
 DECIMAL: X.X:  $\pm 0.1000"$  X.XX:  $\pm 0.0100"$   
 X.XXX:  $\pm 0.0050"$  X.XXXX:  $\pm 0.0001"$   
 ANGLES:  $\pm 0.5^\circ$  FINISH: 125 MICRO INCHES  
 BREAK ALL SHARP EDGES & CORNERS 1/64" MAX

MATERIAL	FINISH
STEEL	



DRAWN	vernon	2/20/2004
CHECKED		
DESIGNED	vernon	
ENGINEER	vernon	
QTY: 1		

PROJECT CODE		DWG NO	REV
NEXT ASSY		A2053	B
A2001			1/1

Cassegrain ADC

AXIAL CLAMP, FWD