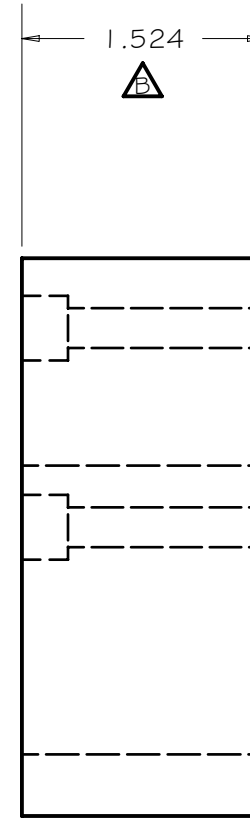
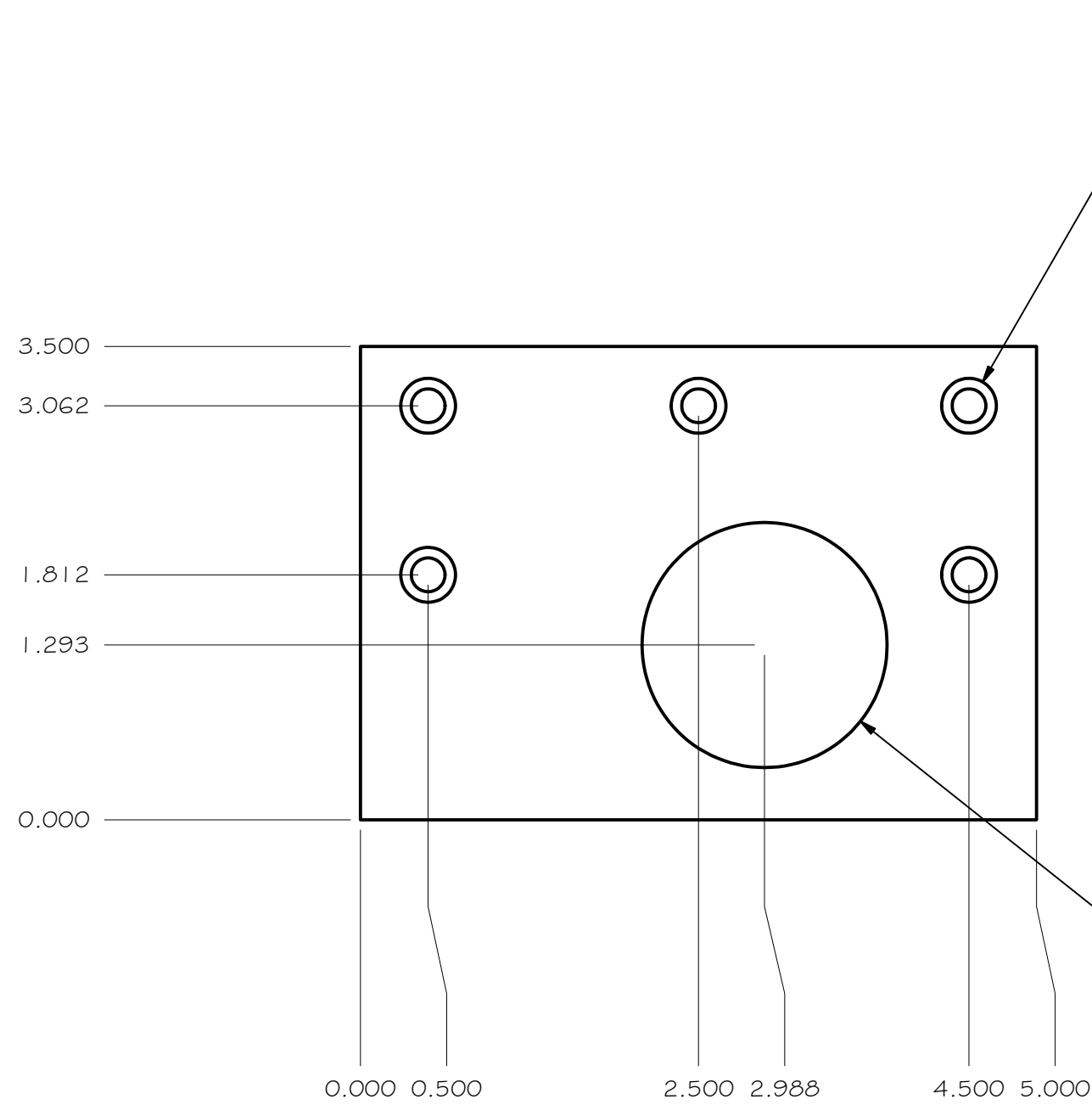


REV	DRWN	CHK'D	DATE	DESCRIPTION
B	VRW	VRW	5/11/05	UPDATE TO AS BUILT & CHANGE ROLLER



NOTE: 1.5" STOCK & SHIM TO A130 OK

TOLERANCES UNLESS OTHERWISE NOTED:
 FRACTIONAL: 0"-6": ±1/64" 6"-24": ±1/32"
 24"+: ±1/16"
 DECIMAL: X.X: ±0.1000" X.XX: ±0.0100"
 X.XXX: ±0.0050" X.XXXX: ±0.0001"
 ANGLES: ±0.5° FINISH: 125 MICRO INCHES
 BREAK ALL SHARP EDGES & CORNERS 1/64" MAX

MATERIAL: ALUMINUM
 FINISH:



DRAWN: vernon
 CHECKED:
 DESIGNED: vernon
 ENGINEER: vernon

QTY: 2

PROJECT CODE: A130
 DWG NO: A116
 TITLE: Cassegrain ADC
 ROLLER MOUNT, FLAT

PROJECT CODE: A130
 DWG NO: A116

PROJECT CODE: A130
 DWG NO: A116

REV: B
 1/1