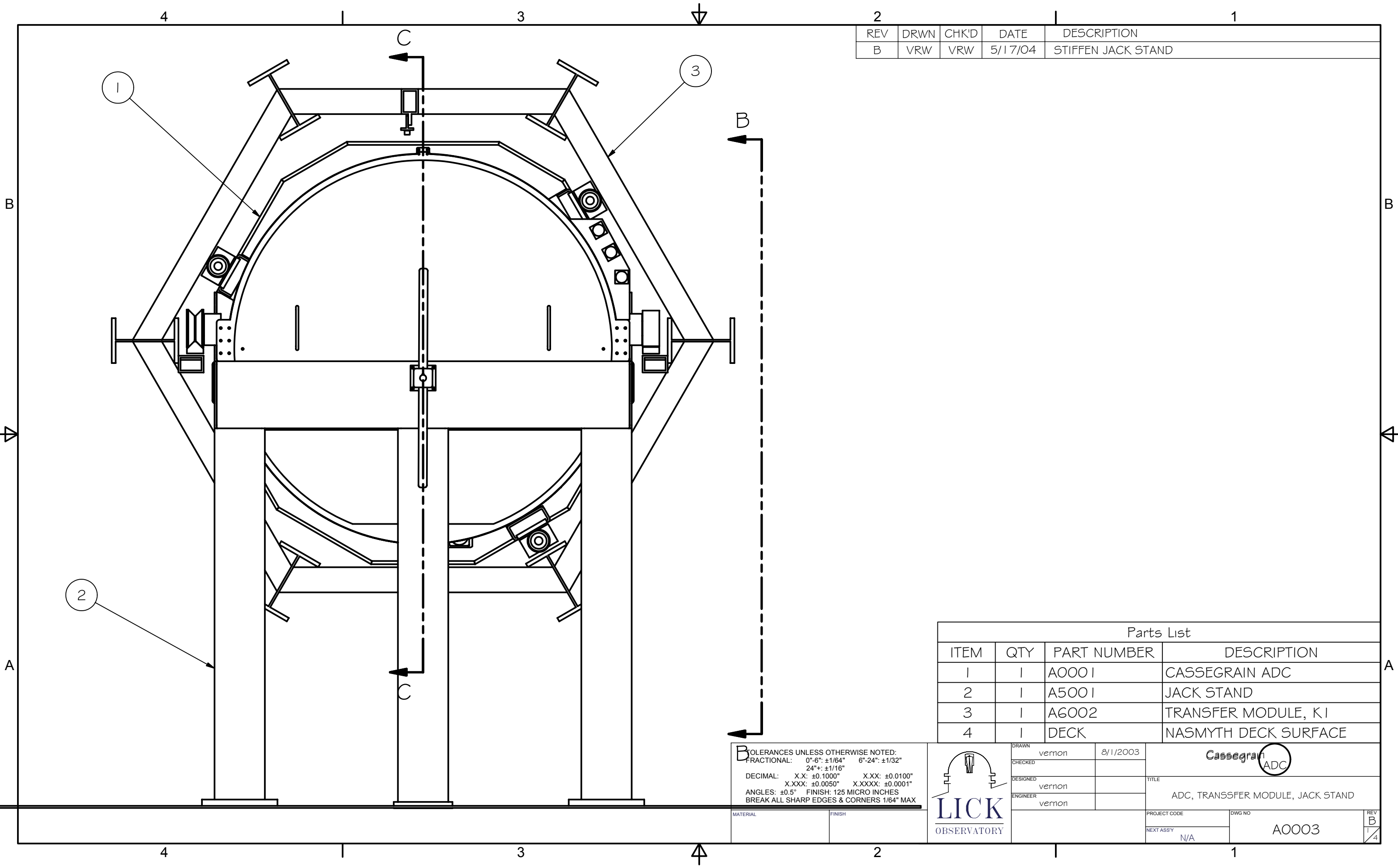
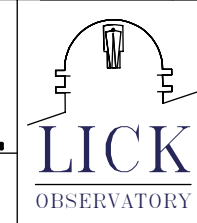


REV	DRWN	CHK'D	DATE	DESCRIPTION
B	VRW	VRW	5/17/04	STIFFEN JACK STAND



Parts List			
ITEM	QTY	PART NUMBER	DESCRIPTION
1	1	A0001	CASSEGRAIN ADC
2	1	A5001	JACK STAND
3	1	A6002	TRANSFER MODULE, K1
4	1	DECK	NASMYTH DECK SURFACE

TOLERANCES UNLESS OTHERWISE NOTED:
 FRACTIONAL: 0"-6": ±1/64" 6"-24": ±1/32"
 24"+: ±1/16"
 DECIMAL: X.X: ±0.1000" X.XX: ±0.0100"
 X.XXX: ±0.0050" X.XXXX: ±0.0001"
 ANGLES: ±0.5° FINISH: 125 MICRO INCHES
 BREAK ALL SHARP EDGES & CORNERS 1/64" MAX



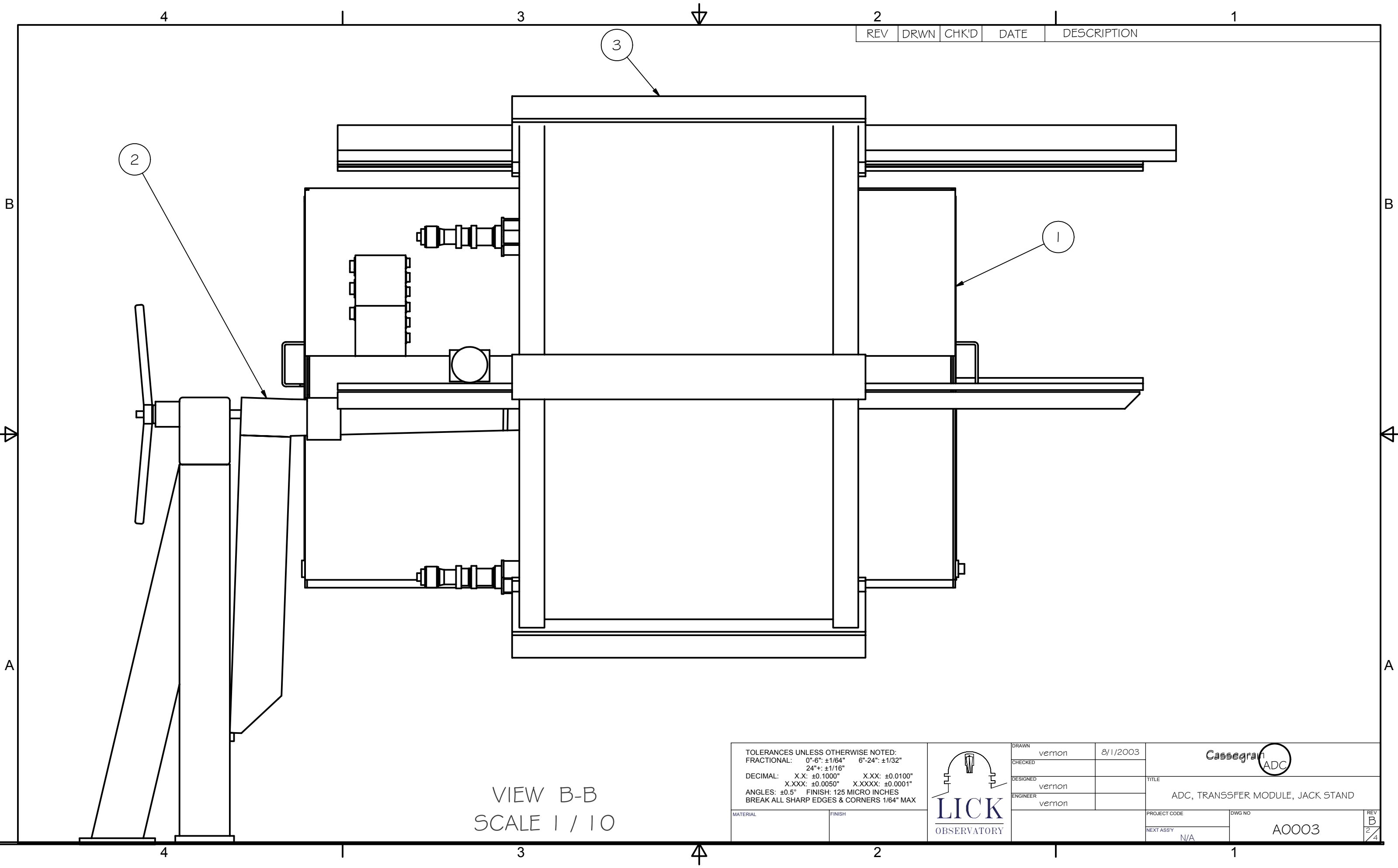
DRAWN: vernon 8/1/2003
 CHECKED: _____
 DESIGNED: vernon
 ENGINEER: vernon

Cassegrain ADC
 TITLE: ADC, TRANSFER MODULE, JACK STAND

MATERIAL: _____ FINISH: _____

PROJECT CODE: _____ DWG NO: A0003
 NEXT ASSY: N/A

REV B
1/4



REV	DRWN	CHK'D	DATE	DESCRIPTION

VIEW B-B
SCALE 1 / 10

TOLERANCES UNLESS OTHERWISE NOTED:
 FRACTIONAL: 0"-6": ±1/64" 6"-24": ±1/32"
 24"+: ±1/16"
 DECIMAL: X.X: ±0.1000" X.XX: ±0.0100"
 X.XXX: ±0.0050" X.XXXX: ±0.0001"
 ANGLES: ±0.5° FINISH: 125 MICRO INCHES
 BREAK ALL SHARP EDGES & CORNERS 1/64" MAX



DRAWN	vernon	8/1/2003
CHECKED		
DESIGNED	vernon	
ENGINEER	vernon	

Cassegrain ADC	
ADC, TRANSFER MODULE, JACK STAND	

MATERIAL	FINISH	PROJECT CODE	DWG NO	REV
			A0003	B
		N/A		2/4

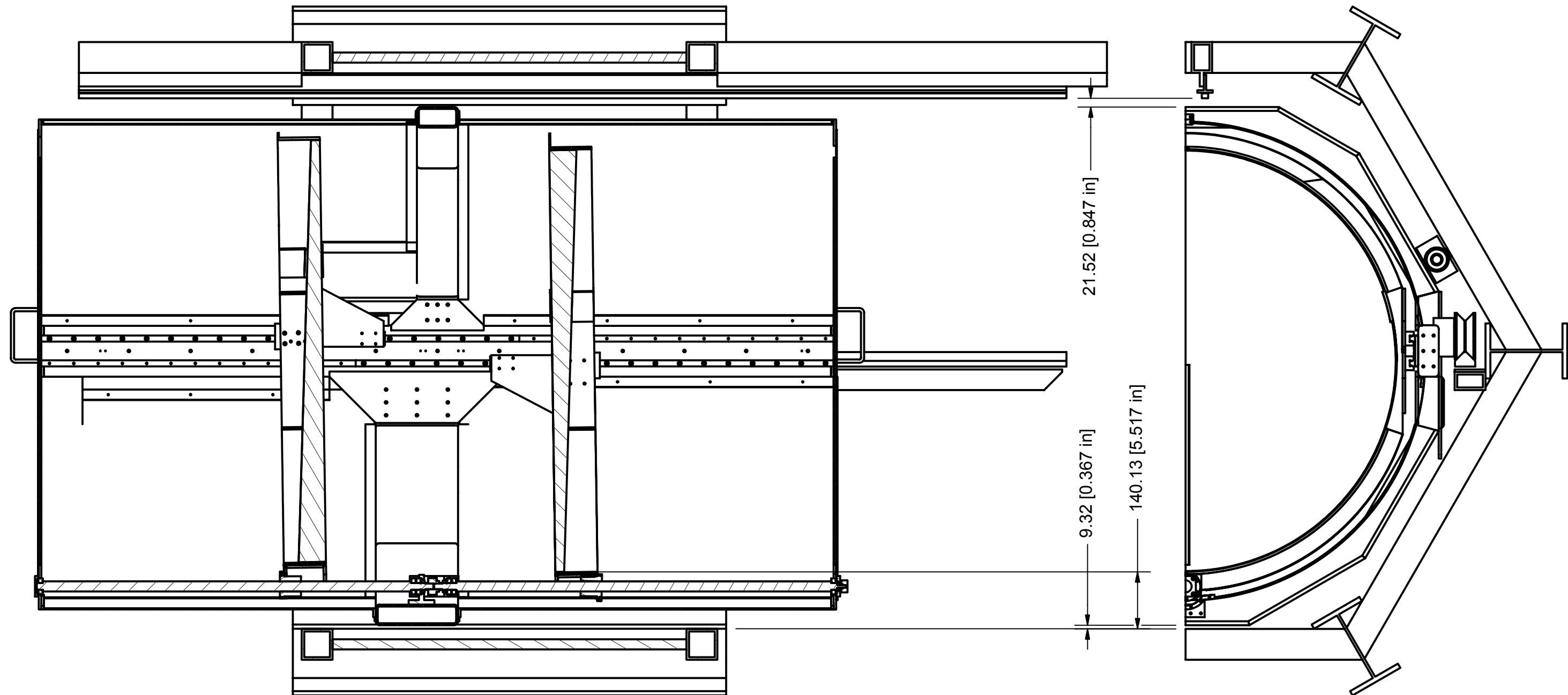
4

3

2

1

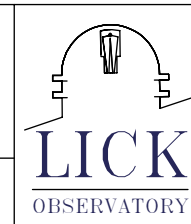
REV	DRWN	CHK'D	DATE	DESCRIPTION



SECTION C-C
SCALE 1 / 10

TOLERANCES UNLESS OTHERWISE NOTED:
 FRACTIONAL: 0"-6": ±1/64" 6"-24": ±1/32"
 24"+: ±1/16"
 DECIMAL: X.X: ±0.1000" X.XX: ±0.0100"
 X.XXX: ±0.0050" X.XXXX: ±0.0001"
 ANGLES: ±0.5° FINISH: 125 MICRO INCHES
 BREAK ALL SHARP EDGES & CORNERS 1/64" MAX

MATERIAL	FINISH



DRAWN	vernon	8/1/2003
CHECKED		
DESIGNED	vernon	
ENGINEER	vernon	

Cassegrain ADC	
ADC, TRANSFER MODULE, JACK STAND	

PROJECT CODE	DWG NO	REV
N/A	A0003	B
NEXT ASSY		3/4

4

3

2

1

4

3

2

1

REV	DRWN	CHK'D	DATE	DESCRIPTION

B

B

2

3

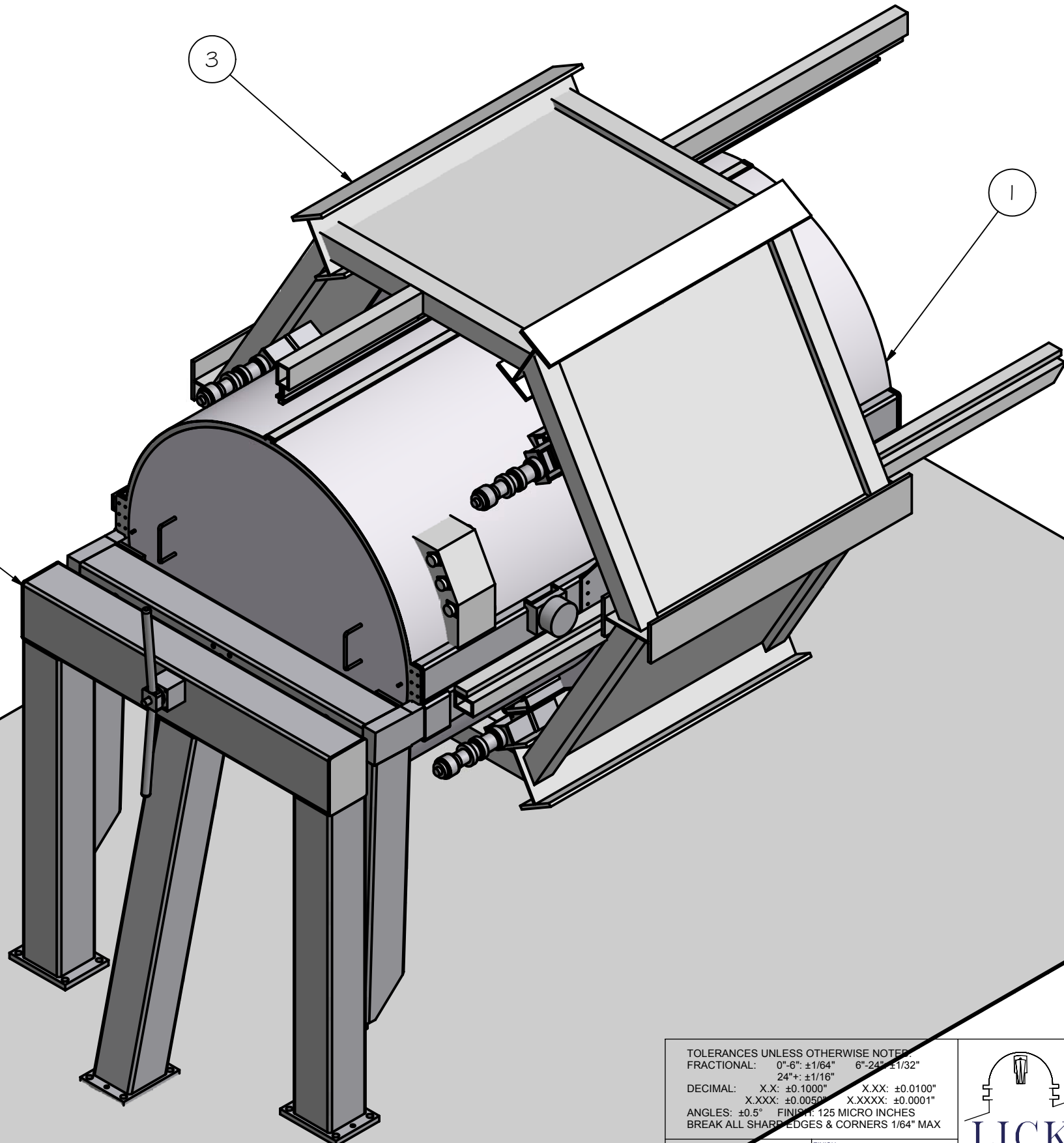
1

A

A

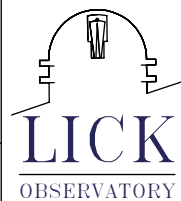
A

A



TOLERANCES UNLESS OTHERWISE NOTED:
 FRACTIONAL: 0"-6": ±1/64" 6"-24": ±1/32"
 24"+: ±1/16"
 DECIMAL: X.X: ±0.1000" X.XX: ±0.0100"
 X.XXX: ±0.0050" X.XXXX: ±0.0001"
 ANGLES: ±0.5° FINISH: 125 MICRO INCHES
 BREAK ALL SHARP EDGES & CORNERS 1/64" MAX

MATERIAL	FINISH



DRAWN	vernon	8/1/2003
CHECKED		
DESIGNED	vernon	
ENGINEER	vernon	

Cassegrain ADC	
ADC, TRANSFER MODULE, JACK STAND	

PROJECT CODE	DWG NO	REV
N/A	A0003	B
		4/4

4

3

2

1

A