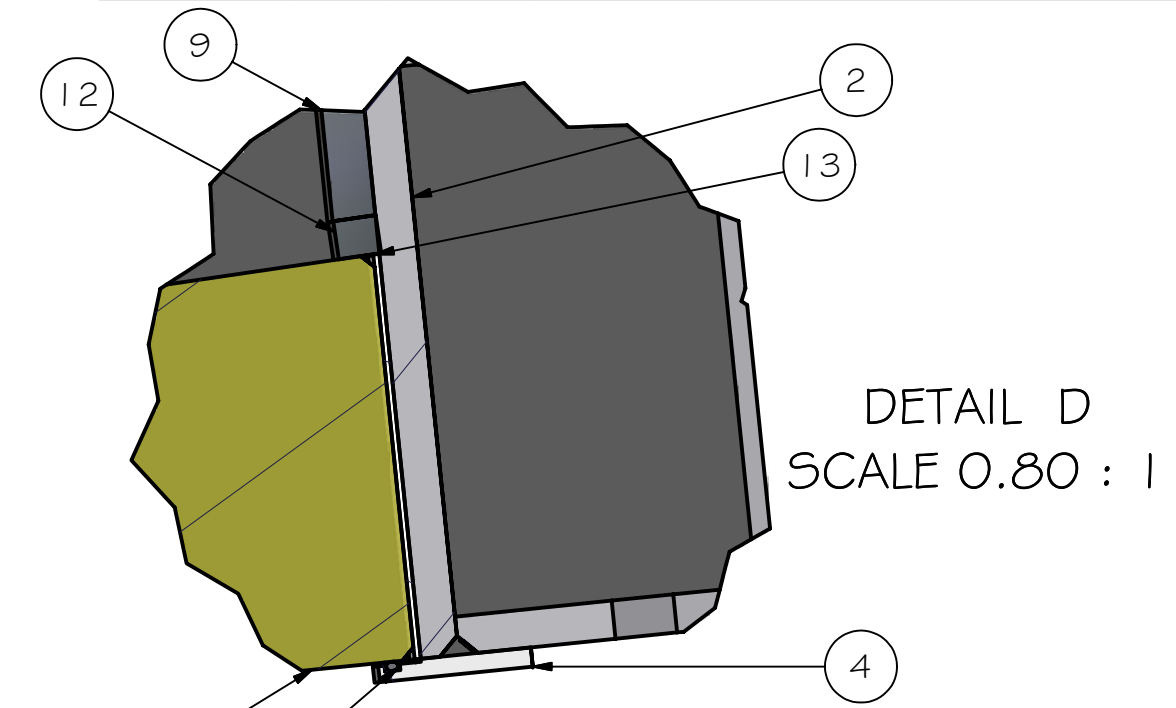
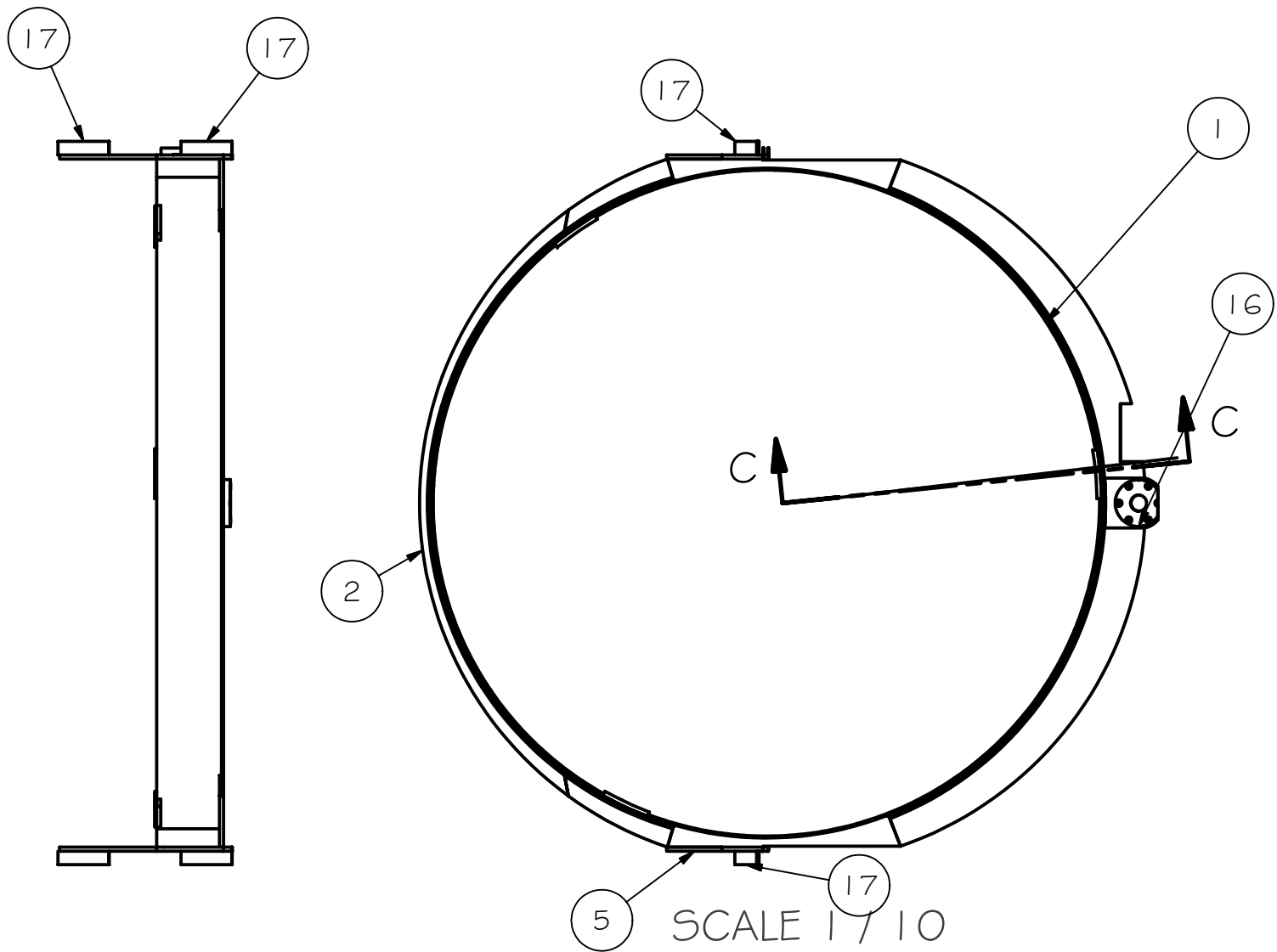
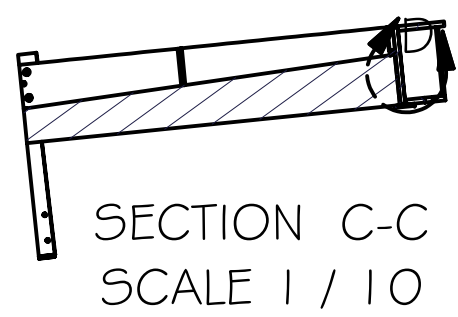
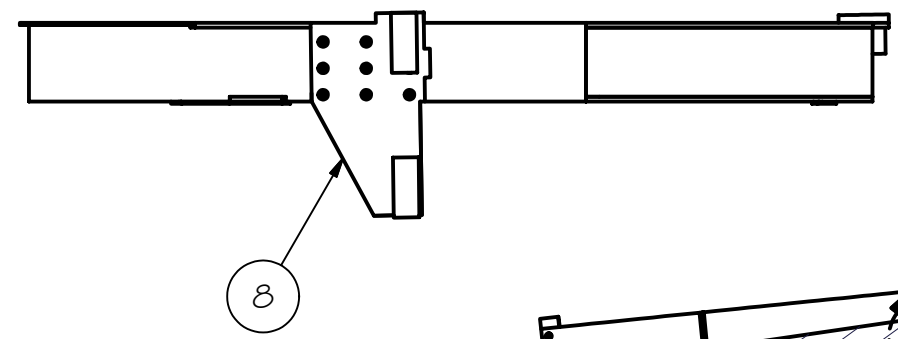


REV	DRWN	CHK'D	DATE	DESCRIPTION
-----	------	-------	------	-------------



Parts List

ITEM	QTY	PART NUMBER	DESCRIPTION
1	1	A2012	OPTIC ASSEMBLY
2	1	A2030	CELL WELDMENT, AFT
3	3	A2040	O-RING SECTION
4	3	A2041	RETAINER, OPTIC, AFT
5	1	A2042	SLIDE MOUNT
6	1	A2046	FIDUCAL TAB, LONG
7	1	A2047	FIDUCAL TAB, SHORT
8	1	A2048	SLIDE MOUNT
9	1	A2050	AXIAL CLAMP
10	1	A2051	AXIAL CLAMP
11	1	A2052	AXIAL CLAMP
12	3	A2060	AXIAL SPACER
13	1	A2061	RADIAL SPACER
14	1	A2062	RADIAL SPACER
15	1	A2063	RADIAL SPACER
16	1	BALL NUT	THK BNF-2505-5
17	4	BALL SLIDE	THK SHS-20-V SLIDE



TOLERANCES UNLESS OTHERWISE NOTED:
 FRACTIONAL: 0"-6": ±1/64" 6"-24": ±1/32"
 24"+: ±1/16"
 DECIMAL: X.X: ±0.1000" X.XX: ±0.0100"
 X.XXX: ±0.0050" X.XXXX: ±0.0001"
 ANGLES: ±0.5° FINISH: 125 MICRO INCHES
 BREAK ALL SHARP EDGES & CORNERS 1/64" MAX



DRAWN: vernon 9/19/2003
 CHECKED: _____
 DESIGNED: vernon
 ENGINEER: vernon

Cassegrain ADC
 TITLE: CELL ASSEMBLY, AFT

MATERIAL	FINISH	QTY: 1	PROJECT CODE: A0001	DWG NO: A2002	REV: A
----------	--------	--------	---------------------	---------------	--------